



# SPA-310 • SFA-291 Ice Dispensers

Model

- SPA-310       SFA-291

**SPA Model**

Designed for ice bucket filling in hotels, motels, and resorts

With Indigo and Indigo NXT ice machines you can program the ice machines to be off certain hours of the day so that while the hotel guests are sleeping, the ice machine can be too!



Indigo NXT iT0450 Ice Machine  
SPA-310 Ice Dispenser



Indigo NXT iT0450 Ice Machine  
SFA-291 Ice & Water Dispenser

**SFA Model**

Designed for "large" container ice filling.

Built-in water valve



## Standard Features

- 180 lbs. (82 kgs.) ice storage capacity. Accepts 22" (55.88 cm) or 30" (76.2 cm) wide Manitowoc ice machine.
- Only 30" (76.2 cm) wide, 32" (81.28 cm) deep, and 82" high (208.28 cm).
- Patented rocking chute dispense mechanism reduces in-flight ice and ice spillage with quick on/off activation.
- Efficient built-in agitator assures 100% dispensing. Oversized drain pan collects larger quantity of ice overflow.
- DuraTech™ exterior provides superior corrosion resistance. Stainless finish with innovative clear-coat resists fingerprints and dirt.

## Warranty

- 5-year parts and 5-year labor coverage on ice machine evaporator.
- 5-year parts and 3-year labor coverage on ice machine compressor.
- 3-year parts-and-labor coverage on all other ice machine and dispenser components.

## Ice Shape



**Half Dice**  
3/8" x 1 1/8" x 7/8"  
(.95 x 2.86 x 2.22 cm)

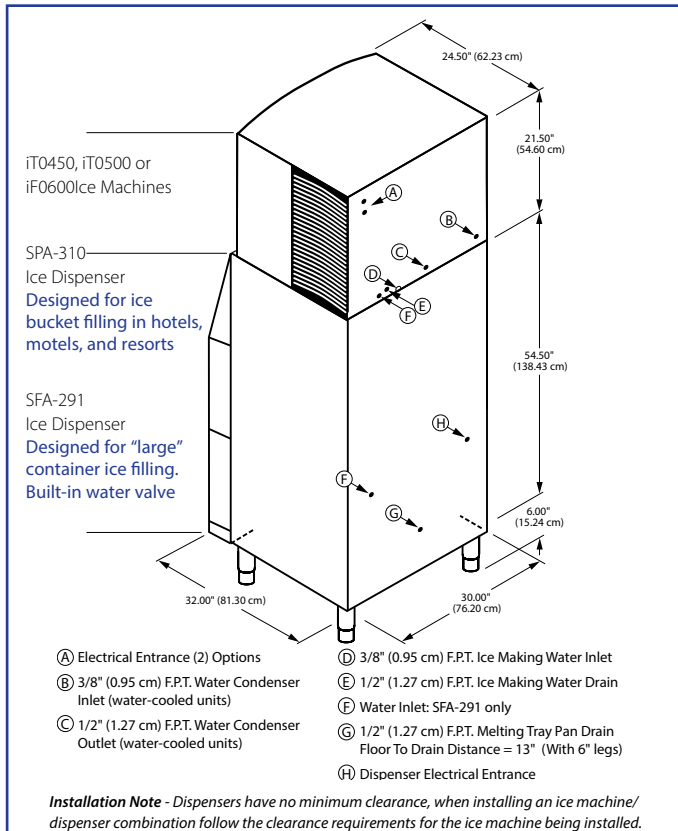


**Dice**  
7/8" x 7/8" x 7/8"  
(2.22 x 2.22 x 2.22 cm)



COMPANY WITH  
QUALITY SYSTEM  
CERTIFIED BY DNV  
= ISO 9001:2008 =

Welbilt reserves the right to make changes to the design or specifications without prior notice.



### Ice Machine Electric

**Note:** Dispenser will accept single 22" or 30" wide ice machine.\* Ice machine ordered separately. Choose Dice or Half Dice cube size. Refer to ice machine specification sheet for electrical and complete AHRI standard ratings.

**Dispenser Electric:**

115/60/1. (208-230/60/1 and 230/50/1 also available.)

**Maximum Circuit Fuse Size:**

15.0 amps. HACR-type circuit breakers can be used in place of fuses.

**Dispenser Electrical Connection:**

6' power cord, rated 125 VAC, 16-3 conductors with standard 3-prong, straight-blade, ground-type plug (NEMA configuration 5-15P).

**Motor:**

1.6 amps maximum. Permanently lubricated.

**Service Access:**

Dispenser door removes easily to access components.

**Model Options:**

SPA-310 push-for-ice rocking chute, SFA-291 has a water valve option.

\*22" wide ice machines on 30" wide dispensers require K-00365 Adapter & K-00348 Baffle.

**Series iF0300 (115 volt)--Available June 2018**

Model	Ice Shape	Ice Production 24 Hours			
		70°Air/50°F Water		90°Air/70°F Water	
		lbs.	kgs.	lbs.	kgs.
IDF0300A	dice	310	141	225	102
IDF0300W	dice	300	136	260	118
IYF0300A	half-dice	310	141	235	107
IYF0300W	half-dice	300	136	260	118

**Series iT0500 (115 volt)**

Model	Ice Shape	Ice Production 24 Hours			
		70°Air/50°F Water		90°Air/70°F Water	
		lbs.	kgs.	lbs.	kgs.
IDT0500A	dice	520	236	400	181
IDT0500W	dice	500	227	400	181
IYT0500A	half-dice	550	249	440	200
IYT0500W	half-dice	535	243	460	209

**Series iT0500 (115 volt)**

Model	Ice Shape	Ice Production 24 Hours			
		70°Air/50°F Water		90°Air/70°F Water	
		lbs.	kgs.	lbs.	kgs.
IDT0450A	dice	470	213	358	162
IDT0450W	dice	430	195	360	163
IYT0450A	half-dice	490	222	378	171
IYT0450W	half-dice	470	213	420	191

**Series iF0600 (208-230 volt) -- Available June 2018**

Model	Ice Shape	Ice Production 24 Hours			
		70°Air/50°F Water		90°Air/70°F Water	
		lbs.	kgs.	lbs.	kgs.
IDF0600A	dice	632	287	490	222
IDF0600W	dice	661	300	575	261
IYF0600A	half-dice	635	288	555	252
IYF0600W	half-dice	700	318	580	263

**Lumince® II Growth Inhibitor** reduces yeast and bacteria growth for a cleaner ice machine.



**ArcticPure® Water Filters**

**AR-Pre** filters, dirt, rust and sediment.



**AR-10000** reduces: scale, chlorine taste, and odor. Ice looks and tastes better.

