



Conforms to UL STD. 763 and NSF Std. 08
Conforms to CSA Std. C22.2

CICLONE 15 - 23 - 30

Hand-held mixer



- 10" (250 mm) and 14" (350 mm) interchangeable, easy to replace stainless steel shafts
- Lightweight and ergonomically designed to reduce muscle strain and fatigue
- Prepares mixtures, soups and sauces, liquefies soups, purees fruits and vegetables directly into the cooking pot
- Safety switch and lock button
- Double insulation motor with effective ventilation system prevents overheating, machine works longer
- Drill-like variable speed control available (VV versions)

Features

Technical:

- Effective ventilation system prevents overheating, so that the machine keeps working longer.
- Exclusive drill-like blade speed control makes operation easier and give you better results.
- Exclusive feed tube "bayonet" slot. Less time is required to replace shafts and whip.
- High quality material used gives machine longer life.

Safety:

- Machine can be turned on only using both hands. Avoids possible hand injuries.
- Double insulation from water keeps electrical parts safe.

Sanitary:

- ABS plastic and stainless steel components guarantee maximum hygiene.
- The shafts and the whip can be easily disassembled for fast and thorough cleaning. Disassembling tool comes standard.

Specifications

Construction:

Highly resistant ABS plastic with aluminum and steel details.

Motor 15:

(185W), gear-driven.

Motor 23:

(230W), gear-driven.

Motor 30:

(300W), gear-driven.

Electrical 15:

120V AC, 60Hz, 1.65 Amp. (220V, 50Hz available on request).

Electrical 23:

120V AC, 60Hz, 1.9 Amp. (220V, 50Hz available on request).

Electrical 30:

120V AC, 60Hz, 2.5 Amp. (220V, 50Hz available on request).

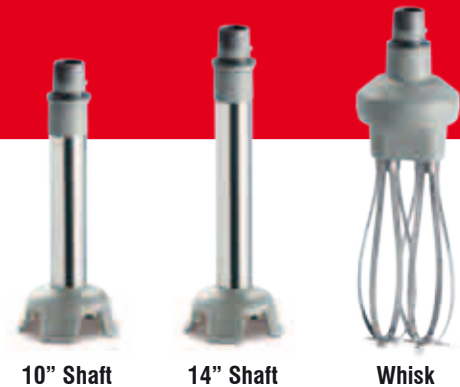
Plug & Cord:

Attached plug, flexible, 2 wire SJ 16 AWG, 8" long cord.

Controls:

Drill-like push button. On VV versions also controls blade RPM. Can be activated only when safety locking button is pressed. Second locking button keeps machine at full speed.





10" Shaft

14" Shaft

Whisk



Feed tube "bayonet" slot. Changing shaft is quick & easy.



ON/OFF system. Machine must be turned on using both hands. More safety!

CAPACITY CHART

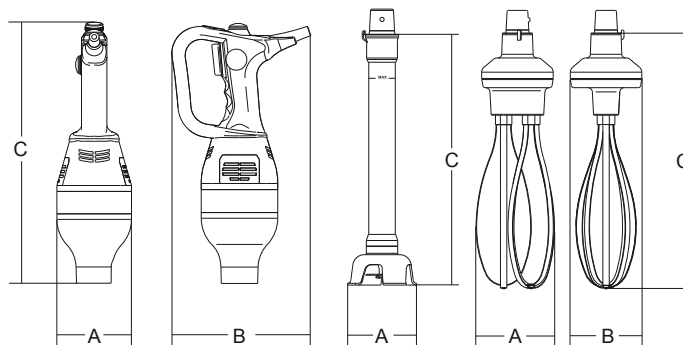
		Model		
		Ciclone 15	Ciclone 23	Ciclone 30
SHAFT LENGTH	10"	8 gal.	10 gal.	12 gal.
	250 mm	32 qts. 30 lt.	40 qts. 38 lt.	48 qts. 45 lt.
	14"	10 gal.	12 gal.	15 gal.
	350" mm	40 qts. 38 lt.	48 qts. 45 lt.	60 qts. 57 lt.



Ergonomic handle



Exclusive ventilation system. Machine works longer!



	Power	Power source	Knives revolutions	A	B	C	Net weight	Shipping	Gross weight
	watt/Hp		r.p.m.	inch.	inch.	inch.	lbs.	inch.	lbs.
Ciclone 15	185/0,20	120V AC, 60Hz, 1.65 Amp	12.000	3 ¹⁵ / ₁₆ "	7 ³ / ₁₆ "	13 ³ / ₈ "	4	17 ⁵ / ₁₆ "x 13"x 5 ⁷ / ₈ "	9
Ciclone 15 VV	185/0,20	120V AC, 60Hz, 1.65 Amp	1.000 ÷ 12.000	3 ¹⁵ / ₁₆ "	7 ³ / ₁₆ "	13 ³ / ₈ "	4	17 ⁵ / ₁₆ "x 13"x 5 ⁷ / ₈ "	9
Ciclone 23	230/0,30	120V AC, 60Hz, 1.9 Amp	12.000	3 ¹⁵ / ₁₆ "	7 ³ / ₁₆ "	13 ³ / ₈ "	5	17 ⁵ / ₁₆ "x 13"x 5 ⁷ / ₈ "	9
Ciclone 23 VV	230/0,30	120V AC, 60Hz, 1.9 Amp	1.000 ÷ 12.000	3 ¹⁵ / ₁₆ "	7 ³ / ₁₆ "	13 ³ / ₈ "	5	17 ⁵ / ₁₆ "x 13"x 5 ⁷ / ₈ "	9
Ciclone 30	300/0,40	120V AC, 60Hz, 2.5 Amp	12.000	3 ¹⁵ / ₁₆ "	7 ³ / ₁₆ "	13 ¹¹ / ₁₆ "	6	17 ⁵ / ₁₆ "x 13"x 5 ⁷ / ₈ "	9
Ciclone 30 VV	300/0,40	120V AC, 60Hz, 2.5 Amp	1.000 ÷ 12.000	3 ¹⁵ / ₁₆ "	7 ³ / ₁₆ "	13 ¹¹ / ₁₆ "	6	17 ⁵ / ₁₆ "x 13"x 5 ⁷ / ₈ "	9
Shaft 10"	-	-	-	Ø 3 ¹¹ / ₁₆ "	-	9 ¹³ / ₁₆ "	-	-	-
Shaft 14"	-	-	-	Ø 3 ¹¹ / ₁₆ "	-	12 ⁵ / ₈ "	-	-	-
Whisk	-	-	-	4 ³ / ₁₆ "	4 ⁷ / ₁₆ "	13 ¹¹ / ₁₆ "	2	20 ¹ / ₂ "x 8 ¹ / ₄ "x 9 ¹³ / ₁₆ "	4

