

APOLLO - MERCURIO

Juicer



Easy cleaning



Optional Stainless Steel Lid



APOLLO



APOLLO L

- Commercial, imposing, efficient and easy to use heavy-duty citrus juicer range
- Anodized aluminum (Mercurio), ABS (Apollo) body, with no edges or seams for easy cleaning
- Removable AISI 304 stainless steel (dishwasher safe) juice bowl
- Reamer designed to squeeze with the maximum efficiency
- Patented, safety interlock reamer allows activating the juicer when the product is pushed down
- Powerful, ventilated motor with gear drive
- L versions feature a top lever with a stainless steel cup and deflector to protect from any juice ejection
- MERCURIO is equipped with 2 interchangeable cones to accommodate different sized fruits

Features

Technical:

- The interlock system activates the juicer when the product is pushed down on the reamer. No need to start and stop the machine manually, increases yield.
- The 1/4 Hp motor is fan cooled. Its sealed ball bearing system and the direct gear transmission give a quiet and long lasting operation.
- The tall juice collector reduces splashes to minimum.
- The large spout allows for faster work.
- The internal structure is made from stainless steel for sturdiness and longer life.

Sanitary:

- Only hygienic materials, ABS and stainless steel, enter into contact with the fruit.
- The reamer and the juice collector are easily removable for cleaning.

Specifications

Construction Apollo: Stainless steel juice bowl; ABS thermoplastic base and reamer.

Construction Mercurio: Stainless steel juice bowl; anodized aluminum base; ABS thermoplastic reamer and cones.

Motor: 1/4 Hp (150 W), direct transmission.
Electrical: 120V AC, 60Hz, 1.54 Amp. (220V, 50Hz available on request).
Plug & Cord: Flexible, 3 wire SJT AWG 18, 6' long.
Controls: ON / OFF button.



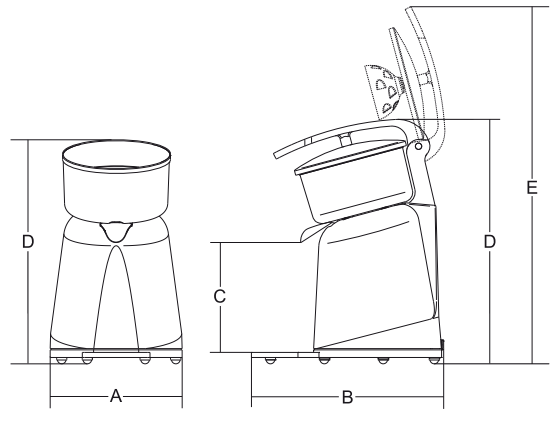
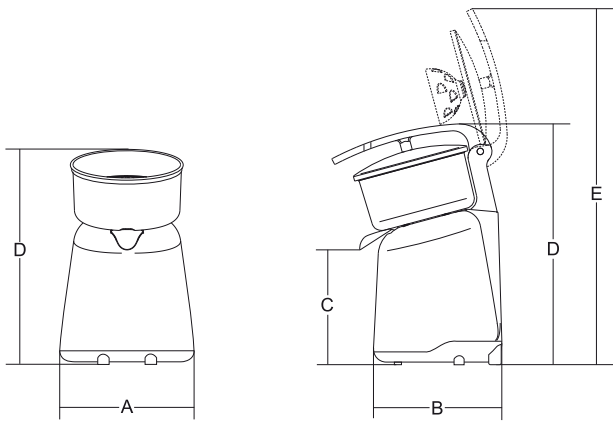
Mercurio



Mercurio L



Interchangeable cones to accomodate different sized fruits



	Power	Power source	Revolutions/min.	A	B	C	D	E	Net weight	Shipping	Gross weight
	watt/Hp		r.p.m.	inch.	inch.	inch.	inch.	inch.	lbs.	inch.	lbs.
Apollo	150/0,20	120V AC, 60Hz, 1.54 Amp.	320	8 ¹ / ₄ "	8 ¹ / ₄ "	6 ¹ / ₈ "	11"	-	7	8 ¹¹ / ₁₆ " x 11" x 14 ⁹ / ₁₆ "	9
Apollo L	150/0,20	120V AC, 60Hz, 1.54 Amp.	320	8 ¹ / ₄ "	10 ⁷ / ₁₆ "	6 ¹ / ₈ "	15 ³ / ₁₆ "	18 ⁷ / ₈ "	8	8 ¹¹ / ₁₆ " x 11" x 14 ⁹ / ₁₆ "	10
Mercurio	150/0,20	120V AC, 60Hz, 1.54 Amp.	320	8 ¹ / ₄ "	11 ¹³ / ₁₆ "	6 ¹³ / ₁₆ "	14"	-	11	15 ³ / ₈ " x 11 ¹³ / ₁₆ " x 17 ⁵ / ₁₆ "	13
Mercurio L	150/0,20	120V AC, 60Hz, 1.54 Amp.	320	8 ¹ / ₄ "	11 ¹³ / ₁₆ "	6 ¹³ / ₁₆ "	15 ³ / ₁₆ "	22 ⁷ / ₁₆ "	13	15 ³ / ₈ " x 11 ¹³ / ₁₆ " x 17 ⁵ / ₁₆ "	15

