



Conforms to UL STD. 763 and NSF Std. 08
Conforms to CSA Std. C22.2

TC 32 - 42 MONTANA

heavy duty meat grinders



TC 32 Montana



- Powerful – 4 and 7 Hp – floor grinders, designed for large volume meat grinding operations
- Complete stainless steel construction to withstand heavy-duty application and ensure the highest levels of hygiene
- The planetary gear motor provides high-torque and continuous operation yielding up to 7500 lbs./hour
- Fast and easy breakdown and assembly without tools for thorough cleaning
- Supplied with one simple cut knife and plate
- The TC 32 Montana TOP features a removable feed tray and the optional FORMAT S, Semi-Automatic Hamburger Patty Maker for 4" patties

Features

Technical

- Completely made from AISI 304 stainless steel.
- Square feeding neck allows for faster processing cycles.
- Stainless steel self-sharpening knife and plate.
- Stainless steel knife, stainless steel plate and worm and plate removing tool come standard.
- 5 different plates available (3/16", 7/32", 5/26", 3/8", 9/16").
- Only 2-3 oz. meat remaining in the grinding set at the end of the grinding operation.

Safety

- An interlock stops the machine when removing the feed tray.
- A guard is permanently mounted to the sides of the feed tray to protect from accidental contact with the worm.
- A safety interlock stops the machine when removing the grinding set.
- Overcurrent and no-volt release protection

Sanitary

- The machine can be completely disassembled for an easy and accurate cleaning.
- The grinding set is quickly disassembled for faster cleaning and sanitation.

Options

- FORMAT S, Semi-Automatic Hamburger Patty Maker, for TC 32 Montana TOP only

Specifications

- Motor TC 32:** 4 Hp (2940 W), fan cooled.
Motor TC 42: 7 Hp (5,145 W), fan cooled.
Electrical: 220V AC, 60Hz, 3-phase.
Plug and Cord: Attached, flexible, 4 wire (3PH+1G) SJT 12 AWG, 6'4" long cord.
Switch: Rotary ON/OFF
 Stainless steel push-button keypad, IP 67 waterproof protection for TC 32 Montana TOP

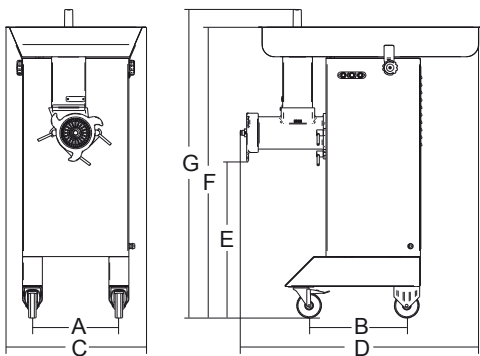




TC 42 Montana



FORMAT S Semi-Automatic Hamburger Patty Maker, for TC 32 Montana TOP only



	Power	Power source	Average TC output/h	Standard plate	A	B	C	D	E	F	G	Net weight	Shipping	Gross weight
	watt/Hp		lbs./h.	Ø inch.	inch.	inch.	inch.	inch.	inch.	inch.	inch.	lbs.	inch.	lbs.
TC 32 Montana	2940/4	220V 60Hz 3-phase	1543	0 ¹¹ / ₆₄ "	13 ⁴⁵ / ₆₄ "	15 ¹⁵ / ₃₂ "	22 ¹³ / ₆₄ "	35 ⁵⁵ / ₆₄ " - 40 ¹⁵ / ₆₄ "	9 ¹ / ₁₆ "	46 ¹ / ₁₆ "	48 ¹³ / ₁₆ "	198	41 ¹¹ / ₃₂ " x 37 ¹³ / ₃₂ " x 77 ¹¹ / ₆₄ "	253
TC 32 Montana TOP	2940/4	220V 60Hz 3-phase	1543	0 ¹¹ / ₆₄ "	13 ⁴⁵ / ₆₄ "	15 ¹⁵ / ₃₂ "	22 ¹³ / ₆₄ "	35 ⁵⁵ / ₆₄ " - 40 ¹⁵ / ₆₄ "	9 ¹ / ₁₆ "	46 ¹ / ₁₆ "	48 ¹³ / ₁₆ "	198	41 ¹¹ / ₃₂ " x 37 ¹³ / ₃₂ " x 77 ¹¹ / ₆₄ "	253
TC 42 Montana Hp7	5145/7	220V 60Hz 3-phase	2645 - 2866	0 ¹¹ / ₆₄ "	13 ⁴⁵ / ₆₄ "	15 ¹⁵ / ₃₂ "	22 ¹³ / ₆₄ "	38 ⁵ / ₁₆ " - 40 ¹⁵ / ₆₄ "	7 ³ / ₃₂ "	46 ¹ / ₁₆ "	48 ¹³ / ₁₆ "	246	41 ¹¹ / ₃₂ " x 37 ¹³ / ₃₂ " x 77 ¹¹ / ₆₄ "	302