

# IS 8 - 12 - 16 X

manual sausage stuffers

IS 16 X



IS 8 X



- Manual sausage stuffers made completely of stainless steel
- Hardened steel gears sliding on ball bearings, piston rack sliding on heavy-duty teflon bushings to withstand the pressure of the hardest sausages
- 2-speed gear drive
- 3 nozzles - 3/8", 3/4", 1" - as standard
- Easy and fast breakdown for cleaning
- The vertical model IS 12 VX features a no-spillage lock pin to conveniently load the product without removing the cylinder

## Features

### Technical

- Complete stainless steel construction.
- Stainless steel 18/10 cylinder with no edge inside and no weld rests.
- Hardened steel gears sliding on bearings.
- System of forward-backward feeding with two speeds.
- The piston valve allows excess air to escape and closes when the piston touches the meat.

### Sanitary

- Can be completely disassembled for an easy and accurate cleaning



Funnel storage



Tilt-cylinder with no-spillage lock pin

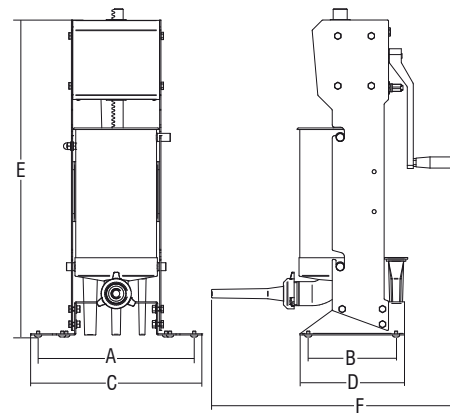
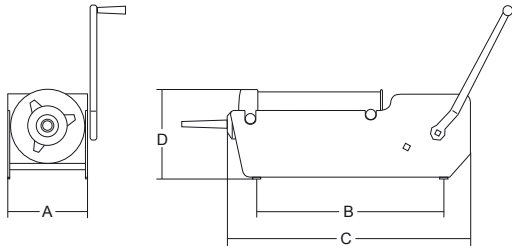


Product loading without removing cylinder



Easy cleaning

IS 12 VX



	Cylinder capacity	Cylinder length	Cylinder diameter	Piston stroke	Ø Serie exhaust funnels	A	B	C	D	E	F	Net weight	Shipping	Gross weight
	lbs	inch.	Ø inch.	inch.	inch.	inch.	inch.	inch.	inch.	inch.	inch.	lbs.	inch.	lbs.
<b>IS 8 X</b>	17	14 <sup>9</sup> / <sub>16</sub> "	6 <sup>1</sup> / <sub>2</sub> "	16 <sup>9</sup> / <sub>16</sub> "	3/8" - 3/4" - 1"	7 <sup>7</sup> / <sub>8</sub> "	16 <sup>7</sup> / <sub>8</sub> "	26"	8 <sup>11</sup> / <sub>16</sub> "	-	-	41	28 <sup>3</sup> / <sub>4</sub> " x 10 <sup>1</sup> / <sub>4</sub> " x 9 <sup>13</sup> / <sub>16</sub> "	44
<b>IS 16 X</b>	35	19 <sup>11</sup> / <sub>16</sub> "	7 <sup>7</sup> / <sub>8</sub> "	22 <sup>1</sup> / <sub>16</sub> "	3/8" - 3/4" - 1"	9 <sup>7</sup> / <sub>16</sub> "	22 <sup>5</sup> / <sub>8</sub> "	32 <sup>5</sup> / <sub>16</sub> "	9 <sup>13</sup> / <sub>16</sub> "	-	-	51	35 <sup>1</sup> / <sub>16</sub> " x 12 <sup>3</sup> / <sub>16</sub> " x 11"	54
<b>IS 12 VX</b>	25	14 <sup>15</sup> / <sub>16</sub> "	7 <sup>7</sup> / <sub>8</sub> "	16 <sup>9</sup> / <sub>16</sub> "	3/8" - 3/4" - 1"	15 <sup>3</sup> / <sub>4</sub> "	7 <sup>1</sup> / <sub>2</sub> "	17 <sup>1</sup> / <sub>8</sub> "	9 <sup>13</sup> / <sub>16</sub> "	31 <sup>1</sup> / <sub>4</sub> "	23 <sup>11</sup> / <sub>16</sub> "	52	35 <sup>1</sup> / <sub>16</sub> " x 12 <sup>3</sup> / <sub>16</sub> " x 11"	57