



Conforms to UL STD. 763 and NSF Std. 08

MIRRA 220 - 250 - 300C - 300 Plus

9" , 10" and 12" Slicers



Mirra 250



- High-quality, stylish, lightweight and compact space saving design
- Easy to carry for catering needs
- The only ones in their class featuring a fan-cooled motor to avoid overheating
- Safety hand guard mounted to the carriage
- The easy, fast breakdown and the increased blade and machine body gap makes cleaning a breeze
- Mirra 300 Plus features a great cutting capacity in a compact footprint, a powerful motor and a permanent blade rim guard.

Features

Technical:

- The slide shaft is made of ground, chromed steel for a smoother operation.
- The high-quality bushings and ball bearings are self-lubricating.
- The dial thickness control cam system allows for an always precise cut.

Safety:

- A safety cover is placed under the motor and the electrical components.
- The hopper features an exclusive heavy duty plastic protection to keep operator's hand at a safe distance from the blade while operating the slicer.

Sanitary:

- Easy to clean aluminum alloy construction does not crack or stain.
- The carriage and the blade cover are quickly removable without tools.

Specifications

- Operation:** Gravity feed.
- Construction:** Polished, anodized aluminum alloy.
- Knife:** One piece, chromium plated 100Cr6 forged carbon steel blade.
- Sharpener:** Built-in, removable two stone dual action.
- Slice thickness:** Infinitely variable up to 1/2"
- Motor 220-250-300C:** 0,25 Hp (185W), belt-driven, air cooled.
- Motor 300:** 0.33 Hp (245W), up to 0.5 Hp peak, belt-driven, fan cooled.
- Electrical 220-250-300C:** 120V AC, 60Hz, 1.55 Amp. (220V, 50Hz available on request).
- Electrical 300:** 120V AC, 60Hz, 1.8A (220V, 50Hz available on request).
- Plug & Cord:** Attached, flexible, 3 wire SJT AWG 18, 6'4" long.
- Switch:** On/Off button.

SIRMAN USA, Inc. - 9490 Franklin Avenue - Franklin Park, IL 60131 - U.S.A. Phone: +1 847-288-9500 - Fax: +1 847-288-9501

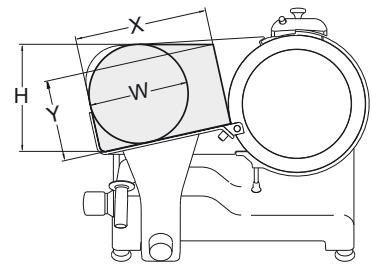
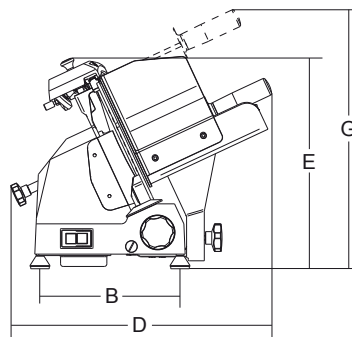
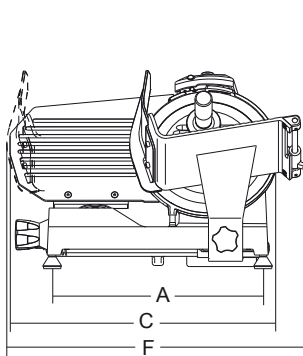




Mirra 300 PLUS



Mirra 300 C



	Ø Blade	Motor	Cut thickness	Blade rpm	Carriage stroke	Hopper	A	B	C	D	E	F	G	X	Y	H	W	Net weight	Shipping	Gross weight
	mm/inch	watt/Hp	inch.	rpm	inch.	inch.	inch.	inch.	inch.	inch.	inch.	inch.	inch.	inch.	inch.	inch.	inch.	lbs.	inch.	lbs.
Mirra 220	220/9"	185-0,25	½"	408	9 5/8"	9 1/16" x 9 1/16"	15 9/16"	9 5/8"	18 7/8"	22 1/16"	14 9/16"	22 7/16"	18 11/16"	8 1/4"	5 5/16"	6 11/16"	6 5/16"	33	23 5/8" x 19 11/16" x 16 9/16"	37
Mirra 250	250/10"	185-0,25	½"	335	9 5/8"	9 1/16" x 9 1/16"	15 9/16"	9 5/8"	19 11/16"	22 1/16"	14 9/16"	22 7/16"	18 11/16"	8 7/16"	5 11/16"	7 1/16"	6 11/16"	35	23 5/8" x 19 11/16" x 16 9/16"	40
Mirra 300 C	300/12"	185-0,25	½"	335	9 5/8"	9 1/16" x 9 1/16"	15 9/16"	9 5/8"	19 11/16"	22 1/16"	14 9/16"	22 7/16"	18 11/16"	8 7/16"	5 11/16"	8 7/8"	7 1/2"	35	23 5/8" x 19 11/16" x 16 9/16"	40
Mirra 300 Plus	300/12"	245-0,33 - 0.5 peak	½"	350	11 1/4"	9 13/16" x 10 13/16"	17 1/8"	11 5/8"	23 5/8"	24	16 9/16"	25 3/16"	20 1/16"	9 13/16"	7 5/16"	8 7/8"	8 1/4"	45	31 1/2" x 23 5/8" x 20 1/2"	63