

NORDKAPP

ice crusher



Nordkapp



- Crushes ice in 4 different sizes for use in sorbets, crushed ice drinks, cocktails, fish preservation, etc
- Ice expulsion by centrifugal force
- Stainless steel decanter
- Four position regulation system
- Powerful air-cooled motor with gear drive
- Safety interlock on lid

Features

Technical:

- For both fine and coarse crushed ice. Ideal for frozen cocktails and to serve food on a bed of ice.
- Air-cooled motor with gear transmission.

Safety

- Safety interlock on lid for automatic cut-out when lid is lifted.

Specifications

Construction:

die-cast aluminum base, stainless steel decanter, food-grade ABS outlet and stainless steel blades.

Stainless steel housing

150 W, direct transmission.

Motor:

Electrical:

120V AC, 60Hz, 3.04 Amp. (220V, 50Hz available on request).

Plug & Cord:

Attached, flexible, 3 wire SJT AWG 18, 6'4" long.

Switch:

ON/OFF button.

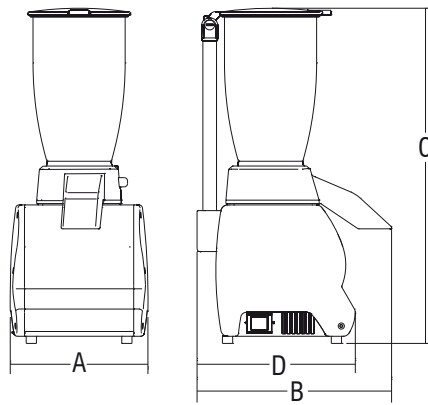




Four position regulation system



Blades



	Power	Power source	Blade speed	Jug capacity	Capacity bowl	A	B	C	D	Net weight	Shipping	Gross weight
	watt		r.p.m.	oz.	oz.	inch.	inch.	inch.	inch.	lbs.	inch.	lbs.
Nordkapp	150	120V AC, 60Hz, 3.04 Amp	800	68	101	8 ⁵ / ₆₄ "	11 ⁷ / ₃₂ "	19 ¹¹ / ₃₂ "	9 ¹ / ₄ "	11	16 ⁵ / ₃₂ " x 11 ¹ / ₃₂ " x 22 ³ / ₆₄ "	17