

Project \_\_\_\_\_

Item Number \_\_\_\_\_

Quantity \_\_\_\_\_

SL200LH / SL200LB



SL200LH / SL200LB  
SILVERLINE  
Spiral Mixers  
with Attached Lifter

**Models:**

- SL200LH:** 440Lbs (200Kg) Spiral Mixer
- SL200LB:** 440Lbs (200Kg) Spiral Mixer



SILVERLINE Spiral Mixer  
with Attached Lifter

**Features:**

- Stainless steel bowl, spiral dough hook, and shaft
- Separate bowl and agitator motors
- Has two speeds and reverse function
- Control board has separate timers for 1st and 2nd speed
- Mixer is equipped with built in lifter for lifting and dumping of mixed product
- Lifter can tilt machine to the right or left (must specify when ordering)
- Difference between H and B models is the height of the lifter (one for bench top and one for hoppers)
- Safety switches protect operator from injury if bowl lid is open
- Powerful belt drive provides low vibration, low noise, and economical maintenance for years of reliable service

Speeds:

**Dough hook:**

1st speed: 95rpm  
2nd speed: 190rpm

**Bowl:**

Speed: 15rpm

**Warranty:**

- One year, on-site parts and labor

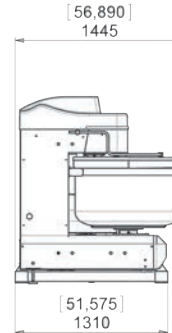
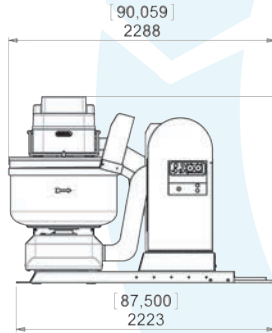
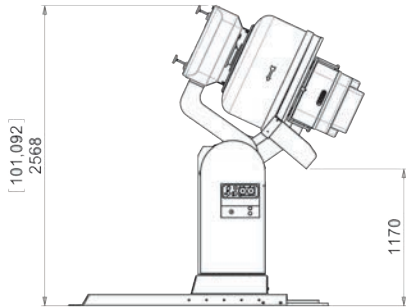
Univex Corporation



WE RAISE THE BAR. WE SET THE STANDARD.

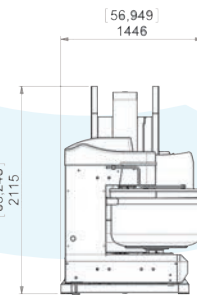
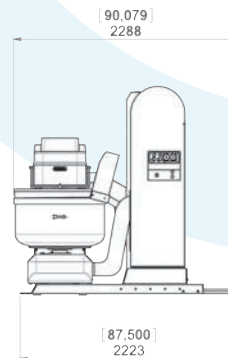
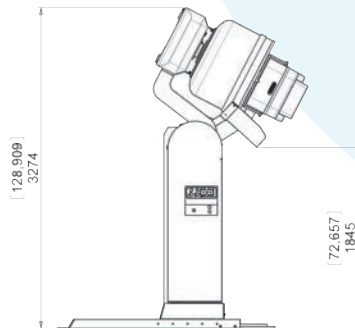
SILVERLINE Spiral Mixer with Attached Lifter

SL200LH / SL200LB



**SL200LB**

**SL200LH**



Controls: Control panel with manual timers. Separate timers for high and low speed. Security key for manual use. Bowl reverse direction switch.

Transmission: Heavy duty low noise, low vibration belt drive.

Bowl Guard: Swings open for full access to bowl. Guard must be closed for mixer operation.

**Shipping Information:**

	SL200LH	SL200LB
<b>Freight Class:</b>	85	85
<b>Net Weight:</b>	4,299Lbs (1950Kg)	3,637Lbs (1650Kg)

Electrical Information (60Hz)						
Model	Standard Voltage	Phase	Spiral hp(kW)	Bowl hp(kW)	Lifter hp(kW)	Total hp(kW)
SL200LH	220	3	14 (10.4)	1 (.75)	3 (2.2)	18 (13.4)
SL200LB	220	3	14 (10.4)	1 (.75)	3 (2.2)	18 (13.4)



**Univex Corporation**  
www.Univexcorp.com

3 Old Rockingham Rd  
Salem, NH 03079  
United States of America

TEL: 800.258.6358  
INTL TEL: 603.893.6191  
FAX: 800.356.5614  
INTL FAX: 603.893.1249