

Project \_\_\_\_\_

Item Number \_\_\_\_\_

Quantity \_\_\_\_\_

SL280LH/SL280LB



## SL280LH / SL280LB SILVERLINE Spiral Mixers with Attached Lifter

### Models:

- SL280LH: 615Lbs (280Kg) Spiral Mixer
- SL280LB: 615Lbs (280Kg) Spiral Mixer



Spiral Mixer  
with Attached Lifter

### Features:

- Stainless steel bowl, spiral dough hook, and shaft
- Separate bowl and agitator motors
- Has two speeds and reverse function
- Control board has separate timers for 1st and 2nd speed
- Mixer is equipped with built in lifter for lifting and discharge of mixed products
- Lifter can tilt machine to the right or left (must specify when ordering)
- Difference between H and B models is the height of the lifter (one for bench top and one for hoppers)
- Safety switches protect operator from injury if bowl lid is open
- Powerful belt drive provides low vibration, low noise, and economical maintenance for years of reliable service

Univex Corporation

### Dough hook:

**1st speed:** 95rpm

**2nd speed:** 190rpm

**Bowl Speed:** 15rpm

### Warranty:

- One year, on-site parts and labor

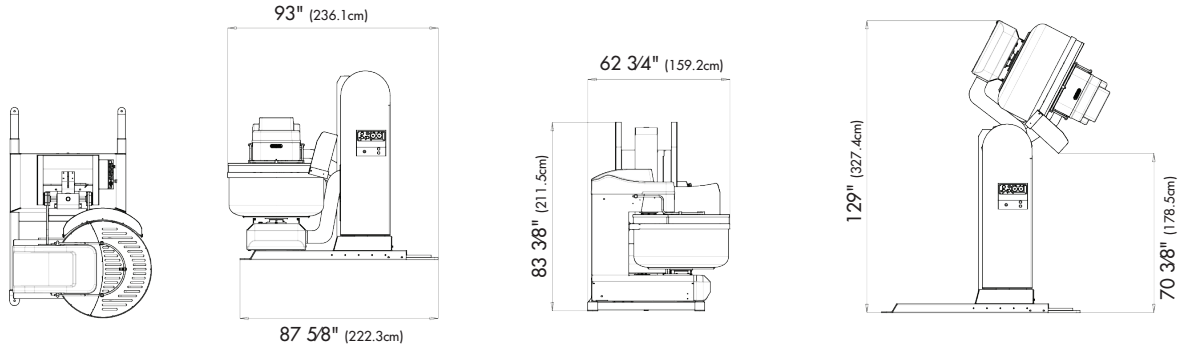


WE RAISE THE BAR. WE SET THE STANDARD.

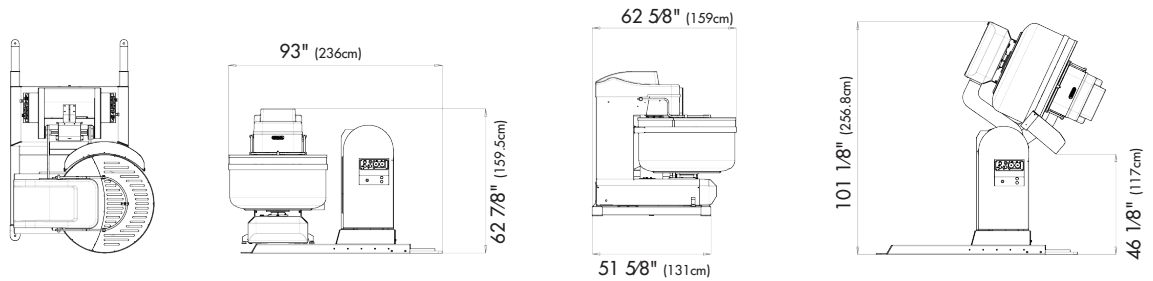
**SILVERLINE Spiral Mixer with Attached Lifter**

**SL280LH/SL280LB**

SL280LH



SL280LB



**Electrical Information (60Hz)**

Model	Voltage	Phase	Spiral hp(kW)	Bowl hp(kW)	Lifter hp(kW)	Total hp(kW)	Spiral Amps	Bowl Amps	Lifter Amps	Total Amps
SL280LH	220	3	18 (13.2)	1 (.75)	3 (2.2)	22 (16.15)	63.5	4.48	13	68
SL280LH Optional Voltage	400	3	18 (13.2)	1 (.75)	3 (2.2)	22 (16.15)	31.75	2.24	6.5	34
SL280LB	220	3	18 (13.2)	1 (.75)	3 (2.2)	22 (16.15)	63.5	4.48	13	68
SL280LB Optional Voltage	400	3	18 (13.2)	1 (.75)	3 (2.2)	22 (16.15)	31.75	2.24	6.5	34

**Transmission:** Heavy duty low noise, low vibration belt drive.

**Plug Info:**

**Bowl Guard:** Swings open for full access to bowl. Guard must be closed for mixer operation.

**Hard Wire With Shutoff**

**Controls:** Control panel with manual timers. Separate timers for high and low speed. Security key for manual use. Bowl reverse direction switch.

**Shipping Information**

Model	Net Weight	Shipping Weight	Overall Dimensions
SL280LH	4,409 lbs. (2,000Kg)	4,759 lbs. (2,159Kg)	91" (231.1cm) H x 101" (256.5cm) W x 96" (243.8cm) D
SL280LB	3,748 lbs. (1,700Kg)	4,098 lbs. (1,859Kg)	71" (180.3cm) H x 101" (256.5cm) W x 96" (243.8cm) D



**Univex Corporation**  
www.Univexcorp.com

3 Old Rockingham Rd  
Salem, NH 03079  
United States of America

TEL: (800)258-6358  
INTL TEL: (603)893-6191  
FAX: (800)356-5614  
INTL FAX: (603)893-1249