



# STAINLESS STEEL Ice Bins w/ 7-Circuit Cold Plate MSF 18" and 21" Wide Units



**SLI Series**  
18" Wide Units



**CRI Series**  
21" Wide Units



Item #: _____	Qty #: _____
Model #: _____	
Project #: _____	

**MATERIAL:**

**Ice Bin, Front Apron, Backsplash:** 22 gauge, 300 stainless steel  
**Sides:** 20 gauge, 430 stainless steel  
**Understructure:** 22 gauge galvaneal front/back; 11 gauge electrogalvaneal leg channel  
**Legs:** 1 5/8" O.D. 18 gauge, galvanized steel with adjustable plastic bullet feet  
**Ice Bin Insulation:** 2 lbs. density styrofoam  
**Cold Plate:** Cast aluminum with 7 circuits (5 syrup and 2 water lines) with 5/16" diameter stainless steel bump and swedge ends.

**MECHANICAL:**

1/2" IPS drain.

**OPTIONAL:**

- SU-10A** - 10" stainless steel leg upgrade (for 16" deep ice bins)
- SU-10B** - 14" stainless steel leg upgrade (for 12" deep ice bins)
- SU-13** - 10-circuit cold plate upgrade
- SU-30** - Soda chase provision
- SU-40** - Prep unit for installation of speed rail
- SSC-12** - Sliding cover for 12" ice bin
- SSC-24** - Sliding cover for 24" ice bin
- SSC-30** - Sliding cover for 30" ice bin
- SSC-36** - Sliding cover for 36" ice bin
- SSC-42** - Sliding cover for 42" ice bin
- SSC-48** - Sliding cover for 48" ice bin



Optional Sliding  
Stainless Steel Cover Shown

**FEATURES:**

- Insulated ice bins are 12" or 16" deep.
- 7-Circuit cold plate sealed into the bottom of ice bin.
- 4" backsplash.
- Two removable injection molded 3-pack plastic bottle racks.
- Galvanized legs with adjustable plastic bullet feet.
- Adjustable side cross-bracing.
- CRI Series** has rear deck for extra storage.

**NOTE: Bottle Racks Must Be Removed For NSF Compliance & For Use With Optional Cover.**

18" WIDE Model #	Approx. Weight	Approx. Cu. Ft.	21" WIDE Model #	Approx. Weight	Approx. Cu. Ft.	O.A. Length (A)	Dist. To Drain (B)	Ice Bin Depth (C)	Ice Bin Capacity
SLI-12-24-7	88 lbs.	7	CRI-12-24-7	93 lbs.	8	24"	12"	<b>12" DEEP</b>	77 lbs.
SLI-12-30-7	92 lbs.	11	CRI-12-30-7	95 lbs.	11	30"	15"		98 lbs.
SLI-12-36-7	98 lbs.	13	CRI-12-36-7	102 lbs.	13	36"	18"		119 lbs.
SLI-12-42-7	105 lbs.	13	CRI-12-42-7	108 lbs.	13	42"	21"		140 lbs.
SLI-12-48-7	110 lbs.	14	CRI-12-48-7	119 lbs.	14	48"	24"		161 lbs.
SLI-16-24-7	96 lbs.	7	CRI-16-24-7	103 lbs.	8	24"	12"		<b>16" DEEP</b>
SLI-16-30-7	104 lbs.	12	CRI-16-30-7	115 lbs.	12	30"	15"	127 lbs.	
SLI-16-36-7	112 lbs.	16	CRI-16-36-7	120 lbs.	17	36"	18"	155 lbs.	



**Customer Service Available To Assist You 1-800-645-3166 8:30 am - 8:00 pm E.S.T.**

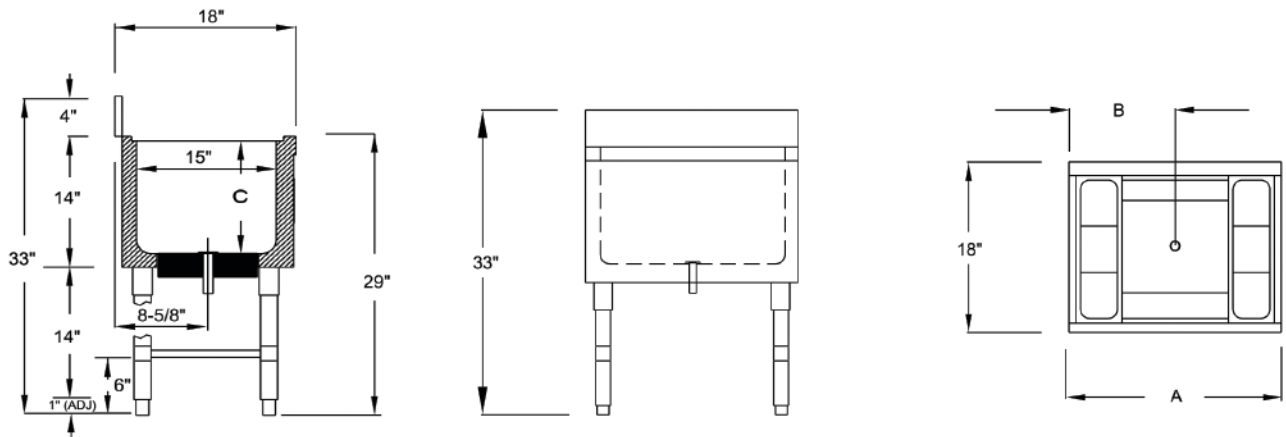
For Orders & Customer Service:  
Email: [customer@advancetabco.com](mailto:customer@advancetabco.com) or Fax: 631-242-6900

For Smart Fabrication™ Quotes:  
Email: [smartfab@advancetabco.com](mailto:smartfab@advancetabco.com) or Fax: 631-586-2933

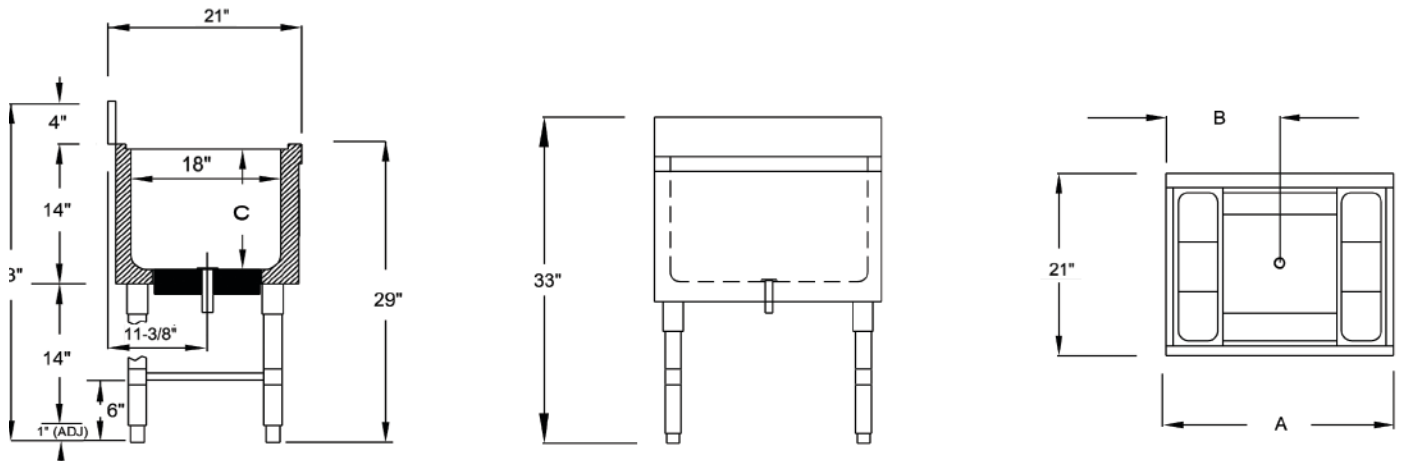
# DIMENSIONS and SPECIFICATIONS

## w/ 7-CIRCUIT COLD PLATE

### SLI Series



### CRI Series



ADVANCE TABCO is constantly engaged in a program of improving our products. Therefore, we reserve the right to change specifications without prior notice.

© ADVANCE TABCO, NOVEMBER 2014