



MODEL: SM-50-11ULS

APW Wyott heavy-duty, top-mount, drop-in, round food warmers are designed to hold heated foods at safe and fresh serving temperatures. APW Wyott SM-50-11S Series accommodates standard 11-quart round inset pans, and are designed for wet or dry operation.

One-piece stainless steel top flange and heavy-gauge, deep-drawn stainless steel warming pans are standard features on all models. E-Z Locks are standard for quick and easy installation.

Models with thermostatic controls are available. High-limits prevent overheating. Temperature-ready indicator lights are standard on all control types. Powerful tubular heating elements are located under the warming pans for quick and efficient heating and for even heat distribution.

### OPTIONS

- Drain Valve extension kit
- Non-metal counter adapter EZ Lock kit

### WARRANTY

- 1-Year Limited Parts & 1-Year Limited Labor Warranty

### CERTIFICATIONS

Certified by the following agencies:



### FEATURES AT A GLANCE

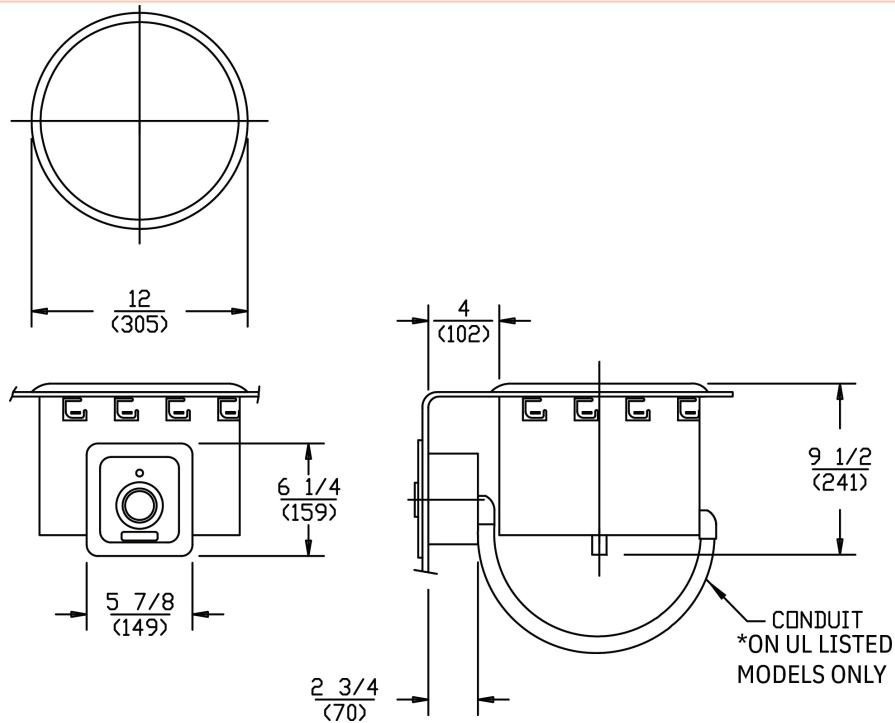
- Accommodates standard 11-quart insets
- One-piece stainless steel top flange and heavy-gauge, deep drawn stainless steel warming pans
- Suitable for wet or dry operation (wet operation is recommended)
- Energy-Saving fully-insulated models or standard non-insulated models
- Thermostatic controls
- High limits prevent overheating
- Thermostatic controls are recessed in a one-piece, drawn, front-mounted panel
- E-Z Lock standard for ease of installation
- Powerful tubular heating elements



# 11-QUART HEAVY DUTY, TOP-MOUNT, ROUND DROP-IN FOOD-WARMERS

MODELS: SM-50-11S

## EQUIPMENT DIMENSIONS



## MECHANICAL SPECIFICATIONS

Model #	Control Type	Insulation	Installed		Shipping			Cord	Plug	Drain	Approval	
			Weight	Weight	Voltage	Watts	Phase					Amps
SM-50-11S	Thermostatic	No	6 lb 2.8 kg	7 lb 3.2 kg	120	825	1	6.9	No	N/A	No	NSF <sup>c</sup> <sup>us</sup>
					240	825		3.4				
					208	620		3.0				
SM-50-11DS	Thermostatic	No	6 lb 2.8 kg	7 lb 3.2 kg	120	825	1	6.9	No	N/A	Yes	NSF <sup>c</sup> <sup>us</sup>
					240	825		3.4				
					208	620		3.0				
SM-50-11ULS	Thermostatic	No	6 lb 2.8 kg	7 lb 3.2 kg	120V	825	1	6.9	No	N/A	No	NSF <sup>c</sup> <sup>us</sup>
					240	825		3.4				
					208	620		3.0				
SM-50-11DULS	Thermostatic	No	6 lb 2.8 kg	7 lb 3.2 kg	120V	825	1	6.9	No	N/A	Yes	NSF <sup>c</sup> <sup>us</sup>
					240	825		3.4				
					208	620		3.0				

## REQUIRED CLEARANCES

Left	1" (25mm)	Front	4" (102mm)
Right	1" (25mm)	Bottom	8.5" (216mm)

Freight Class: 100  
FOB: Smithville, 37166

APW Wyott reserves the right to modify specifications or discontinue models without incurring obligation. Dimensions nominal.

