

The SPL Series

1/2 Refrigerated Curved Glass Bakery Case

1/2 Dry Curved Glass Dry Bakery Case



model shown SPL-59

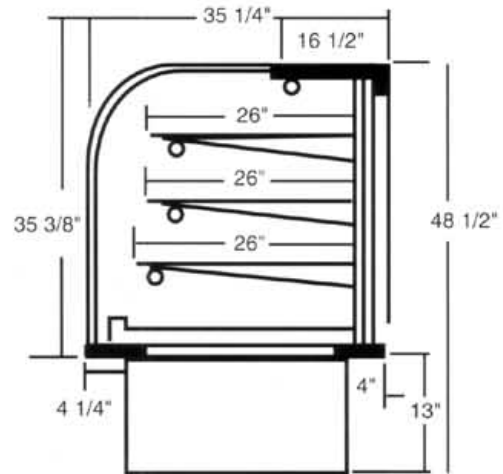


7453 Northwest 32nd Avenue, Miami, Florida 33147 • (305) 691-0500
Fax (305) 691-1212

A City Discount



**SPL Series – Half Curved Glass Refrigerated Bakery Display
Half Curved Glass Non-Refrigerated Bakery Display
For High Volume Use**



STANDARD FEATURES

- Curved insulated safety glass
- Full length fluorescent lighting installed at top of case and under each shelf
- Three rows of heavy duty white coated wire shelves able to accommodate standard Bakery sheet pans
- Electrical cord and plug
- Air cooled low velocity refrigeration system mounted on easy removable slide in and out base
- Hundreds of colors at NQ additional cost
- Mirror center divider
- Mirror interior ends
- Mirror interior sliding doors, white on exterior doors
- Mirror stainless steel top
- Mirror stainless steel front grill
- Heavy duty aluminum mill finish main deck
- Condensate evaporator eliminates need for drain
- Refrigerated side is on left from front view

model	length	height	depth	row of shelves	pan capacity 18" x 26"	amps	voltage	H.P.	est. weight
SPL-59	60 1/2"	48 1/2"	34 1/2"	3	8 full 8 half	12 amps	120/60/1	1/3	810 lbs
SPL-77	78 1/2"	48 1/2"	34 1/2"	3	16	12 amps	120/60/1	1/3	1,012 lbs

→ SPL-48 | 49" | 48 1/2" | 34 1/2" | 3 | 12 amps | 120/60/1 | 1/3 | 705

NOTE: Designed for use in locations with air conditioning, where temperature and relative humidity DO NOT exceed 75°F and 55% R.H. (Excessive condensation & loss of temperature may occur).

We reserve the right to change specifications and or colors of interior and or exterior parts at our own discretion without notice.

