



PROJECT NAME: \_\_\_\_\_

LOCATION: \_\_\_\_\_

ITEM: \_\_\_\_\_ QTY: \_\_\_\_\_

MODEL: \_\_\_\_\_

# SRRB SERIES RADIANT BROILERS

The Sierra heavy duty SRRB Series is designed to provide reliable, solid performance for many years. Innovative design features heavy duty cast iron top grates which are pitched with a cast in grease trough in each blade for fat run off; this minimizes "flareup". Individually controlled 16,000 BTU burners are located every 6" inches(SRRB-12,one "U" burner 30,000 BTU) designed to provide complete coverage of a large cooking area, while providing flexibility to operate chosen burners as needed, thus saving energy.

SRRB-36



Sierra Broilers have an enlarged cooking depth of 22" to maximize your cooking surface area.

\*Stainless steel stand with adjustable legs is optional

## STANDARD FEATURES

- 🔥 All non-ferrous stainless steel construction: interior, exterior, front, sides, landing ledge and valve controls
- 🔥 Heavy gauge welded front frame
- 🔥 Individually controlled steel "fluted" burners at 16,000 BTU each, spaced every 6", (SRRB-12 one "U" burner at 30,000 BTU )designed to provide large cooking coverage or operate only the individual burners needed, while saving energy
- 🔥 One stainless steel standing pilot for each burner for instant ignition
- 🔥 Optimum heat distribution with heavy duty angled radiants
- 🔥 Heavy duty reversible and removable cast iron 3" x 22" top grates for easy cleaning
- 🔥 One side of grate can be used for meat and the other side for fish
- 🔥 Cast in grease trough allows excess fat to flow, minimizing excessive flair up
- 🔥 Removable Crumb tray for quick and easy cleaning
- 🔥 Adjustable design for countertop use
- 🔥 4" S/S adjustable legs and 1" levelling feet included
- 🔥 Features a full 6" landing edge for increased plate stability
- 🔥 The SRRB is shipped from the factory, ready for natural gas installation. An LP conversion kit is included with each unit



Tel.: 786.600.4687 / Toll Free: 844.218.8477  
Fax: 786.661.4100

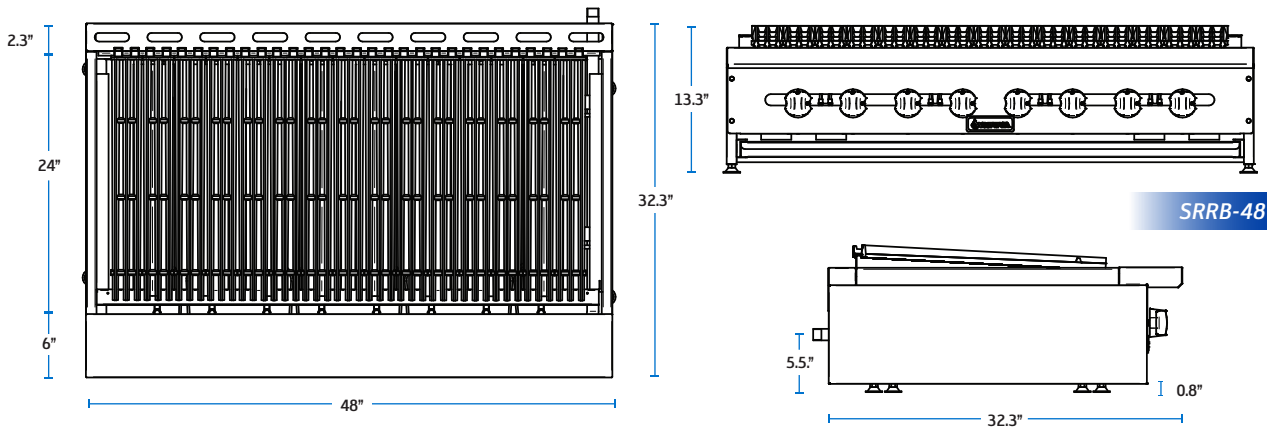
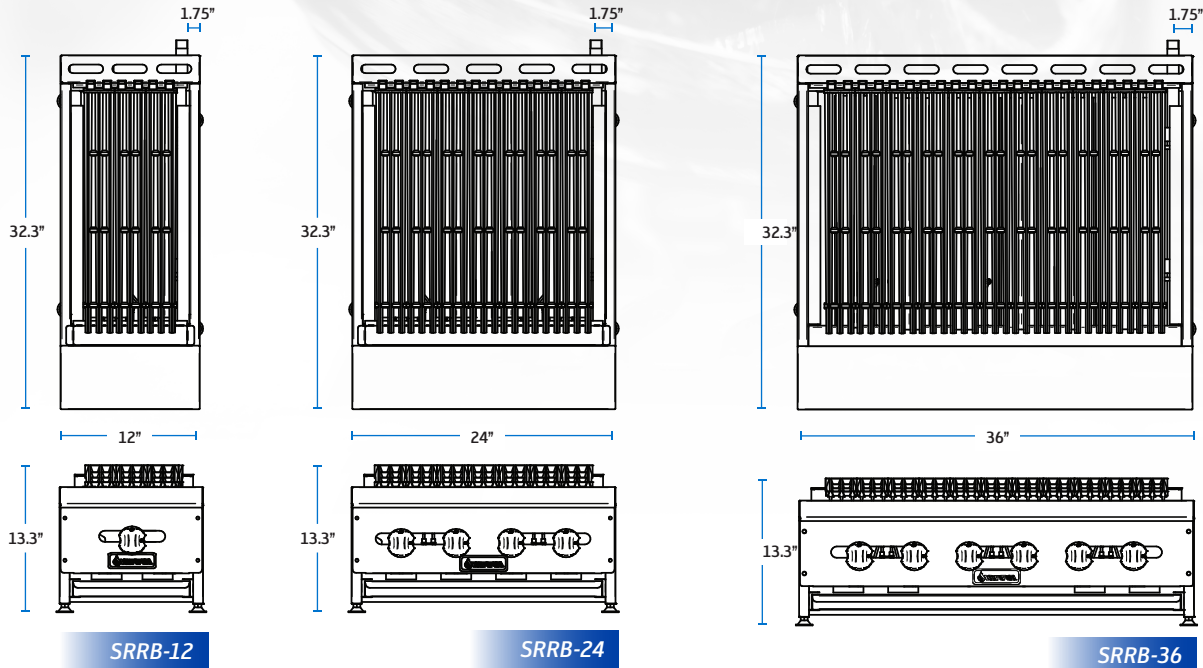


Tel.: 514.737.9701 / Toll Free: 888.275.4538  
Fax: 514.342.3854 / Toll Free: 877.453.8832

sales@mvpgroupcorp.com



www.mvpgroupcorp.com



## SPECIFICATIONS

MODEL NUMBER	EXTERNAL DIMENSIONS (WxDxH)	NUMBER OF BURNERS	BTU'S PER BURNER	TOTAL BTU	NET WEIGHT	SHIPPING WEIGHT
SRRB-12	12" X 32.3" X 13.3"	1	30,000	30,000	87 LBS	110 LBS
SRRB-24	24" X 32.3" X 13.3"	4	16,000	64,000	138 LBS	170 LBS
SRRB-36	36" X 32.3" X 13.3"	6	16,000	96,000	185 LBS	229 LBS
SRRB-48	48" X 32.3" X 13.3"	8	16,000	128,000	237 LBS	288 LBS

**Warranty:** 12 months parts & labor.

**Gas Connection:** 3/4" NPT on the right hand rear of the appliance. The pressure regulator (supplied) is to be connected here by the installer.


**Gas pressure:** 5" W.C. - Natural Gas | 10" W.C. - Propane

**Combustible Clearances:** For use in non-combustible locations | Non-combustible Clearances: 0 inches sides, 0 inches rear  
Specify type of gas and altitude, if over 2,000 feet, when ordering.

**SIERRA RANGE** is a registered trademark of **MVP Group**.

Due to continuing product development, to ensure best possible performance, the specifications are subject to change without prior notice.



 Tel.: 786.600.4687 / Toll Free: 844.218.8477  
Fax: 786.661.4100

 Tel.: 514.737.9701 / Toll Free: 888.275.4538  
Fax: 514.342.3854 / Toll Free: 877.453.8832  
sales@mvpgroupcorp.com