



PROJECT NAME: _____

LOCATION: _____

ITEM: _____ QTY: _____

MODEL: _____

SRSP-18

STOCK POT RANGE

The Sierra SRSP-18 features an all-stainless steel construction, that includes heavy duty cast iron 3-ring burner rated at 100,000 BTU/Hr, providing lightning quick heating. The dual control valves, for the inner and outer rings, allow maximum precision to maintain desired heat. The full width drip tray catches spills and is easily removed for cleaning. The stock pot range has an open storage base.

The SRSP-18 features a modern look and design, form and function fit for the most demanding kitchens at an affordable price. All with the ease of modular customization.



STANDARD FEATURES

- Stainless steel construction: interior and exterior front, sides and valve controls
- Heavy gauge welded front frame
- Heavy duty 18" X 21" cast iron top grate is easily removable for cleaning
- Lift-off top two piece, cast iron burners
- One stainless steel standing pilot for each burner for instant ignition
- Pilot shield protects pilot from spills and grease
- Full width drip tray to catch spills
- Dual control valves; one for the inner ring and one for the outer ring
- Sloping design of cast iron bowl guides any spill away from the burner's ports, protects the flame and preventing clogs
- Sturdy lower cabinet storage cavity
- 6" adjustable stainless steel legs
- The SRSP-18 is shipped from the factory, ready for natural gas installation. An LP conversion kit is included with each unit



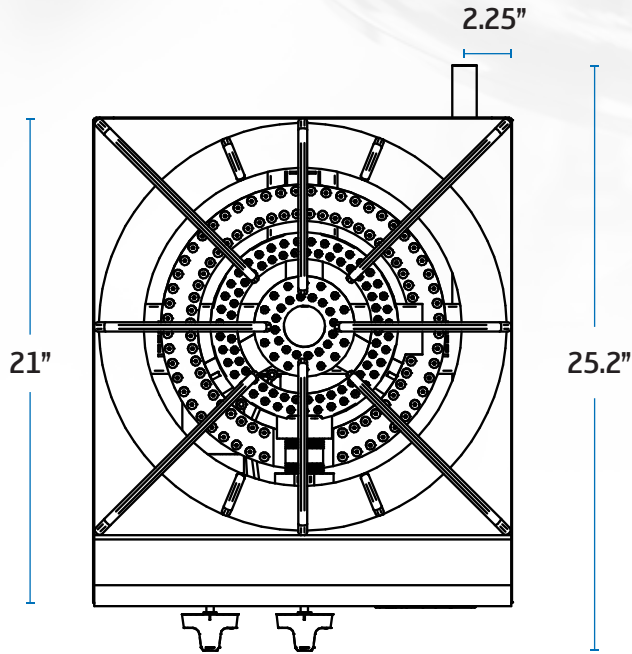
Tel.: 786.600.4687 / Toll Free: 844.218.8477
Fax: 786.661.4100



Tel.: 514.737.9701 / Toll Free: 888.275.4538
Fax: 514.342.3854 / Toll Free: 877.453.8832
sales@mvpgroupcorp.com

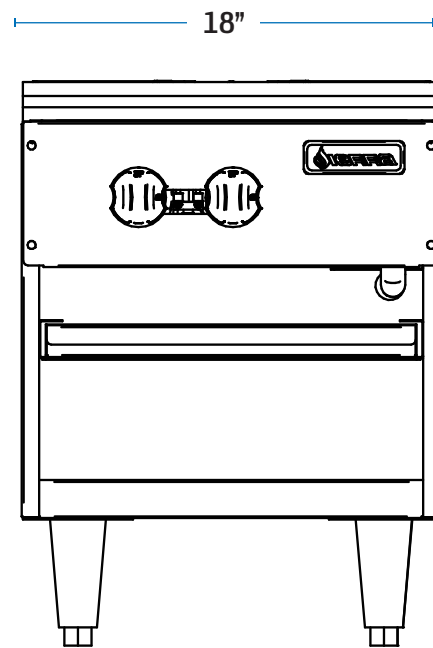
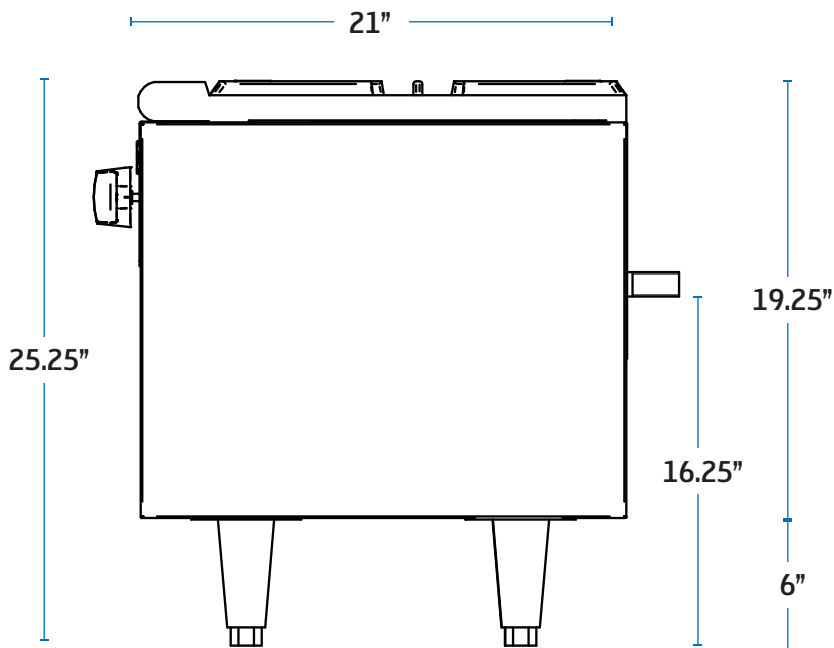


www.mvpgroupcorp.com



SPECIFICATIONS

MODEL NUMBER	SRSP-18
EXTERNAL DIMENSIONS (WxDxH)	18" X 25.2" X 25.25"
NUMBER OF BURNERS	1
TOTAL BTU	100,000
NET WEIGHT	110 LBS
SHIPPING WEIGHT	128 LBS



Warranty: 12 months parts & labor.

Gas Connection: 3/4" NPT on the right hand rear of the appliance. The pressure regulator (supplied) is to be connected here by the installer.

Gas pressure: 5" W.C. - Natural Gas | 10" W.C. - Propane

Combustible Clearances: For use in non-combustible locations | Non-combustible Clearances: 0 inches sides, 0 inches rear
Specify type of gas and altitude, if over 2,000 feet, when ordering.

SIERRA RANGE is a registered trademark of **MVP Group**.

Due to continuing product development, to ensure best possible performance, the specifications are subject to change without prior notice.



Intertek



Intertek



Tel.: 786.600.4687 / Toll Free: 844.218.8477
Fax: 786.661.4100



Tel.: 514.737.9701 / Toll Free: 888.275.4538
Fax: 514.342.3854 / Toll Free: 877.453.8832
sales@mvpgroupcorp.com