



ATOSA USA

“WE MAKE THE KITCHEN BETTER!”

Toll Free: 855-855-0399 Email: info@atosausa.com
www.atosa.com | www.atosausa.com
 California, Colorado, Florida, Georgia, Illinois,
 Massachusetts, New Jersey, Ohio, Texas, Washington

Work Tables 24 Inch Series

Standard Features

- 18 gauge, 430 stainless steel table including the undershelf and legs
- Entire top mechanically polished to a satin finish
- Top is sound deadened
- All edges are turned down as a safety feature
- Stainless steel tubular legs and undershelf are standard features on all models
- Under shelf can be adjusted to desired height
- Adjustable bullet feet
- Ships K.D
- Easy to assemble

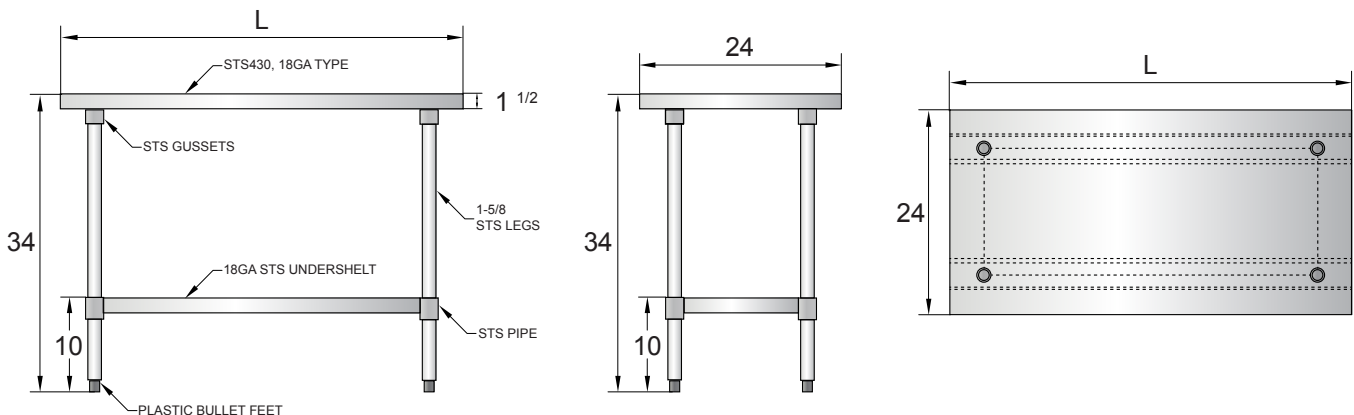
MODELS:

SSTW-2424 / SSTW-2430 / SSTW-2436
 SSTW-2448 / SSTW-2460 / SSTW-2472



Model	Legs	Ga.	L	D	H	Net Weight	Ship Weight	Packaging Dimensions
SSTW-2424	4	18	24	24	34	32	34	29x35x4
SSTW-2430	4	18	30	24	34	35	39	29x35x4
SSTW-2436	4	18	36	24	34	40	44	26x37x4
SSTW-2448	4	18	48	24	34	48	54	26x50x4
SSTW-2460	4	18	60	24	34	57	63	26x62x4
SSTW-2472	4	18	72	24	34	66	72	26x74x4

PLAN VIEW



90 DAYS WARRANTY ON WORKMANSHIP

