



ATOSA USA

“WE MAKE THE KITCHEN BETTER!”

Toll Free: 855-855-0399 Email: info@atosausa.com
www.atosausa.com | www.atosausa.com
 California, Colorado, Florida, Georgia, Illinois,
 Massachusetts, New Jersey, Ohio, Texas, Washington

Work Tables 30 Inch Series

Standard Features

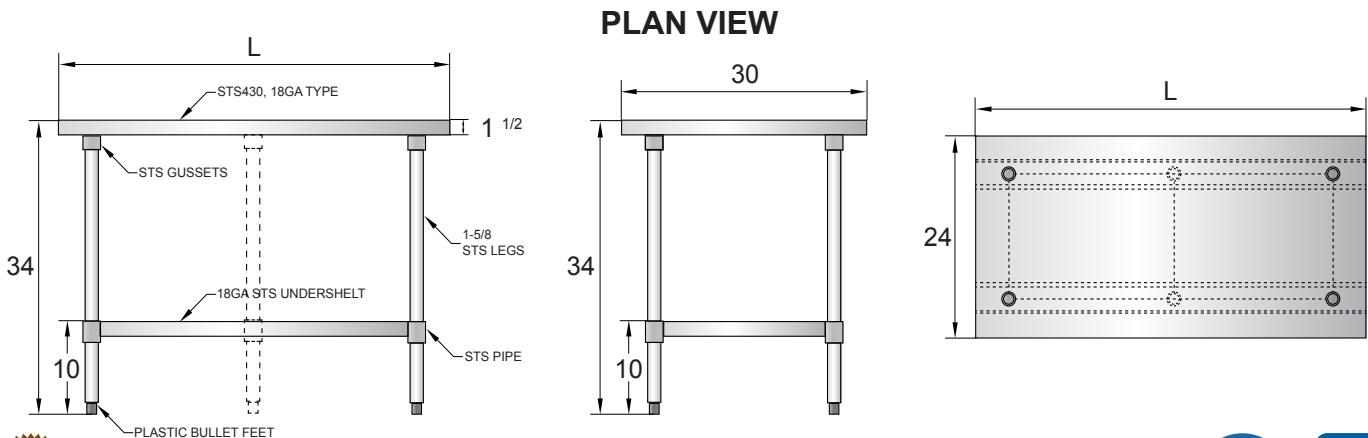
- 18 gauge, 430 stainless steel table including the undershelf and legs
- Entire top mechanically polished to a satin finish
- Top is sound deadened
- All edges are turned down as a safety feature
- Stainless steel tubular legs and undershelf are standard features on all models
- Under shelf can be adjusted to desired height
- Adjustable bullet feet
- Ships K.D
- Easy to assemble

MODELS:

SSTW-3030 / SSTW-3036 / SSTW-3048
 SSTW-3060 / SSTW-3072 / SSTW-3084 / SSTW-3096



Model	Legs	Ga.	L	D	H	Net Weight	Ship Weight	Packaging Dimensions
SSTW-3030	4	18	30	30	34	41	45	35x35x4
SSTW-3036	4	18	36	30	34	45	51	32x37x4
SSTW-3048	4	18	48	30	34	57	62	32x50x4
SSTW-3060	4	18	60	30	34	67	73	32x62x4
SSTW-3072	4	18	72	30	34	77	86	32x74x4
SSTW-3084	6	18	84	30	34	93	103	32x86x4
SSTW-3096	6	18	96	30	34	103	115	32x98x4



90 DAYS WARRANTY ON WORKMANSHIP

