



# "ST6R5-SBK" Stainless Steel Top Work Tables w/ Riser

w/ 16 Gauge Stainless Steel Work Top  
w/ Stainless Base & Adjustable Bracing



|         |       |     |       |
|---------|-------|-----|-------|
| Item #  | _____ | Qty | _____ |
| Model # | _____ |     |       |
| Project | _____ |     |       |

| 16 GAUGE TOP w/ ADJUSTABLE BRACING |     |                |     |                |     |
|------------------------------------|-----|----------------|-----|----------------|-----|
| 24"WIDE                            | Qty | 30"WIDE        | Qty | 36"WIDE        | Qty |
| ST6R5-2436SBK                      |     | ST6R5-3036SBK  |     | ST6R5-3636SBK  |     |
| ST6R5-2448SBK                      |     | ST6R5-3048SBK  |     | ST6R5-3648SBK  |     |
| ST6R5-2460SBK                      |     | ST6R5-3060SBK  |     | ST6R5-3660SBK  |     |
| ST6R5-2472SBK                      |     | ST6R5-3072SBK  |     | ST6R5-3672SBK  |     |
| ST6R5-2484SBK                      |     | ST6R5-3084SBK  |     | ST6R5-3684SBK  |     |
| ST6R5-2496SBK                      |     | ST6R5-3096SBK  |     | ST6R5-3696SBK  |     |
| ST6R5-24108SBK                     |     | ST6R5-30108SBK |     | ST6R5-36108SBK |     |
| ST6R5-24120SBK                     |     | ST6R5-30120SBK |     | ST6R5-36120SBK |     |

### FEATURES:

- \* 16 Gauge Stainless Steel Top with 5" Riser & turndown  
Type 300 stainless steel with # 3 polish, satin finish
- \* Top is **Sound Deadened**
- \* Reinforced with 1"x2" channel running entire length of table
- \* 1 1/2" **Stallion Edge** on front and rear with side edges 90 degree bend down for table line-up
- \* Stainless Base with **Adjustable** Bracing
- \* Adjustable bullet feet
- \* Shipped knocked-down, easy - to - assemble
- \* NSF Approved



## Adjustable Bracing

### CONSTRUCTION:

Top: Stainless Steel Tops are TIG welded, Exposed welds are polished to match adjacent surface.

### MATERIAL:

Top: 16 gauge stainless steel  
Type 300 stainless steel with # 3 polish, satin finish

Bracing: 1 1/4" Round O.D. 18 gauge stainless steel

Legs: 1 5/8" Round O.D., 16 gauge tubular stainless steel

Gussets: Stainless Steel

Feet: 1" adjustable stainless bullet feet

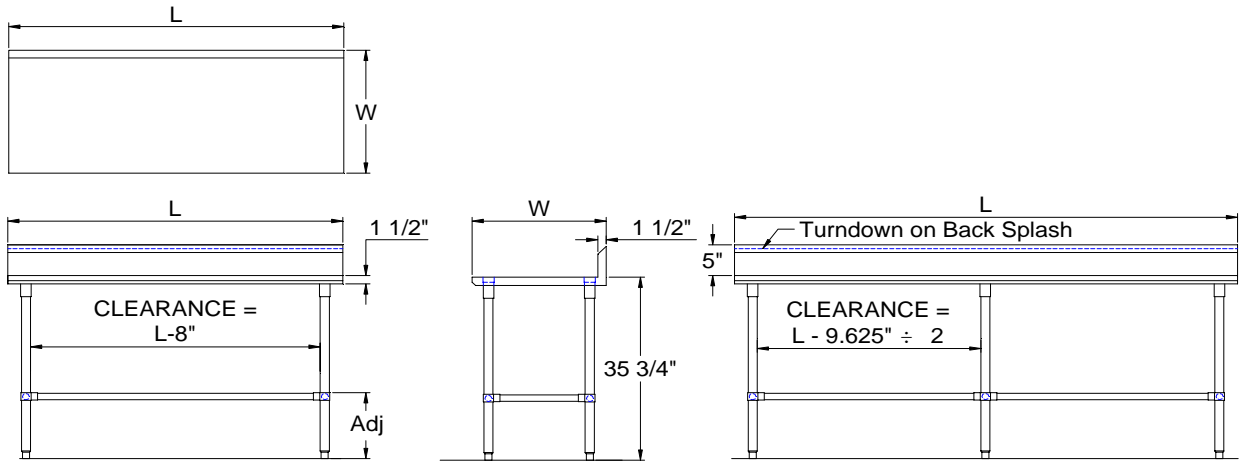
### OPTIONAL ACCESSORIES

|             | MODEL # | Qty |
|-------------|---------|-----|
| DRAWER      |         |     |
| DRAWER LOCK |         |     |
| CASTERS     |         |     |
| OVERSHELVES |         |     |
| SINKS       |         |     |
| POT RACK    |         |     |

## John Boos & Co

315 South First Street - Effingham, IL 62401  
Phone: 217-347-7701 - Fax: 217-347-7705  
Email: sales@johnboos.com - Web-site: www. johnboos.com

## DETAILED SPECIFICATIONS

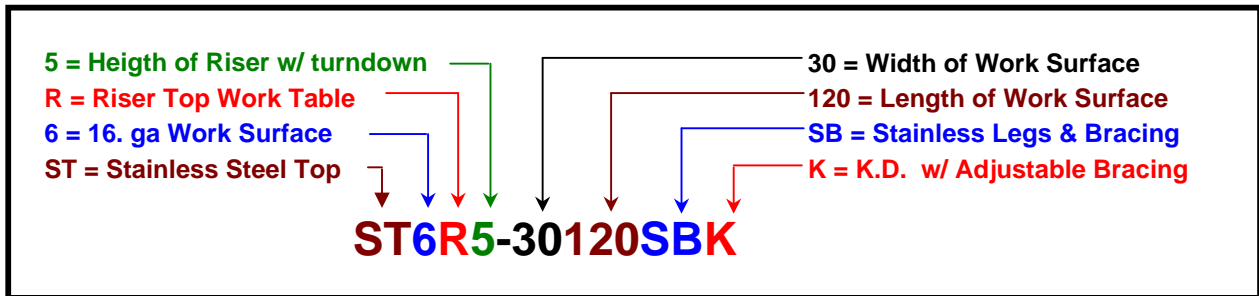


All units ship unassembled for reduced shipping cost.  
 Units 7 ft. and larger are furnished with six legs.  
 All dimensions are typical.  
 Tolerance +/- .500".

Finished size of undershelf.  
 Shelf length = length minus 4.875"  
 Shelf width = width minus 4.25"

### 16 GAUGE TOP & UNDERSHELF

| L   | 24" WIDE       | WT. | 30" WIDE       | WT. | 36" WIDE       | WT. |
|-----|----------------|-----|----------------|-----|----------------|-----|
| 36  | ST6R5-2436SBK  | 49  | ST6R5-3036SBK  | 53  | ST6R5-3636SBK  | 65  |
| 48  | ST6R5-2448SBK  | 58  | ST6R5-3048SBK  | 64  | ST6R5-3648SBK  | 72  |
| 60  | ST6R5-2460SBK  | 69  | ST6R5-3060SBK  | 76  | ST6R5-3660SBK  | 80  |
| 72  | ST6R5-2472SBK  | 79  | ST6R5-3072SBK  | 87  | ST6R5-3672SBK  | 93  |
| 84  | ST6R5-2484SBK  | 93  | ST6R5-3084SBK  | 103 | ST6R5-3684SBK  | 110 |
| 96  | ST6R5-2496SBK  | 107 | ST6R5-3096SBK  | 118 | ST6R5-3696SBK  | 127 |
| 108 | ST6R5-24108SBK | 117 | ST6R5-30108SBK | 130 | ST6R5-36108SBK | 139 |
| 120 | ST6R5-24120SBK | 127 | ST6R5-30120SBK | 141 | ST6R5-36120SBK | 151 |



### John Boos & Co

315 South First - Effingham, IL 62401 Phone: 217-347-7701 - Fax: 217-347-7705  
 Email: sales@johnboos.com - Web-site: www.johnboos.com



June 2009

John Boos is constantly engaged in a program of improving products and therefore reserves the right to change specification without prior notice