



"ST6R5-SSK" Stainless Steel Top Work Tables w/ Riser

w/ 16 Gauge Stainless Steel Work Top
w/ Stainless Base & Adjustable Undershef



Item #	_____	Qty	_____
Model #	_____		
Project	_____		

16 GAUGE TOP w/ ADJUSTABLE UNDERSHELF					
24"WIDE	Qty	30"WIDE	Qty	36"WIDE	Qty
ST6R5-2436SSK		ST6R5-3036SSK		ST6R5-3636SSK	
ST6R5-2448SSK		ST6R5-3048SSK		ST6R5-3648SSK	
ST6R5-2460SSK		ST6R5-3060SSK		ST6R5-3660SSK	
ST6R5-2472SSK		ST6R5-3072SSK		ST6R5-3672SSK	
ST6R5-2484SSK		ST6R5-3084SSK		ST6R5-3684SSK	
ST6R5-2496SSK		ST6R5-3096SSK		ST6R5-3696SSK	
ST6R5-24108SSK		ST6R5-30108SSK		ST6R5-36108SSK	
ST6R5-24120SSK		ST6R5-30120SSK		ST6R5-36120SSK	

FEATURES:

- * 16 Gauge Stainless Steel Top with 5" Riser & turndown
Type 300 stainless steel with # 3 polish, satin finish
- * Top is **Sound Deadened**
- * Reinforced with 1"x2" channel running entire length of table
- * 1 1/2" **Stallion Edge** on front and rear with side edges 90 degree bend down for table line-up
- * Stainless Steel Base with **Adjustable** Undershef
- * Adjustable bullet feet
- * Shipped knocked-down, easy - to - assemble
- * NSF Approved



CONSTRUCTION:

Top: Stainless Steel Tops are TIG welded, Exposed welds are polished to match adjacent surface.

MATERIAL:

Top: 16 gauge stainless steel
Type 300 stainless steel with # 3 polish, satin finish

Shelf: 18 gauge stainless steel
** 36" Wide Tables, 16 Gauge Lower Shelf

Legs: 1 5/8" Round O.D., 16 gauge tubular galvanized steel

Gussets: Stainless Steel

Feet: 1" adjustable stainless steel bullet feet

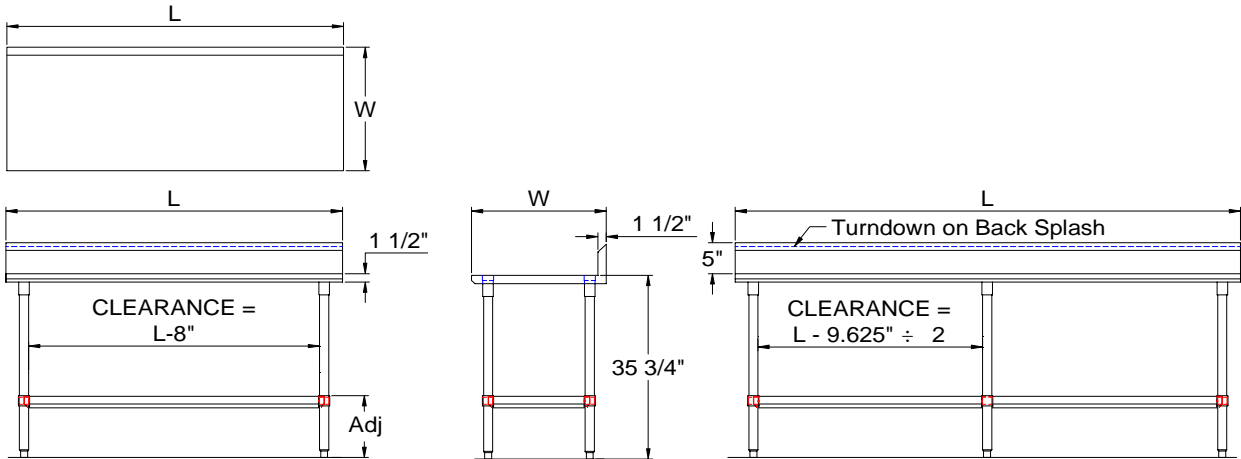
OPTIONAL ACCESSORIES

	MODEL #	Qty
DRAWER		
DRAWER LOCK		
CASTERS		
OVERSHELVES		
SINKS		
POT RACK		

John Boos & Co

315 South First Street - Effingham, IL 62401
Phone: 217-347-7701 - Fax: 217-347-7705
Email: sales@johnboos.com - Web-site: www. johnboos.com

DETAILED SPECIFICATIONS



All units ship unassembled for reduced shipping cost.
 Units 7 ft. and larger are furnished with six legs.
 All dimensions are typical.
 Tolerance +/- .500".

Finished size of undershelf.
 Shelf length = length minus 4.875"
 Shelf width = width minus 4.25"

16 GAUGE TOP & UNDERSHELF

L	24" WIDE	WT.	30" WIDE	WT.	36" WIDE	WT.
36	ST6R5-2436SSK	56	ST6R5-3036SSK	63	ST6R5-3636SSK	80
48	ST6R5-2448SSK	69	ST6R5-3048SSK	78	ST6R5-3648SSK	87
60	ST6R5-2460SSK	82	ST6R5-3060SSK	93	ST6R5-3660SSK	104
72	ST6R5-2472SSK	95	ST6R5-3072SSK	111	ST6R5-3672SSK	123
84	ST6R5-2484SSK	112	ST6R5-3084SSK	128	ST6R5-3684SSK	144
96	ST6R5-2496SSK	129	ST6R5-3096SSK	176	ST6R5-3696SSK	165
108	ST6R5-24108SSK	142	ST6R5-30108SSK	163	ST6R5-36108SSK	183
120	ST6R5-24120SSK	155	ST6R5-30120SSK	178	ST6R5-36120SSK	200

5 = Height of Riser w/ turndown 30 = Width of Work Surface
R = Riser Top Work Table 120 = Length of Work Surface
6 = 16. ga Work Surface SS = Stainless Legs & Shelf
ST = Stainless Steel Top K = K.D. w/ Adjustable Shelf

ST6R5-30120SSK

John Boos & Co

315 South First - Effingham, IL 62401 Phone: 217-347-7701 - Fax: 217-347-7705
 Email: sales@johnboos.com - Web-site: www.johnboos.com



March 2011

John Boos is constantly engaged in a program of improving products and therefore reserves the right to change specification without prior notice