



COMBI VEGETABLE PREP.-CUTTER CK-241 2D 120/60/1 · 2 DISCS INCLUDED

2-in-1. Compact vegetable slicer + cutter. 1 speed.

P/N. 1050914



- ✓ Sturdy construction in food-grade best quality materials.
- ✓ High power asynchronous motor.

Maximum comfort for the user

- ✓ Ergonomic design: product sliced in one single movement.
- ✓ Cutter bowl equipped with ergonomic handle.
- ✓ Lateral product output: requires less space on the worktop and guides the product, avoiding splashes.
- ✓ Adjustable product ejection direction to adapt to the workflow in the preparation area.
- ✓ Recessed cored relief allows for any position in the kitchen, side walls, back wall, light and compact, this machine can fit.
- ✓ The electronic command panel is very intuitive.

Maintenance, safety, hygiene

- ✓ Lever, lid and bowl are easily removable for cleaning purposes.
- ✓ Stainless steel, dishwasher-safe discs. The removable blades allow for an even more thorough and efficient cleaning.
- ✓ Combination of safety systems: head, cover, bowl, power switch.
- ✓ Complete error warning system.
- ✓ Appliance certified by NSF International (regulations on hygiene, cleaning and materials suitable for contact with foods).
- ✓ 100% tested.

INCLUDES

- ✓ 1-speed motor block.
- ✓ Vegetable slicer attachment.
- ✓ Cutter bowl with toothed blades.
- ✓ Gravity product expulsion ramp.
- ✓ Ejection disc.
- ✓ CK-241 2D includes 2 discs: FCS-4 (4 mm. slicing disc) and SHS-2 (2 mm. shredding disc).

OPTIONS

- Hub with smooth blades.
- Hub with perforated blades.

ACCESSORIES

- FCS Slicing Discs (Compact line)
- SHS Shredding & Grating Discs (Compact line)

SPECIFICATIONS

Total loading: 1.5 Hp (12 A)
 Electrical supply: 120 V / 60 Hz / 1 ~ (4 A)
 Plug: --

As vegetable preparation machine

Hourly production: 110 lbs - 770 lbs
 Inlet opening: 13.8 in²
 Disc diameter: 7.1 "
 Motor speed: -- - 1800 rpm
 External dimensions (WxDxH): 14.9 " x 12.2 " x 21 "
 Net weight (Veg.Pre.): 33.5 lbs

As cutter

Bowl capacity: 4.65 qt
 Speeds as cutter (positions): -- - 1800 rpm
 External dimensions (WxDxH): 9.9 " x 12.2 " x 17.1 "
 Net weight (Cutter): 31.3 lbs
 Noise level (1m.): <70 dB(A)
 Background noise: 32 dB(A)
 Electrical supply: 120 V / 60 Hz / 1 ~ (4 A)
 Plug: --

SALES DESCRIPTION

Compact ACTIVE line. 1-speed motor block + vegetable slicer attachment + 4,4 l cutter bowl.

Vegetable slicer function: a perfect cut.

- ✓ High precision settings and comprehensive cutter and disc design aimed at obtaining a perfect cut.
- ✓ Gravity product expulsion ramp allow to reconstruct the sliced product for storing or presentation purpose.
- ✓ Ejection disc included for the products that require its use.
- ✓ It can be fitted with a wide range of discs and grids of the highest cutting quality.
- ✓ Combining these accessories together to obtain more than 35 different types of cuts and grating grades.

Cutter function: efficiency and performance.

- ✓ Possibility of programming by time and pulse button.
- ✓ 4.4 lt-bowl equipped with lateral stirrer and high shaft to obtain a bigger production.
- ✓ Transparent polycarbonate lid equipped with hole to add ingredients in use.
- ✓ Lid complete with gasket to avoid product overflowing.
- ✓ Homogeneous and fine mixing result thanks to the lateral stirrers and invert-blade technology.
- ✓ The lateral stirrers avoid product overheating.
- ✓ Very uniform finish due to the movement generated the special position of the cutting edges.
- ✓ Depending on the purpose, the possibility of using optional smooth or perforated blades.

Built to last



DYNAMIC PREPARATION
FOOD PROCESSOR / VEG PREP COMBI MACHINES

product sheet
updated 03/21/22



COMBI VEGETABLE PREP.-CUTTER CK-241 2D 120/60/1 · 2 DISCS INCLUDED

2-in-1. Compact vegetable slicer + cutter. 1 speed.

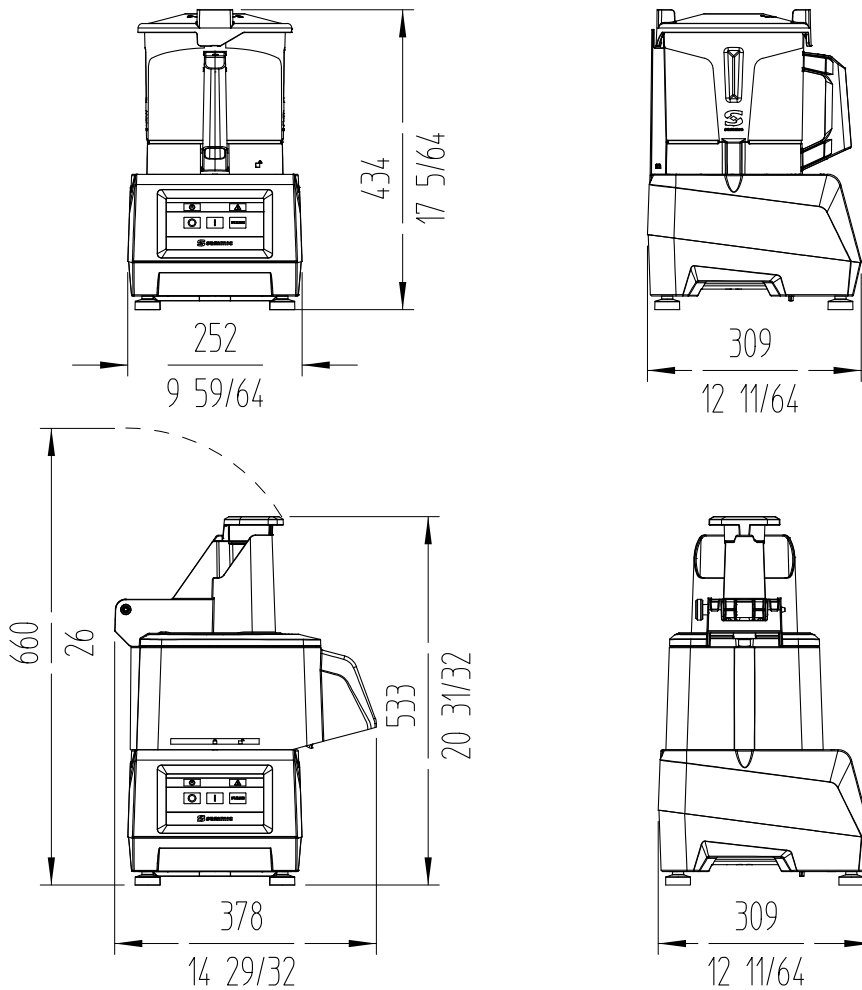


Crated dimensions

15.0 x 22.2 x 18.9"
Volume Packed: 0.1 m³

Gross weight: 45.6 lbs.

P/N. 1050914



DYNAMIC PREPARATION
FOOD PROCESSOR / VEG PREP COMBI MACHINES

sammic | www.sammic.us
Food Service Equipment Manufacturer

usa@sammic.com
1225 Hartrey Avenue
60202-1056 Evanston, IL

phone +1 (224) 307-2232
toll free +1 844 275 3848



Project	Date
Item	Qty
Approved	

product sheet
updated 03/21/22