



FOOD-PROCESSOR K-41

Compact bowl cutter. 1 speed.



- ✓ Cutter bowl equipped with ergonomic handle.
- ✓ The electronic command panel is very intuitive.
- ✓ Recessed cord relief allowing flush against wall operation

Maintenance, safety, hygiene

- ✓ Safety microswitches in the position of the bowl and the lid.
- ✓ Complete error warning system.
- ✓ Appliance certified by NSF International (regulations on hygiene, cleaning and materials suitable for contact with foods).
- ✓ 100% tested.

INCLUDES

- ✓ 1-speed motor block.
- ✓ Cutter bowl with toothed blades.

ACCESSORIES

- Hub with smooth blades.
- Vegetable slicer attachment.
- Hub with perforated blades.

SALES DESCRIPTION

Compact ACTIVE line. 1-speed motor block + 4,4 l cutter bowl.

Efficiency and performance.

- ✓ 4.4 lt-bowl equipped with lateral stirrer and high shaft for larger production capacity.
- ✓ Transparent polycarbonate lid equipped with hole to add ingredients in use.
- ✓ Lid complete with gasket to avoid product overflowing.
- ✓ Homogeneous and fine mixing result thanks to the lateral stirrers and invert-blade technology.
- ✓ The lateral stirrers avoid product overheating.
- ✓ Very uniform finish due to the movement generated the special position of the cutting edges.
- ✓ Depending on usage, optional smooth or perforated blades available.
- ✓ Optional vegetable slicer attachment available.

Built to last

- ✓ Sturdy construction in food-grade best quality materials.
- ✓ High power asynchronous motor.

Maximum comfort for the user



sammic | www.sammic.us
Food Service Equipment Manufacturer

usa@sammic.com phone +1 (224) 307-2232
1225 Hartrey Avenue toll free +1 844 275 3848
60202-1056 Evanston, IL



Project	Date
Item	Qty
Approved	

DYNAMIC PREPARATION
CUTTER-MIXERS & EMULSIFIERS

product sheet
updated 11/11/21



FOOD-PROCESSOR K-41

Compact bowl cutter. 1 speed.



SPECIFICATIONS

Plug: USA (NEMA 5-15P / 2P+G)
 Bowl capacity: 4.65 qt.
 Max. product capacity: 5.5 lbs.
 Maximum capacity (liquid): 2.5 qt.
 Bowl dimensions: Ø7.6" x 6.34"
 Total loading: 1.5 Hp (8,2 A)
 Speed, min-max: 1800 rpm

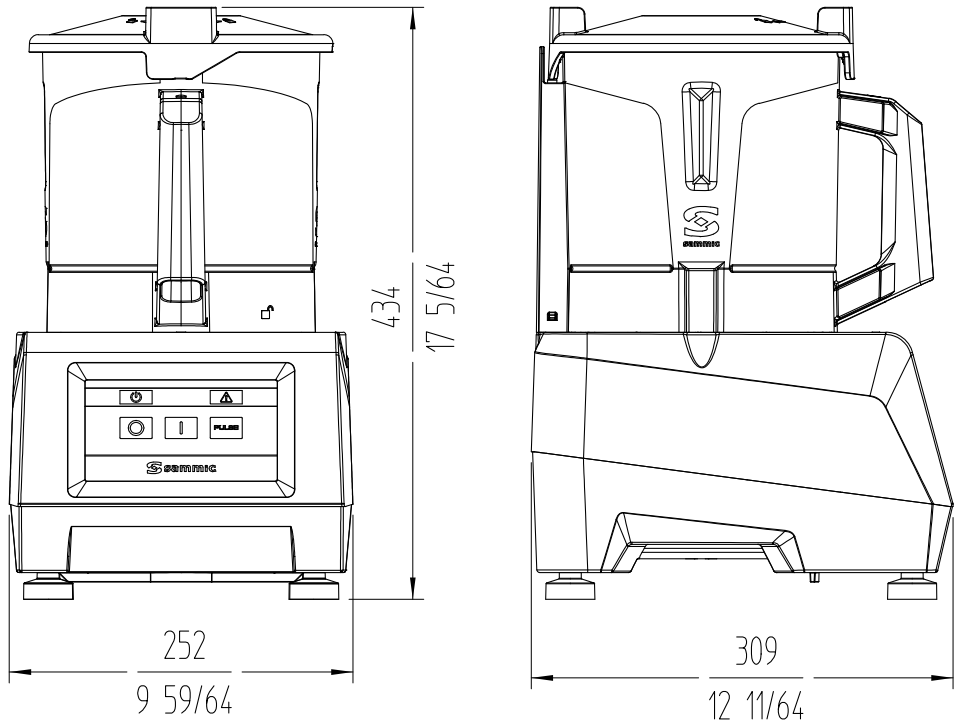
External dimensions (WxDxH)

- ✓ Width: 9.9"
- ✓ Depth: 12.2"
- ✓ Height: 17.1"

Net weight: 31.3 lbs.

Crated dimensions

11.2 x 15.2 x 27.4"
 Volume Packed: 0.08 m³
 Gross weight: 39.7 lbs.





DYNAMIC PREPARATION
 CUTTER-MIXERS & EMULSIFIERS

AVAILABLE MODELS

1050992 Cutter K-41 120/60/1

* Ask for special versions availability

 sammic www.sammic.us Food Service Equipment Manufacturer usa@sammic.com phone +1 (224) 307-2232 1225 Hartrey Avenue toll free +1 844 275 3848 60202-1056 Evanston, IL		Project	Date
		Item	Qty
		Approved	

product sheet
 updated 11/11/21