



VACUUM PACKING MACHINE SE-208 120/50-60/1

Tabletop model. 8 m³/h. 280 mm.



P/N. 1141081



FEATURES AND BENEFITS

- ✓ Powered by Busch.
- ✓ Vacuum controlled by sensor.
- ✓ Vacuum PLUS.
- ✓ Digital keyboard.
- ✓ Control panel equipped with display indicating the exact vacuum percentage.
- ✓ "Pause" button to marinate food.
- ✓ Safe liquid packing thanks to sensor control.
- ✓ Double seal.
- ✓ Cordless sealing bar.
- ✓ Bag-sealing programme.
- ✓ Pulse-controlled decompression.
- ✓ Vac-Norm ready with Automatic decompression.
- ✓ Stainless steel body and chamber. Deep-drawn chamber.
- ✓ Damped transparent lid of highly durable polycarbonate.
- ✓ Dry-oil programme for drying the pump.
- ✓ Working hours counter for oil changes.
- ✓ Safety system with protection against vacuum failure.
- ✓ NSF-listed model.

SALES DESCRIPTION

- 280 mm. sealing bar.
- 8 m³/h Busch vacuum pump.
- Vacuum controlled by sensor.

INCLUDES

- ✓ Sensor Controls
- ✓ Up to 10 seconds of extra vacuum pull
- ✓ Soft air function
- ✓ Dry oil cycle
- ✓ BUSCH pump
- ✓ NSF Approved
- ✓ Clear methacrylate lid
- ✓ Filling plate

ACCESSORIES

- Vacuum packing bags
- External vacuum kit for Vac-Norm, containers and accessories
- Support for liquid packaging
- Additional filling plates



sammic | www.sammic.us
 Food Service Equipment Manufacturer

usa@sammic.com phone +1 (224) 307-2232
 1225 Hartrey Avenue toll free +1 844 275 3848
 60202-1056 Evanston, IL



Project	Date
Item	Qty
Approved	

FOOD PRESERVATION AND SOUS-VIDE
 VACUUM PACKING MACHINES - "SENSOR" LINE

product sheet
 updated 07/07/20



VACUUM PACKING MACHINE SE-208 120/50-60/1

Tabletop model. 8 m³/h. 280 mm.



P/N. 1141081

SPECIFICATIONS

Pump capacity: 240 cf/h

Bar length: 11 "

Total loading: 0.6 Hp

Vacuum pressure (maximum): 2 mbar

Electrical supply: 120 V / 60 Hz / 1 ~ (6.3 A)

Internal dimensions

✓ Width: 11.3 "

✓ Depth: 13 "

✓ Height: 4.3 "

External dimensions (WxDxH)

✓ Width: 13.2 "

✓ Depth: 16.9 "

✓ Height: 13 "

Net weight: 71 lbs.

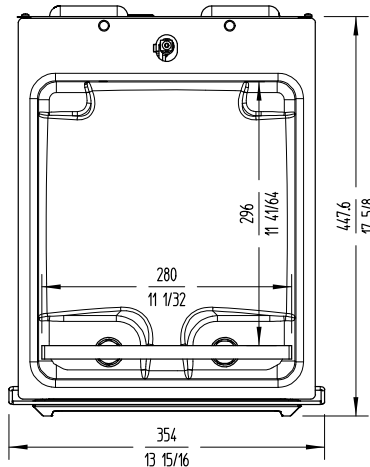
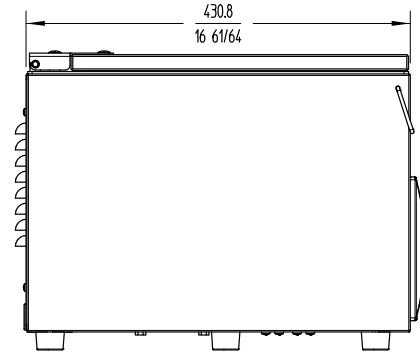
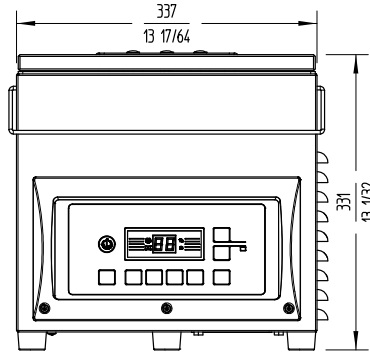
Noise level (1m.): 75 dB(A)

Background noise: 32 dB(A)

Crated dimensions

15.7 x 20.7 x 15.4 "

Gross weight: 77.2 lbs.



FOOD PRESERVATION AND SOUS-VIDE
VACUUM PACKING MACHINES - "SENSOR" LINE

sammic | www.sammic.us
Food Service Equipment Manufacturer

usa@sammic.com
1225 Hartrey Avenue
60202-1056 Evanston, IL

phone +1 (224) 307-2232
toll free +1 844 275 3848



Project	Date
Item	Qty
Approved	

product sheet
updated 07/07/20