



POTATO CHIPPING MACHINE CF-5

Ideal to make perfect french fries for restaurants and large kitchens.



ACCESSORIES

- Knife block and pusher set

SPECIFICATIONS

Hourly production: 200 lbs - 350 lbs

External dimensions (WxDxH)

- ✓ Width: 11 "
- ✓ Depth: 20.1 "
- ✓ Height: 28.9 "

Net weight: 8.6 lbs

Crated dimensions

11.2 x 22.2 x 16.7 "
Gross weight: 12.3 lbs.

AVAILABLE MODELS

1020061	Hand chipping machine CF-5 · 10 x 10 mm (3/8" x 3/8")
---------	---

* Ask for special versions availability

SALES DESCRIPTION

Output: 200-350 lbs/hour.

Equipped with a knife block and pusher set.

A full 7" hotel pan fits under the unit: the French fry cutter machine can be used on the counter instead of mounted to the wall.

- ✓ Light stainless alloy body: light and strong.
- ✓ Clean cut, without breaching or throw-away and without fatigue.
- ✓ The use of exchangeable knife blocks and pusher sets allows thicknesses of 8, 10 or 12 mm to be achieved.
- ✓ Controls and nuts and bolts in stainless steel.
- ✓ The pusher ejects the chips and leaves the grid free.
- ✓ Extended handle which provides optimal results with minimal effort.
- ✓ Comfortable use: The springs at the rear leave the grid completely free.
- ✓ The springs are highly flexible compensators which help to raise the presser-ejector.
- ✓ Equipped with suction feet to provide stability on the work surface.
- ✓ Easy to clean.
- ✓ Blade units of various sizes and holding bowls for cut potatoes are available as optional accessories.

INCLUDES

- ✓ 1 Knife block + pusher set.

OPTIONAL

- Knife block + pusher sets of different sizes.
- Recipient for cut potato. (See gastronorm containers, maximum 1/1 150mm.).

DYNAMIC PREPARATION
FRENCH FRY CUTTER MACHINE



product sheet
updated 10/21/22

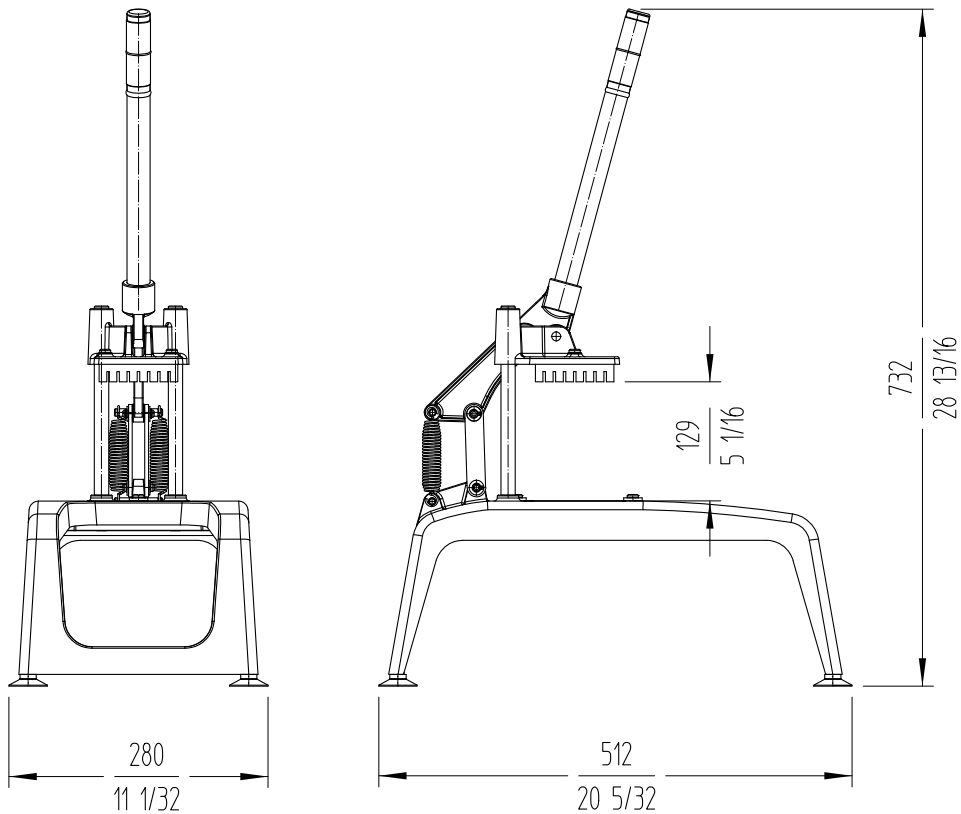


POTATO CHIPPING MACHINE CF-5

Ideal to make perfect french fries for restaurants and large kitchens.



DYNAMIC PREPARATION
FRENCH FRY CUTTER MACHINE



sammic | www.sammic.us
Food Service Equipment Manufacturer

usa@sammic.com phone +1 (224) 307-2232
 1225 Hartrey Avenue toll free +1 844 275 3848
 60202-1056 Evanston, IL



Project	Date
Item	Qty
Approved	

product sheet
 updated 10/21/22