



VACUUM PACKING MACHINE SE-416 120/50-60/1

Tabletop model. 16 m³/h. 420 mm.



Cód. 1140637

FEATURES AND BENEFITS

- ✓ Powered by Busch.
- ✓ Vacuum controlled by sensor.
- ✓ Vacuum PLUS.
- ✓ Digital keyboard.
- ✓ Control panel equipped with display indicating the exact vacuum percentage.
- ✓ "Pause" button to marinate food.
- ✓ Safe liquid packing thanks to sensor control.
- ✓ Double seal.
- ✓ Cordless sealing bar.
- ✓ Bag-sealing programme.
- ✓ Pulse-controlled decompression.
- ✓ Vac-Norm ready with Automatic decompression.
- ✓ Stainless steel body and chamber. Deep-drawn chamber.
- ✓ Damped transparent lid of highly durable polycarbonate.
- ✓ Dry-oil programme for drying the pump.
- ✓ Working hours counter for oil changes.
- ✓ Safety system with protection against vacuum failure.

INCLUDES

- ✓ Sensor Controls
- ✓ Up to 10 seconds of extra vacuum pull
- ✓ Soft air function
- ✓ Dry oil cycle
- ✓ BUSCH pump
- ✓ NSF Approved
- ✓ Clear methacrylate lid
- ✓ Filling plate



SALES DESCRIPTION

420 mm. sealing bar.
 16 m³/h Busch vacuum pump.
 Vacuum controlled by sensor.

FOOD PRESERVATION AND SOUS-VIDE
 VACUUM PACKING MACHINES - "SENSOR" LINE



SAMMIC, S.L.
 Basiglio, 1 - 20720 AZCOITTA
 www.sammic.com

sammic | www.sammic.us
 Food Service Equipment Manufacturer

usa@sammic.com phone +1 (224) 307-2232
 1225 Hartrey Avenue toll free +1 844 275 3848
 60202-1056 Evanston, IL



Project	Date
Item	Qty
Approved	

product sheet
 updated 19/04/2018



VACUUM PACKING MACHINE SE-416 120/50-60/1

Tabletop model. 16 m³/h. 420 mm.



Cód. 1140637

SPECIFICATIONS

Pump capacity: 560 cf/h
 Bar length: 16.5 "
 Total loading: -- Hp
 Vacuum pressure (maximum): 2 mbar
 Electrical supply: 120 V / 60 Hz / 1 ~ (8 A)

Internal dimensions

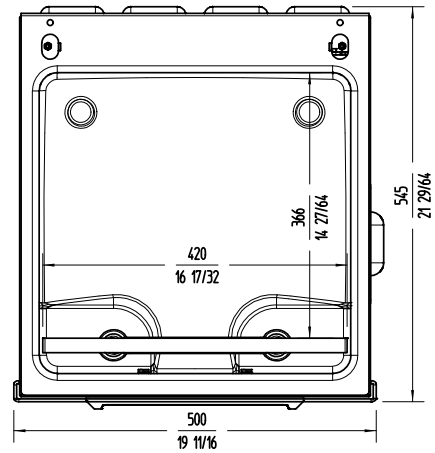
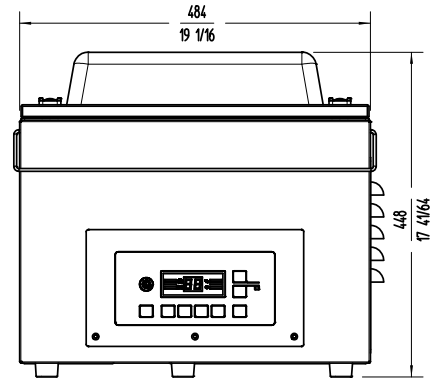
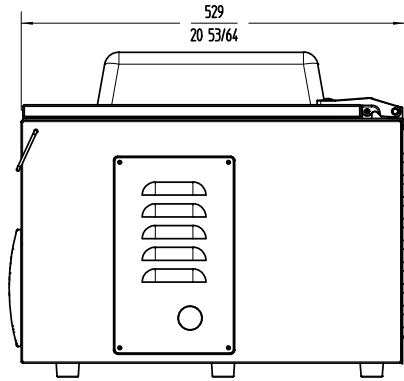
- ✓ Width: 17 "
- ✓ Depth: 16 "
- ✓ Height: 7 "

External dimensions (WxDxH)

- ✓ Width: 19 "
 - ✓ Depth: 20.8 "
 - ✓ Height: 17.6 "
- Net weight: 144 lbs.
 Noise level (1m.): -- dB(A)
 Background noise: 32 dB(A)

Crated dimensions

600 x 600 x 620 mm
 Gross weight: 56.5 Kg.



ACCESSORIES

- Bag cutting kits
- Filling plates
- Liquid insert plates
- Vac-norm external vacuum kits
- Vac-norm containers
- Smooth bags for vacuum packing
- Trolley for vacuum packing machines

FOOD PRESERVATION AND SOUS-VIDE
 VACUUM PACKING MACHINES - "SENSOR" LINE

sammic | www.sammic.us
 Food Service Equipment Manufacturer

usa@sammic.com phone +1 (224) 307-2232
 1225 Hartrey Avenue toll free +1 844 275 3848
 60202-1056 Evanston, IL



Project	Date
Item	Qty
Approved	

product sheet
 updated 19/04/2018