



# ID150 / ID200 / ID250 - Ice Dispensers

Ice Only Counter Top Dispensers



ID250



ID200



ID150

## Features

- Three sizes to fit the needs of any application.
- Heavy-duty agitator motor for long life.
- Adjustable off-cycle agitation for various ice forms and ambient conditions.
- Heavy-duty agitator reduces ice jams and bridging.
- Reliably dispenses nugget ice with confidence.
- Insulated, heavy-duty drip tray prevents condensation.
- Greater dispensable ice for periods of peak demand.
- All components front accessible.

ID150 / ID200 / ID250 - Ice Dispensers



## Machine Stands



For installation where counter space is not available to accommodate an ice only dispenser unit, the IOBDM522 & IOBDM530 machine stands are the solution.



## Certification



## Warranty

- 1 year labor on all components.
- 2 years parts on all components.
- Warranty valid in North, South & Central America for commercial installations.
- Contact factory for warranty in other regions.
- Residential Applications: 1 year parts and labor

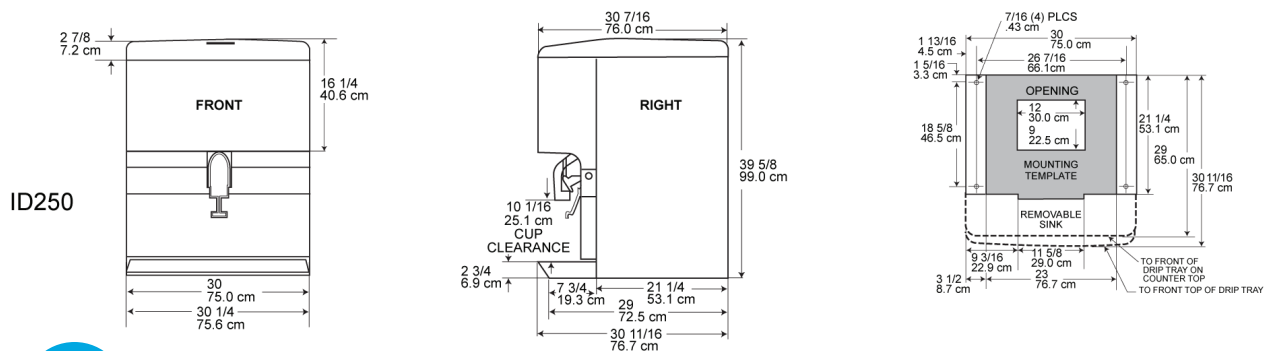
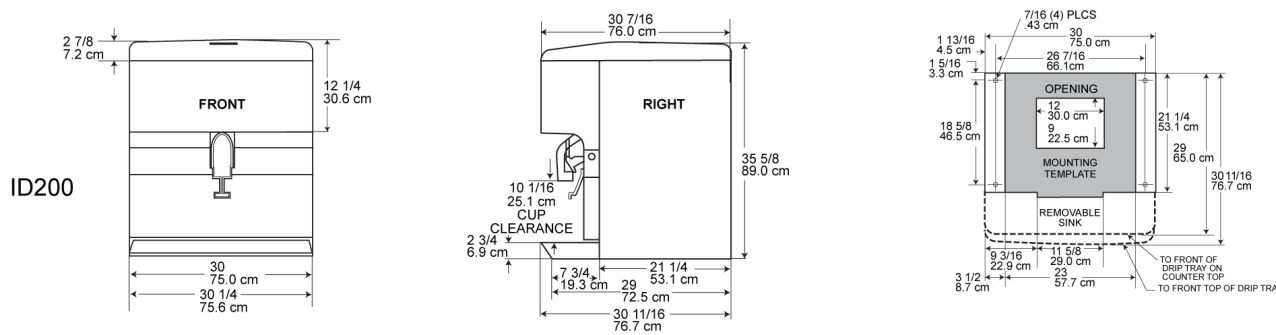
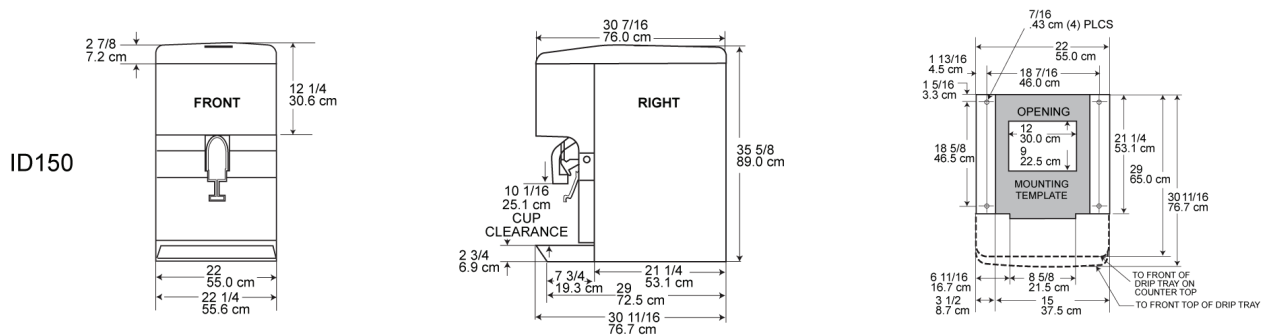


• 101 Corporate Woods Parkway, Vernon Hills, IL 60061 •  
• 1-800-SCOTSMAN • Fax: 847-913-9844 • [www.scotsman-ice.com](http://www.scotsman-ice.com) • [customer.relations@scotsman-ice.com](mailto:customer.relations@scotsman-ice.com) •

# ID150 / ID200 / ID250 - Ice Dispensers

## Ice Only Counter Top Dispensers

Installation Note: Allow 6" space at left, back and right side for ventilation and utility connections. Recommended counter opening size 9" x 12" for utilities and tubing. Opening can be located anywhere within the shaded area.



### Specifications

Model Number	Dimensions* (W x D x H)	Storage Capacity (lb/kg)	Actuation	Basic Electrical Volts/Hz/Phase	Max. Fuse Size or HACR Circuit Breaker (amps)	Circuit Wires	Min. Circuit Ampacity
ID150	22" x 30" x 35.63"	150/68	Push Bar	115/60/1	15	2	Cord
ID200	30" x 30" x 35.63"	200/91	Push Bar	115/60/1	15	2	Cord
ID250	30" x 30" x 39.63"	250/114	Push Bar	115/60/1	15	2	Cord

All units with stainless steel finish and plastic front and top panels. Not designed for outdoor installation.  
\*Add 4" height for legs.



### All Models

Model #	Carton (W x D x H)	Weight (lb/kg)
ID150	25" x 35" x 42"	149/68
ID200	35" x 36" x 45"	183/83
ID250	35" x 36" x 45"	188/85



### Accessories

Model Number	Description
IOBDM522	Machine stand for ID150
IOBDM530	Machine stand for ID200 & ID250
KNUGDIV	Field installed nugget ice kit for all ID dispensers
KWGFID	Field installed water glass filler kit for all ID dispensers