



Project:

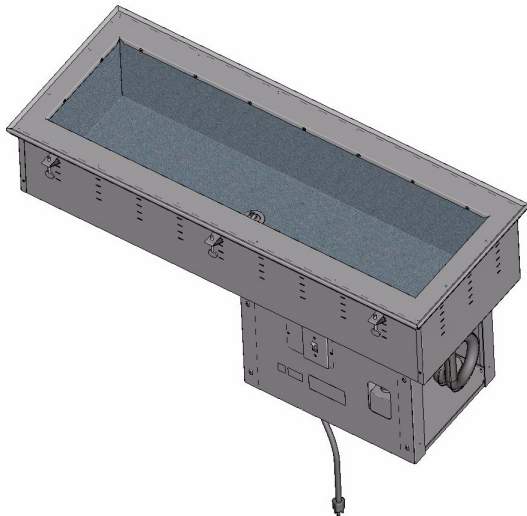
Item Number:

Quantity:

Short Side Modular Drop-in: Refrigerated Cold Pans

The Vollrath Company, L.L.C.

SHORT SIDE MODULAR DROP-IN: REFRIGERATED COLD PANS



Short Side Modular Drop-In: Standard Refrigerated Cold Pan

DESCRIPTION

The short side modular drop-in standard (non-NSF7) refrigerated cold pans are designed for top-mount installation.

A full-perimeter drip edge contains spills and condensation within the stainless steel countertop area of the drop-in.

High-density polyurethane foam insulation surrounds the exterior of the well to provide the most efficient performance with energy savings.

The 8" (20.3 cm) deep display well is designed to accommodate standard 12" x 20" (30.5 x 50.8 cm) pans with adaptor bars.

Refrigeration coils surround the exterior side walls of well for maximum cooling. Refrigerant is R134A to meet federal standards.

1" (2.5 cm) integrated drain is standard. Optional perforated false bottom is available.

- MODELS**
- 36652 Two Pan
 - 36655 Three Pan
 - 36658 Four Pan

FEATURES

- Top is 18-gauge stainless steel, with 3/8" (9.52 mm) overhang on all sides and die stamped with a full-perimeter drip edge. Molded breaker gasket fitted under drip edge.
- Flat work surface around opening.
- Seamless well is 18-gauge stainless 8" (20.3 cm) deep.
- 1" (2.5 cm) integral drain is standard.
- Refrigeration coils surround exterior side walls of well.
- Inner well assembly insulated with foamed-in-place polyurethane foam insulation.
- Condensing unit suspended below well.
- Temperature control on compressor.
- For complete air circulation, two 8" x 10" (20.3 x 25.4 cm) openings in the cabinet are required.
- Exterior housing is 18-gauge galvanized steel.
- Optional perforated false bottom is nominal 1" (2.5 cm) high and constructed of 18-gauge 300 series stainless steel. False bottom will reduce pan depth by same dimension. False bottom options:

Drop-In Model	False Bottom Model
36652	70100 – Quantity 2
36655	70100 – Quantity 3
36658	70100 – Quantity 4

- Unit comes with cord and plug and does not require hard wiring.
- On/Off switch is mounted on the side of the compressor housing.
- Positioning clips are provided to center the drop-in within the cutout.
- One-year parts and labor warranty. Additional four years on the compressor.
- Refrigerated cold drop-ins are best used for holding periods up to 4 hours – for best performance, stainless steel containers are recommended.

Agency Certifications



Approvals
<p style="text-align: right;">Date:</p>



Setting the Standard™

www.vollrathco.com

The Vollrath Company, L.L.C.
 1236 North 18th Street
 Sheboygan, WI 53081-3201
 U.S.A.
 Main Tel: 800.628-0830
 Service Tel: 800.628.0832
 FAX: 800.752.5620

Vollrath of Canada, Co.
 Tel: 800.695.8560
 FAX: 800.752.5620

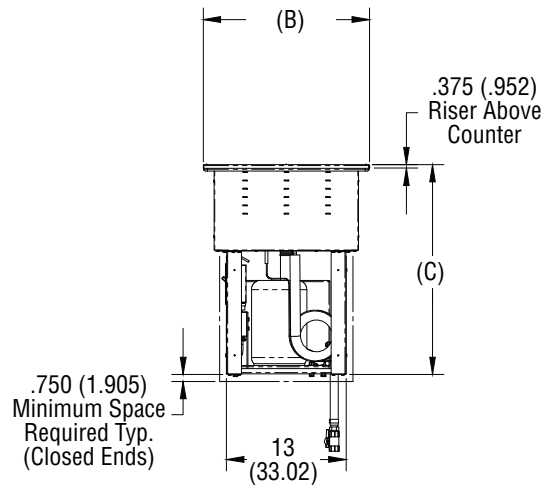
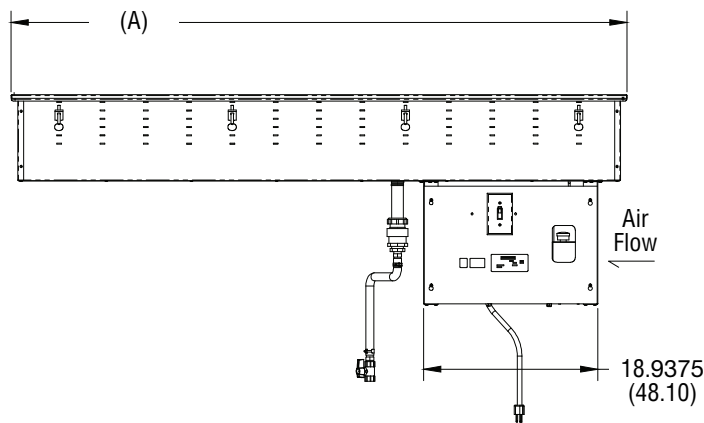
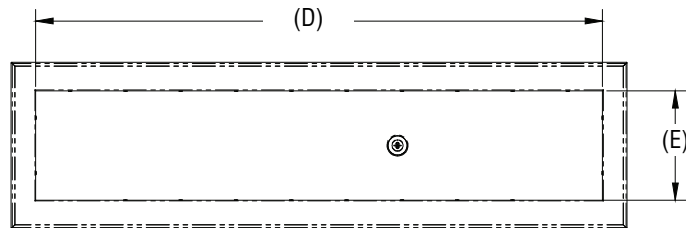
A City Discount

SHORT SIDE MODULAR DROP-IN: REFRIGERATED COLD PANS

MODELS: 36652 Two Pan
 36655 Three Pan
 36658 Four Pan

DIMENSIONS

- Opening cutout must have a 7/8" (2.2 cm) corner radius.
- Dimensions shown in inches (cm).



Item	(A) Length	(B) Width	(C) Height	Display Area		Cutout		Comp	Voltage	Amps	Plug	Receptacle
				(D)	(E)	Length	Width					
36652	45.437 (115.411)	18.062 (45.878)	22.812 (57.943)	40.75 (103.50)	11.875 (30.162)	44.687 (113.506)	17.312 (43.973)	1/4 HP	120	4.9	5-15P	5-15R
36655	66.875 (169.862)	18.062 (45.878)	22.812 (57.943)	61.50 (156.21)	11.875 (30.162)	66.125 (173.037)	17.312 (43.973)	1/4 HP	120	4.9	5-15P	5-15R
36658	88.312 (224.313)	18.062 (45.878)	22.812 (57.943)	82.25 (208.915)	11.875 (30.162)	87.562 (222.408)	17.312 (43.973)	1/4 HP	120	4.9	5-15P	5-15R



www.vollrathco.com

The Vollrath Company, L.L.C.
 1236 North 18th Street
 Sheboygan, WI 53081-3201
 U.S.A.
 Main Tel: 800.628-0830
 Service Tel: 800.628.0832
 FAX: 800.752.5620

Vollrath of Canada, Co.
 Tel: 800.695.8560
 FAX: 800.752.5620