

Sunfire Series

Electric Convection Ovens

Installation, Operation and Maintenance Manual

This manual is updated as new information and models are released. Visit our website for the latest manual.



models

SCO-ES-10S
SCO-ES-20S



SAFETY NOTICES

WARNING:

This product contains chemicals known to the state of California to cause cancer and/or birth defects or other reproductive harm. Installation and servicing of this product could expose you to airborne particles of glass wool/ceramic fibers. Inhalation of airborne particles of glass wool/ceramic fibers is known to the state of California to cause cancer.

Keep appliance area free and clear of combustibles.

FOR YOUR SAFETY:

DO NOT STORE OR USE GASOLINE OR OTHER FLAMMABLE VAPORS OR LIQUIDS IN THE VICINITY OF THIS OR ANY OTHER APPLIANCE

WARNING:

IMPROPER INSTALLATION, ADJUSTMENT, ALTERATION, SERVICE OR MAINTENANCE CAN CAUSE PROPERTY DAMAGE, INJURY, OR DEATH. READ THE INSTALLATION, OPERATING AND MAINTENANCE INSTRUCTIONS THOROUGHLY BEFORE INSTALLING OR SERVICING THIS EQUIPMENT

PLEASE READ ALL SECTIONS OF THIS MANUAL AND RETAIN FOR FUTURE REFERENCE.

THIS PRODUCT HAS BEEN CERTIFIED AS COMMERCIAL COOKING EQUIPMENT AND MUST BE INSTALLED BY PROFESSIONAL PERSONNEL AS SPECIFIED.

INSTALLATION AND ELECTRICAL CONNECTION MUST COMPLY WITH CURRENT CODES:
IN CANADA - THE CANADIAN ELECTRICAL CODE PART 1 AND / OR LOCAL CODES.
IN USA – THE NATIONAL ELECTRICAL CODE ANSI / NFPA – CURRENT EDITION.

ENSURE ELECTRICAL SUPPLY CONFORMS WITH ELECTRICAL CHARACTERISTICS SHOWN ON THE RATING PLATE.

Users are cautioned that maintenance and repairs must be performed by a Garland authorized service agent using genuine Garland replacement parts. Garland will have no obligation with respect to any product that has been improperly installed, adjusted, operated or not maintained in accordance with national and local codes or installation instructions provided with the product, or any product that has its serial number defaced, obliterated or removed, or which has been modified or repaired using unauthorized parts or by unauthorized service agents.

For a list of authorized service agents, please refer to the Garland web site at <http://www.garland-group.com>. The information contained herein, (including design and parts specifications), may be superseded and is subject to change without notice.

Power Failure

In the event of a power failure, no attempt should be made to operate this oven.

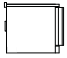
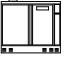
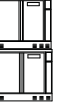

TABLE OF CONTENTS

SAFETY NOTICES.....	2	PERFORMANCE RECOMMENDATIONS ..	10
GENERAL INFORMATION	5	PROBLEM/SOLUTIONS	11
Model Numbers	5	COOKING GUIDE.....	12
Warranty	5	CLEANING AND MAINTENANCE.....	13
Serial Plate Location.....	5	Break-In Period	13
Accessories	5	Exterior Cleaning	13
DIMENSIONS AND SPECIFICATIONS,		Interior Cleaning	13
MODEL SCO-ES-10S/20S.....	6	Fan Area Maintenance	13
INSTALLATION.....	7	Motor Care	13
Entry Clearance	7		
Installation Clearance	7		
Installation Of Ovens Equipped With Casters ..	7		
Installation of Double Deck Models	7		
Electrical Connections.....	8		
OPERATING INSTRUCTIONS.....	9		
Sunfire 200 Solid State Control with Electromechanical Timer	9		
In Off Mode	9		
Start Up.....	9		
Fan Speed Selection (If equipped).....	9		
Single Fan Speed	9		
Lights (If equipped).....	9		
Cool Down.....	9		
Temperature	9		
Timer	9		

THIS PAGE INTENTIONALLY LEFT BLANK

GENERAL INFORMATION

Model Numbers

Model	Standard Depth	Single Deck	Double Deck	Single Speed Motor Control
				
SCO-ES-10S	✓	✓		✓
SCO-ES-20S	✓		✓	✓

Warranty

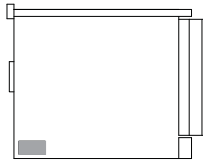
Visit www.Garland-Group.com to view or download a copy of your warranty.

Serial Plate Location

When corresponding with the factory or your local authorized factory service center regarding service problems or replacement parts, be sure to refer to the particular unit by the correct model number (including the prefix and suffix letters and numbers) and the warranty serial number.

Ovens Built between 01-APR-2011 and 02-FEB-2015

- The serial plate is affixed to the lower left corner of the left body panel.



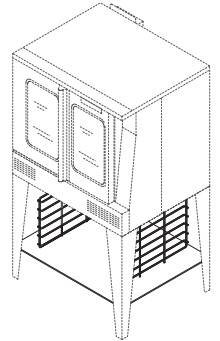
Ovens Built after 02-FEB-2015

- The serial plate is affixed to the upper right corner of the left body panel.



Accessories

- Stainless steel open base with rack guides and shelf (in lieu of 25-inch legs) for extra rack/pan storage, single deck oven only



- Swivel Casters (set of 4) with front brakes



- Extra oven rack



- Removable stainless steel drip pan

DIMENSIONS AND SPECIFICATIONS, MODEL SCO-ES-10S/20S

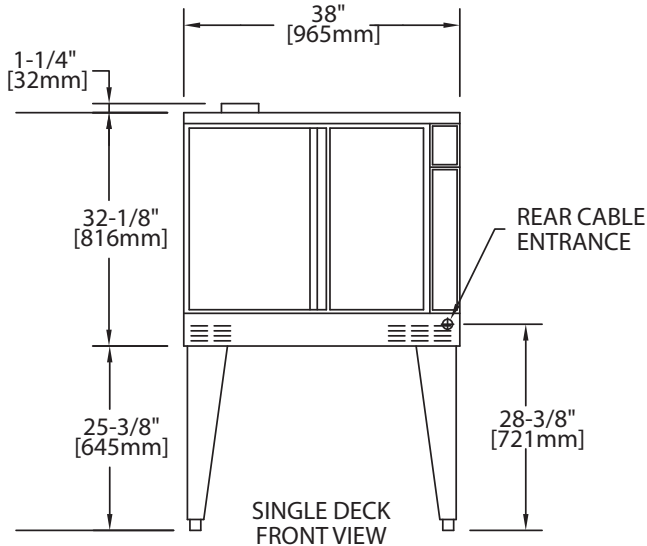
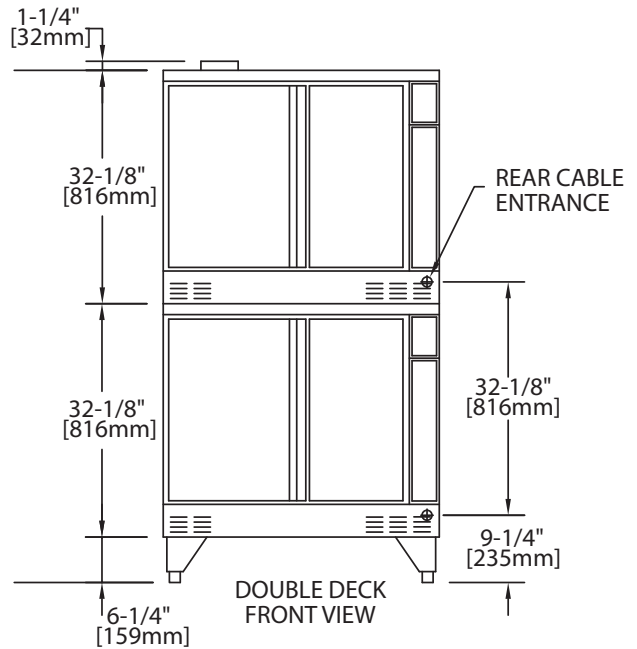
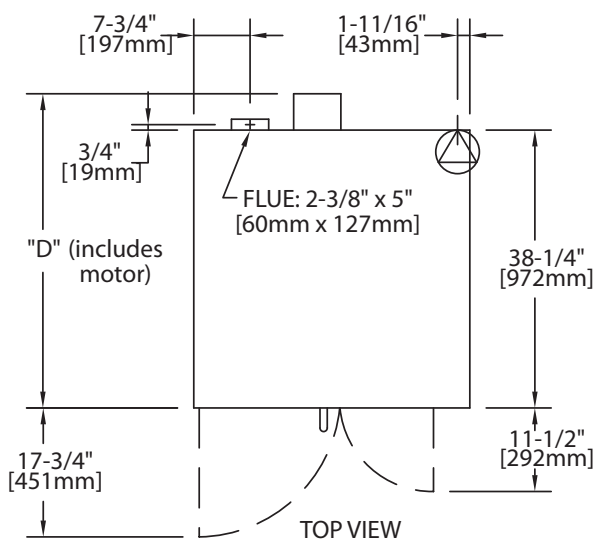
Model	Int. Dimensions :In (mm)			Ext. Dimensions: In (mm)			Ship Wt Lbs/kg	Ship Dim. Cubic Ft.
	W	H	D	W	H	D (w/ motor)		
SCO-ES-10S	29 (736)	24 (610)	24 (610)	38 (965)	57-1/2 (1461)	41-1/4 (1048)	515/230	64
SCO-ES-20S	29 (736)	24 (610)	24 (610)	38 (965)	70-1/2 (1791)**	41-1/4 (1048)	1030/465	128

** Height with legs or with standard casters. Height with low profile casters (double deck) is 68-1/2" (1740mm).

Model	Total kW	Nominal Amperes Per Line (includes 3/4 HP fan motor)							
		208V/1Ph	240V/1Ph	208V/3Ph			240V/3Ph		
				X	Y	Z	X	Y	Z
Single Deck	10.4	50	43	30	30	28	26	26	24
Double Deck* each oven	10.4	50	43	30	30	28	26	26	24

* Double Deck Models are provided with individual power supply connections.

Standard electrical specifications include motor requirements. Single speed motor, 3/4 HP, 1725rpm, 60Hz; optional 2-speed motor: 1140 / 1725 rpm, 60Hz. Please specify electrical characteristics when ordering.



Many local codes exist and it is the responsibility of the owner and installer to comply with those codes. These appliances are intended for commercial use by professionally trained personnel.

INSTALLATION

Entry Clearance

- Crated: 47" (1194mm)
- Uncrated: 32-1/2" (826mm)

Installation Clearance

NOTE: Always provide adequate clearance for maintenance and operation.

- Installation adjacent to combustible and non-combustible wall, minimum clearance:

	Left Side	Control Side	Rear
Single-Deck	1" (26 mm)	1" (26 mm)	3" (77 mm)
Double-Deck	1" (26 mm)	2" (51 mm)	3" (77 mm)

- Installation near high heat producing equipment, minimum clearance:

	Left Side	Control Side	Rear
Single-Deck	1" (26 mm)	6" (153 mm)	3" (77 mm)
Double-Deck	1" (26 mm)	6" (153 mm)	3" (77 mm)

Notice

Avoid installing ovens near equipment, such as char-broilers or fryers, which generate high heat and high grease laden air.

- Clearance for Service (recommendation):

	Control Side, minimum
Single-Deck	12" (305 mm)
Double-Deck	12" (305 mm)

NOTE: Install units with casters in very tight locations for ease of service.

Installation Of Ovens Equipped With Casters

- For an appliance equipped with casters, the installation shall be made with a connector that complies with the Standard for connectors for Movable Appliances, ANSI Z21.69. Adequate means must be provided to limit the movement of the appliance without depending on connector wiring.
- The front casters of the unit are equipped with brakes to limit the movement of the oven without depending on the connector wiring to limit the appliance movement.
- The restraint can be attached to the unit near the electrical inlet. If the restraint is disconnected, be sure to reconnect the restraint after the oven has been returned to its originally installed position.

Installation of Double Deck Models

- Position insert in bottom leg opening and tap insert up into leg until it seats at collar. Attach six inch (6", 152mm) legs to lower oven section. Raise unit or lay on its left side. Place the front legs on the oven so as to line up with four (4) attaching bolt holes. Secure leg to oven frame using four (4) 3/8-16 x 3/4 bolts and washers provided. Repeat at rear of unit.
- Remove lower front cover of top deck (located under oven doors). Raise top deck into place and line up body sides and back of the unit. Fasten the rear of the units together, with the stacking bracket, using (6) 1/4-20 machine screws, lock washers and nuts, (provided).
- Install the interconnecting flue parts, carefully following the instructions contained in the stacking kit. Pay particular attention to the type of ovens you are stacking and be sure to follow the corresponding instructions.
- Check leveling of unit four (4) ways (using a common carpenter's level on the rack inside the oven).
- Maintain clearance from combustibles.

INSTALLATION Continued

Electrical Connections

Before attempting the electrical connection, the rating plate should be checked to ensure that the unit's electrical characteristics and the supply electrical characteristics agree.

Installation of the wiring must be made in accordance with U.L. 197 Commercial Electric cooking Appliance Standards, Local and/or National electrical Code, ANSI/NFPA 70-1990.

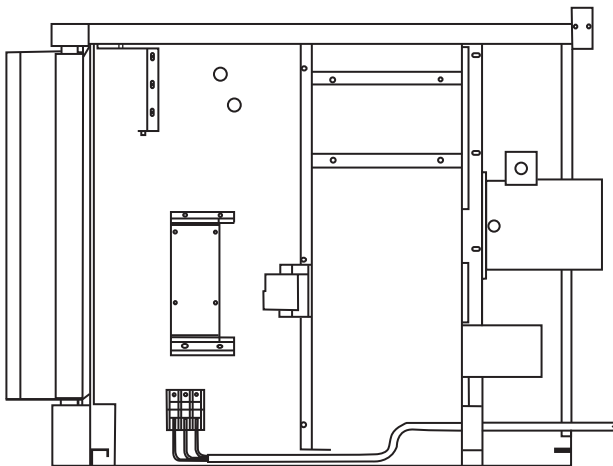
1. Switch panel size
2. Overload protection
3. Wire type
4. Wire size
5. Temperature limitations of the wires
6. Method of connection (Cable, Conduit, etc)

The service line will enter through the rear of the unit and is to be connected to the terminal block (see diagram left). The terminal block is accessed by removing the lower front cover. Removal of the body side is not necessary.

Input voltage and phasing must match the units voltage and phasing. Wiring diagram is attached to the main back of each oven. Visually check all electrical connections. Energize electric service to units.

The oven is wired per original factory order. If it is necessary to change to single-phase or three-phase, please refer to kit part number 4533009.

Service and unit voltage must agree.



OPERATING INSTRUCTIONS

Sunfire 200 Solid State Control with Electromechanical Timer

In Off Mode

When the oven is off, there are no lights or indicators.

Start Up

Press the Cook/Off/Cool Down rocker switch to the "Cook" position. The green lamp will light indicating the oven is powered in cook mode.

The oven will begin to heat to the temperature set on the thermostat dial. The amber lamp will light indicating the heat is active. As the heat cycles on and off to maintain the set temperature this light will go on and off accordingly.

The door must be closed for the oven to operate in cook mode. Opening the door will cause the heat to stop and the motor and fan will shut off. *This is a safety feature.*

Fan Speed Selection (If equipped)

The fan speed can be either high (1725 RPM) or low (1140 RPM). The fan speed is controlled by the left rocker switch marked high and low.

Single Fan Speed

Single speed units operate at high (1725 RPM) only and do not have a fan speed switch on the control panel.

Lights (If equipped)

The oven lights are activated by pressing the light switch on the control panel. This is a momentary switch and the lights will only stay lit as long as this button held in the on position. Lights will work whenever there is electrical power connected to the oven. Unit not equipped with lights do not have a light switch on the control panel

Cool Down

Pressing the Cook/Off/Cool down rocker switch to the Cool down position activates the fan and motor to cool the oven cavity. The door must be open slightly for the fan and motor to start. The heat is not active in this mode.

Optimal cool down will be achieved with the door open slightly. Opening the door too far will shut the fan and motor off. *This is a patented safety feature.*

Pressing the button to the OFF position cancels the cool down and turns the oven off.

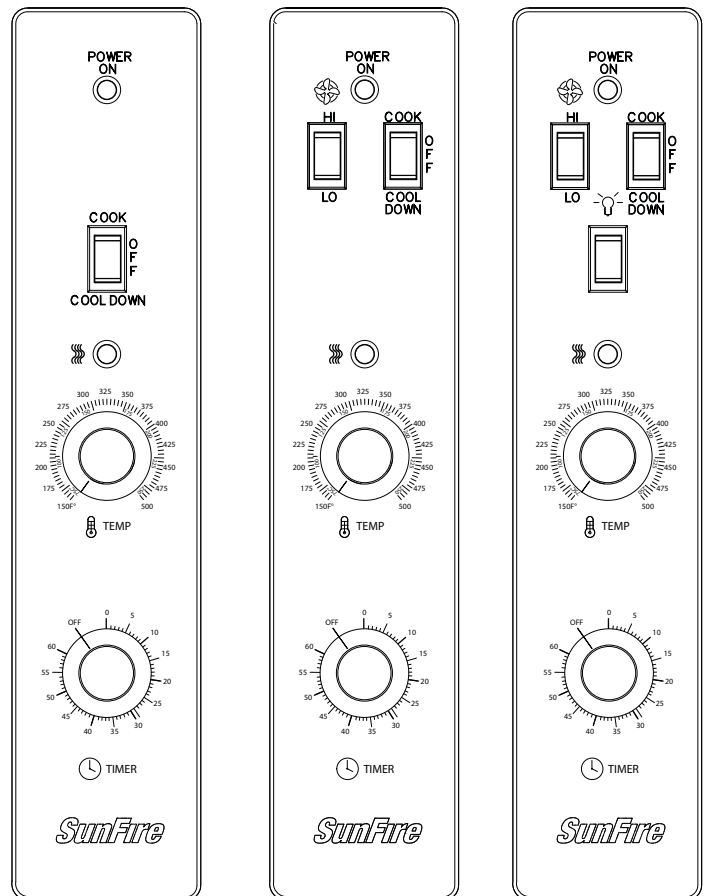
Temperature

The temperature range is from 150° to 500°F (66°C to 250°C) is controlled by rotating the temperature dial and aligning the indicator to the desired temperature.

Timer

The timer is set by rotating the dial clockwise aligning the indicator to the desired time cycle. The timer will count down from 2 minutes to 60 minutes. At the end of the timing cycle the buzzer will sound. The buzzer is turned off by rotating the dial counter-clockwise to the off position as shown on the control panel.

NOTE: The timer does not control heating.



Single Speed Motor Control Panel

Standard on SCO-ES-10S/20S Models

Two Speed Motor Control Panel (Optional)

Two Speed Motor Control Panel with Oven Interior Light (Optional)

PERFORMANCE RECOMMENDATIONS

1. Preheat oven thoroughly (approx. 20 minutes) before use.
2. As a general rule, temperature should be reduced 25° to 50° from that used in a standard/conventional oven. Cooking time may also be shorter, so we suggest closely checking the first batch of each product prepared.
3. Use the chart of suggested times and temperatures as a guide. These will vary depending upon such factors as size of load, temperature, and mixture of product (particularly moisture) and density of product.
4. Keep a record of the times, temperature, and load sizes you establish for various products. Once you have determined these, they will be similar for succeeding loads.
5. When practical, start cooking the lowest temperature product first and gradually work up to higher temperatures.
6. If you find that your previous temperature setting is more than 10° higher than needed for succeeding loads, press **COOL DOWN** to reach the desired temperature before setting a new cooking temperature.
7. When loading oven, work as quickly as possible to prevent loss of heat.
8. Oven will continue to heat even though the timer goes off. Product should be removed from the oven as soon as possible to avoid over cooking.
9. Center pans on racks and load each shelf evenly to allow for proper air circulation within the cavity.
10. When baking, weigh or measure the product in each pan to assure even cooking.
11. When cooking five pans, use rack positions 1, 4, 6, 8, and 10, starting from the top.
12. Do not overload the oven. Five pans are suggested for most items, i.e., cakes, cookies, rolls, etc. However, the maximum (10 pans) may be used for fish sticks, chicken nuggets and hamburgers. Cooking times will have to be adjusted.
13. Muffin pans should be placed in the oven back to front or with the short side of the pans facing the front. This results in the most evenly baked product.
14. When re-thermalizing frozen casseroles, preheat the oven 100° over the suggested temperature. Return to cooking temperature when the oven is loaded. This will help compensate for the introduction of a large frozen mass into the cavity.
15. Use pan extenders or two inch deep 18" x 26" pans for batter type products which weigh more than eight pounds, i.e., Pineapple Upside down Cake.
16. Never place anything directly on the bottom of the oven cavity. This obstructs the airflow and will cause uneven results.
17. Ovens equipped with 2-speed fan motor options will yield better baking results, particularly with delicate pastries.

NOTE: Moisture will escape around the doors when baking products with heavy moisture content, such as chicken, potatoes, etc. This is normal.

PROBLEM/SOLUTIONS

Problem	Solution
Cakes are dark on the sides and not done in the center	Lower oven temperature
Cakes edges are too brown	Reduce number of pans or lower oven temperature
Cakes have light outer color	Raise temperature
Cake settles slightly in the center	Bake longer or raise oven temperature slightly. Do not open doors too often or for long periods
Cake ripples	Overloading pans or batter is too thin
Cakes are too coarse	Lower oven Temperature
Pies have uneven color	Reduce number of pies per rack or eliminate use of bake pans
Cupcakes crack on top	Lower oven temperature
Meats are browned and not done in center	Lower temperature and roast longer.
Meats are well done and browned	Reduce time. Limit amount of moisture
Meats develop hard crust	Reduce temperature or place pan of water in oven.
Rolls have uneven color	Reduce number or size of pans.

COOKING GUIDE

The following suggested times and temperatures are provided as a starting guide. Elevation, atmospheric conditions, recipe, cooking pans and if your oven has a 2-speed motor fan option may affect your actual results.

PRODUCT	TEMPERATURE (°F)	TIME
Cakes		
White Sheet Cakes – 5 lbs	300°	20 min
White Sheet Cakes – 6 lbs	300°	22 min
Yellow Sheet Cake – 5 lbs	325°	15 min
Chocolate Layer Cake – 21 oz	300°	22 min
Angel Food Cake	375°	22 min
Brownies	350°	15 min
Breads		
Soda Biscuits	400°	6 min
Yeast Rolls	325°	24 min
Sweet Bread	325°	24 min
Corn Bread	350°	22 min
Gingerbread	300°	24 min
Apple Turnovers	350°	25 min
Cream Puffs	300°	25 min
Sugar Cookies	325°	12 min
Chocolate Chip cookies	375°	8 min
Apple Pie (Fresh)	375°	25 min
Blueberry Pie (Fresh)	350°	30 min
Blueberry Pie (Frozen)	300°	50 min
Pumpkin Pie (Frozen)	300°	50 min
Frozen Pizza	300°	6 min
Macaroni & Cheese	350°	15 min
Fish Sticks	350°	16 min
Stuffed Peppers	350°	45 min
Baked Potatoes	350°	60 min
Meats		
Chick Parts	350°	45 min
Hamburger Patties-10/lb frozen	350°	8 min
Hamburger Patties - 10/lb fresh	350°	5 min
Hamburger Patties - 4/lb frozen	350°	12 min
Hamburger Patties – 4/lb fresh	350°	8 min
Meatloaf – 4lb	325°	45 min
Bacon	350°	10 min
Roast Beef 20lb	325°	3 hr 15 min
Prime Rib 10lb	300°	1 hr 45 min
Stuffed Port chops	350°	45 min
Lamb chops	375°	40 min
Boneless Veal Roast	300°	3 Hr

CLEANING AND MAINTENANCE

Note: Disconnect line cord from power supply before cleaning or servicing.

Break-In Period

When oven is new, operate it for one hour at 375°F (191°C) before you begin your normal cooking operation. After cooling, wipe the interior, including the racks, with a clean damp cloth.

Exterior Cleaning

Establish a regular schedule. Any spills should be wiped off immediately.

1. The oven should always be allowed to cool sufficiently before any cleaning is attempted.
2. Wipe exposed, cleanable surface when cool with a mild detergent and hot water. Stubborn residue spots may be removed with a lightweight non-metallic scouring pad. Dry thoroughly with a clean cloth.
3. Stubborn stains may be removed by using a non-metallic abrasive pad, rubbing in the direction of the metal's grain. If necessary, for particularly heavy deposits, you may mix a thin paste of water and scouring powder, and apply it with a sponge. Be careful to apply light pressure and remember to rub only in the direction of the grain in the metal.
4. The control panel surface is easily cleaned with hot water, soap and a soft cloth. Do not use hard abrasives, solvent type materials or metallic scouring pads since these will scratch or cloud the surface.
5. Never spray the perforated areas or control panel with steam or water, as this will allow moisture into the control cavity, which could damage electrical components.

Interior Cleaning

Establish a regular cleaning schedule or wipe off, on the same day when spill overs occur.

1. Cool down oven.
2. Remove oven racks.
3. Lift rack guides on either side of oven off of holders. Racks and guides may be run through dishwasher while oven cavity is being cleaned.
4. Clean with soap and water using a non-metallic scouring pad, if necessary. If dirt and grease have accumulated, a mild ammonia solution or commercial oven cleaner such as Easy-Off or Dow may be used.

5. To reinstall, reverse procedure. Place the bottom of the rack guide against the cavity wall. Keeping the top pulled away from the wall lift up. Push the top of the guide against the wall and push down locking it into place.

Fan Area Maintenance

If aluminum foil is routinely used to wrap food or cooking vessels during oven operation, the following preventive maintenance must be performed:

1. Turn power switch to "Off" position.
2. Remove oven racks and rack guides.
3. Remove air baffle and clean any stains or deposits.
4. Check blower wheel and air baffle for particles of aluminum foil or food deposits. Clean fins of blower wheel. (Caution: edges of blower wheel fins may be sharp).
5. Reinstall the air baffle, rack guides and oven racks.

This simple practice, if performed on a regular basis will keep your Sunfire oven operating at peak performance.

Motor Care

The motor on your convection oven is maintenance free since it is constructed with self-lubricating sealed ball bearings. It is designed to provide durable service when treated with ordinary care. We have a few suggestions to follow on the care of your motor. When the motor is operating, it cools itself internally by air entering at the rear of the motor case, provided proper clearance has been allowed.

Since the blower wheel is in the oven cavity it is at the same temperature as the oven. If the motor is stopped while the oven is hot, the heat from the blower wheel is conducted down the shaft and into the armature of the motor. This action could shorten the life of the motor.

We recommend, at the end of the bake or roasting period, when the oven will be idle for any period of time, or before shutting down completely, that the doors be left open slightly and the oven switched to cool down mode. The fan will continue to run, cooling the oven.

At the end of the day, push the rocker switch to COOL DOWN position. Once cool set the rocker switch to OFF. This feature protects the oven motor from pre-mature failure.

NOTE: Optional cool-down will be achieved with the door open slightly.



GARLAND
1177 KAMATO ROAD, MISSISSAUGA, ONTARIO, CANADA. L4W 1X4

888-442-7526
WWW.GARLAND-GROUP.COM

Every new piece of Manitowoc Foodservice equipment comes with KitchenCare™ and you choose the level of service that meets your operational needs from one restaurant to multiple locations.

StarCare – Warranty & lifetime service, certified OEM parts, global parts inventory, performance audited

ExtraCare — CareCode, 24/7 Support, online/mobile product information

LifeCare – Install & equipment orientation, planned maintenance, KitchenConnect™, MenuConnect

Talk with KitchenCare™ • 1-844-724-CARE • www.mtwkitchencare.com



To learn how Manitowoc Foodservice and its leading brands can equip you, visit our global web site at www.manitowocfoodservice.com, then discover the regional or local resources available to you.






Every new piece of Manitowoc Foodservice equipment comes with KitchenCare™ and you choose the level of service that meets your operational needs from one restaurant to multiple locations.

- StarCare** – Warranty & lifetime service, certified OEM parts, global parts inventory, performance audited
- ExtraCare** — CareCode, 24/7 Support, online/mobile product information
- LifeCare** – Install & equipment orientation, planned maintenance, KitchenConnect™, MenuConnect

Talk with KitchenCare™ • 1-844-724-CARE • www.mtwkitchencares.com

To learn how Manitowoc Foodservice and its leading brands can equip you, visit our global web site at www.manitowocfoodservice.com, then discover the regional or local resources available to you.



Remarque : Débranchez le cordon d'alimentation électrique avant de le nettoyer ou l'entretenir.

Période de rodage

Quand le four est neuf, faites le fonctionner pendant une heure à 375 °F (191 °C) avant de commencer à l'utiliser normalement pour la cuisson. Après refroidissement, essuyez l'intérieur, y compris les grilles, avec un chiffon propre humide.

Nettoyage extérieur

Etablissez un horaire régulier. Tout déversement doit être essuyé immédiatement.

1 Laissez toujours le four refroidir suffisamment avant toute tentative de nettoyage.

2 Essuyez la surface exposée, lavable, lorsqu'elle est tiède, avec un détergent doux et de l'eau chaude. Les taches de résidus tenaces peuvent être enlevées avec un tampon à récureur non métallique léger. Sêchez soigneusement avec un chiffon propre.

3 Les taches tenaces peuvent être enlevées à l'aide d'un tampon abrasif non métallique, en frottant dans le sens du grain du métal. Au besoin, pour des dépôts particulièrement importants, vous pouvez mélanger une fine pâte faite d'eau et de poudre récureur et l'appliquer avec une éponge. Veillez à appliquer une légère pression et n'oubliez pas de frotter uniquement dans le sens du grain du métal.

4 La surface de panneau de commande se nettoie facilement avec un chiffon doux, de l'eau chaude et du savon. N'utilisez pas d'abrasifs durs, de matériaux de type solvant ou de tampons à récureur métalliques, car ces derniers risquent d'érafler ou de ternir la surface.

5 Ne pulvérisez jamais les zones perforées ou le panneau de commandes avec de la vapeur ou de l'eau, car cela ferait entrer de l'humidité dans la cavité de commandes, ce qui pourrait endommager les composants électriques.

Nettoyage intérieur

Etablissez un horaire régulier de nettoyage ou essuyez le jour même où des déversements se sont produits.

1 Laissez refroidir le four.

2 Retirez les grilles du four.

3 Soulevez les guides de grille de chaque côté du four hors des supports. Vous pouvez passer les grilles et les guides au lave-vaisselle pendant que vous nettoyez la cavité du four.

4 Nettoyez avec du savon et de l'eau à l'aide d'un tampon non métallique, si nécessaire. Si la saleté et la graisse se sont accumulées, une solution légèrement ammoniacale ou un nettoyeur pour four du commerce tel que Easy-Off ou Dow peuvent-être utilisés.

5 Pour réinstaller, inversez la procédure. Placez le fond du guide de grille contre la paroi de la cavité. Gardez le haut

à distance de la partie relavable de la paroi. Poussez le haut du guide contre la paroi et appuyez pour le bloquer en place.

Entretien de la zone du ventilateur

Si une feuille d'aluminium est couramment utilisée pour envelopper des aliments ou des récipients de cuisson lors de l'utilisation du four, il convient d'effectuer l'entretien préventif suivant :

1 Mettez le bouton d'alimentation en position « Off ».

2 Retirez les grilles de four et les guides de grille.

3 Retirez le déflecteur d'air et nettoyez les taches ou les dépôts.

4 Recherchez la présence de particules de papier d'aluminium ou de dépôts de nourriture sur la roue de ventilateur et le déflecteur d'air. Nettoyez les ailettes de la roue de ventilateur (Attention : les bords des ailettes de la roue de ventilateur peuvent être coupants).

5 Réinstallez le déflecteur d'air, les guides de grille et les grilles de four.

Cet entretien simple, s'il est effectué sur une base régulière, permettra à votre four Sunfire de conserver des performances optimales.

Soins au moteur

Le moteur sur votre four à convection ne demande pas d'entretien, puisqu'il est construit avec des roulements à billes étanches autolubrifiants. Il est conçu pour fournir un service durable lorsqu'on en prend soin de manière ordinaire. Voici quelques suggestions à suivre pour prendre soin de votre moteur. Lorsque le moteur est en marche, il se refroidit lui-même en interne par l'air entrant à l'arrière du carter de moteur, à condition qu'un dégagement adéquat ait été autorisé.

Étant donné que la roue du ventilateur se trouve dans la cavité du four, elle est à la même température que le four. Si le moteur est arrêté pendant que le four est chaud, la chaleur provenant de la roue du ventilateur se propage le long de l'arbre jusque dans l'armature du moteur. Cela pourrait raccourcir la durée de vie du moteur.

Nous recommandons, à la fin de la période de cuisson ou de grillade, lorsque le four sera inactif pour une certaine période de temps, ou avant de fermer complètement, que les portes restent légèrement ouvertes et que le four soit mis en mode refroidissement. Le ventilateur continue de fonctionner, refroidissant le four.

À la fin de la journée, mettez l'interrupteur à bascule sur la position COOL DOWN (refroidissement). Une fois refroidi, mettez l'interrupteur à bascule sur OFF. Cette fonction protège le moteur du four d'une défaillance prématurée.

REMARQUE : Un refroidissement optimal sera atteint avec la porte légèrement ouverte.

Les temps et les températures de cuisson suivants sont fournis comme point de départ. L'altitude, les conditions atmosphériques, les recettes, les plats pour cuisson et le fait que votre four dispose ou non d'une option moteur de ventilateur à 2 vitesses, peuvent affecter vos résultats réels.

PRODUIT	TEMPÉRATURE (°F)	TEMPS
Gâteaux		
Galettes blanches - 5 lb	300°	20 min
Galettes blanches - 6 lb	300°	22 min
Galettes jaunes - 5 lb	325°	15 min
Gâteaux étagés au chocolat - 21 oz	300°	22 min
Gâteau des anges	375°	22 min
Carres au chocolat	350°	15 min
Pains		
Biscuits soda	400°	6 min
Petits pains à la levure	325°	24 min
Pain sucré	325°	24 min
Pain de maïs	350°	22 min
Pain d'épice	300°	24 min
Chaussons aux pommes	350°	25 min
Choux à la crème	300°	25 min
Biscuits au sucre	325°	12 min
Biscuits aux pépites de chocolat	375°	8 min
Tarte aux pommes (fraîche)	375°	25 min
Tarte aux bleuets (fraîche)	350°	30 min
Tarte aux bleuets (surgelée)	300°	50 min
Tarte à la citrouille (surgelée)	300°	50 min
Pizza surgelée	300°	6 min
Macaroni au fromage	350°	15 min
Bâtonnets de poisson	350°	16 min
Poivrons farcis	350°	45 min
Pommes de terre au four	350°	60 min
Vandes		
Morceaux de poulet	350°	45 min
Galettes de steak haché-10 lb surgelées	350°	8 min
Galettes de steak haché - 10 lb fraîches	350°	5 min
Galettes de steak haché - 4 lb surgelées	350°	12 min
Galettes de steak haché - 4 lb fraîches	350°	8 min
Pain de viande - 4 lb	325°	45 min
Bacon	350°	10 min
Rôti de bœuf 20 lb	325°	3 h 15 min
Côte de bœuf 10 lb	300°	1 h 45 min
Côtelettes de porc farcies	350°	45 min
Côtelettes d'agneau	375°	40 min
Rôti de veau désossé	300°	3 h

Problème	Solution
Les gâteaux sont sombres sur les côtés et pas cuits au centre	Baissez la température du four
Les bords des gâteaux sont trop bruns	Réduisez le nombre de plats ou baissez la température du four
Les gâteaux ont une couleur extérieure claire	Augmentez la température
Le gâteau s'affaisse légèrement au centre	Augmentez le temps de cuisson ou augmentez légèrement la température N'ouvrez pas les portes trop souvent ou pour de longues périodes
Le gâteau ondule	Surcharge de plats ou la pâte est trop mince
Les gâteaux sont trop grossiers	Baissez la température du four
Les tartes ont une couleur inégale	Réduisez le nombre de tartes par grille ou n'utilisez pas de plats de cuisson
Les petits gâteaux se fissurent sur le dessus	Baissez la température du four
La viande est dorée mais pas cuite au centre	Baissez la température et faites rôtir plus longtemps.
Les viandes sont bien cuites et dorées	Diminuez le temps. Limitez l'humidité
La viande développe une croûte dure	Réduisez la température, ou placez un récipient d'eau dans le four.
Les petits pains ont une couleur inégale	Réduisez le nombre ou la taille des plats.

- 1 Préchauffer le four de façon approfondie (environ 20 minutes) avant de l'utiliser.
 - 2 En règle générale, la température devrait être réduite de 25 à 50 ° par rapport à celle utilisée dans un four classique/conventionnel. Le temps de cuisson peut aussi être plus court, si bien que nous suggérons de vérifier attentivement le premier lot de chaque produit préparé.
 - 3 Référez-vous au tableau de suggestions de temps de cuisson et de températures. Ces derniers varient en fonction de facteurs tels que la taille de la charge, la température et le mélange de produits (particulièrement l'humidité) et la densité du produit.
 - 4 Notez les temps, la température et la taille des charges que vous avez établis pour divers produits. Une fois que vous avez déterminé ceux-ci, vous pourrez les réutiliser pour les charges suivantes.
 - 5 Dans la pratique, commencez par cuire le produit nécessitant la température de cuisson la plus basse et progressez graduellement vers des températures plus élevées.
 - 6 Si vous trouvez que votre réglage de température précédent est plus élevé par plus de 10 ° que nécessaire pour les charges suivantes, appuyez sur **COOL DOWN** pour atteindre la température désirée avant de définir une nouvelle température cuisson.
 - 7 Lors du chargement du four, travaillez aussi rapidement que possible pour éviter une perte de chaleur.
 - 8 Le four continue à chauffer, même quand la minuterie s'arrête. Le produit doit être retiré du four dès que possible afin d'éviter qu'il ne soit trop cuit.
 - 9 Centrez les plats sur les grilles et chargez chaque plateau uniformément afin de permettre une circulation d'air adéquate dans la cavité.
- 10 Lors de la cuisson, pesez ou mesurez le produit dans chaque plat pour assurer une cuisson uniforme.
 - 11 Lors de la cuisson de cinq plats, utilisez les positions de grille 1, 4, 6, 8 et 10, à partir du haut.
 - 12 Ne surchargez pas le four. Cinq plats sont suggérés comme maximum, par exemple, des gâteaux, des biscuits, des petits pains, etc. Cependant, un maximum (10 plats) peut être utilisé pour les bâtonnets de poisson, les croquettes de poulet et les hamburgers. Le temps de cuisson devra être ajusté.
 - 13 Les plats de muffins doivent être placés dans le four avec l'avant derrière, ou avec le petit côté du plat à l'avant. Il en résulte un produit plus uniformément cuit.
 - 14 Pour réchauffer les plats congelés, préchauffez le four à 100 ° de plus que la température suggérée. Revenez à la température de cuisson, quand le four est chargé. Cela aidera à compenser pour l'introduction d'une grande masse congelée dans la cavité.
 - 15 Utilisez des prolongateurs de plats ou des plats 18" x 26" de deux pouces de profondeur pour produits de type pâte qui pèsent plus de huit livres, par exemple, Pineapple Upside down Cake.
 - 16 Ne placez jamais quoi que ce soit directement sur le fond de la cavité du four. Cela entrave la circulation de l'air et donne des résultats inégaux.
 - 17 Les fours équipés d'options de moteur de ventilateur à 2 vitesses donnent de meilleurs résultats de cuisson, particulièrement pour les pâtisseries délicates.
- REMARQUE : L'humidité s'échappe autour des portes lors de la cuisson de produits à forte teneur en eau, comme le poulet, les pommes de terre, etc.. C'est normal.

Sunfire 200 Commande à semi-conducteurs avec minuterie électromécanique

En mode éteint

Lorsque le four est éteint, il n'y a aucun éclairage ou indicateur.

Démarrage

Placez l'interrupteur à bascule Cook/Off/Cool Down (cuisson/éteint/refroidissement) sur la position « Cook » (cuisson). Le voyant vert s'allume, indiquant que le four est alimenté en mode cuisson.

Le four commence à chauffer à la température définie sur le cadran du thermostat. Le voyant orange s'allume, indiquant que la fonction chauffante est active. Alors que la fonction chauffante s'allume et s'éteint pour maintenir la température définie, ce voyant s'allume et s'éteint également.

La porte doit être fermée pour que le four fonctionne en

mode cuisson. L'ouverture de la porte arrête la fonction chauffage; le moteur et le ventilateur s'arrêtent. Il s'agit d'un dispositif de sécurité.

Sélection de la vitesse du ventilateur (selon l'équipement)

La vitesse du ventilateur peut être soit élevée (1 725 tr/min) soit faible (1 140 tr/min). La vitesse du ventilateur est contrôlée par l'interrupteur à bascule de gauche marqué « high » et « low » (élevée et faible).

Ventilateur à une seule vitesse

Les unités à une seule vitesse fonctionnent uniquement à vitesse élevée (1 725 tr/min) et n'ont pas d'interrupteur de vitesse de ventilateur sur le panneau de commandes.

Éclairage (selon l'équipement)

L'éclairage du four est activé en appuyant sur l'interrupteur du panneau de commandes. Il s'agit d'un interrupteur momentané et les lumières ne restent allumées qu'aussi longtemps que ce bouton a maintenu en position « on ». L'éclairage fonctionne du moment qu'une source d'alimentation électrique est connectée au four. Les unités non équipées de lumières n'ont pas d'interrupteur sur le panneau de commande.

Refroidissement

Le fait de placer l'interrupteur à bascule Cook/Off/Cool Down (cuisson/éteint/refroidissement) sur la position « Cool down » (refroidissement) active le ventilateur et le moteur pour refroidir la cavité du four. La porte doit être légèrement ouverte pour que le ventilateur et le moteur puissent démarrer. La fonction chauffage n'est pas active dans ce mode.

Un refroidissement optimal sera atteint avec la porte légèrement ouverte. Si la porte est trop ouverte, cela arrêtera le ventilateur et le moteur. Il s'agit d'un dispositif de sécurité breveté.

Appuyer le bouton en position Off annule le refroidissement et éteint le four.

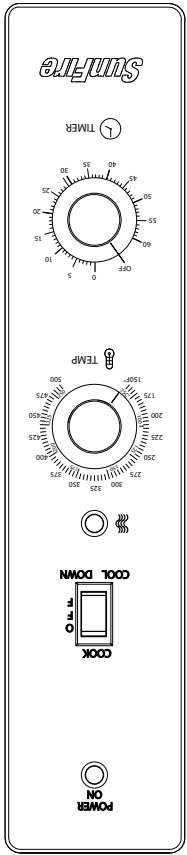
Température

La gamme de température, de 150 à 500 °F (66 à 250 °C), est contrôlée en tournant le cadran de température pour aligner l'indicateur sur la température désirée.

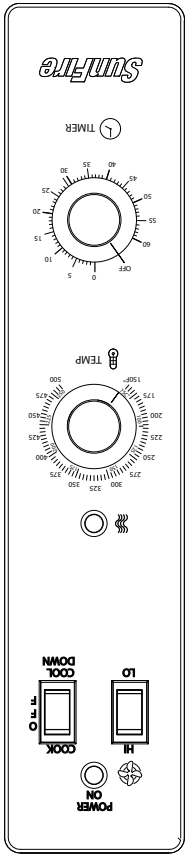
Minuterie

La minuterie est réglée en tournant le cadran dans le sens horaire pour aligner l'indicateur sur le cycle de temps désiré. La minuterie décompte de 2 à 60 minutes. À la fin du cycle de temps, la sonnerie retentit. La sonnerie est désactivée en tournant le cadran dans le sens antihoraire jusqu'à la position « off » comme indiqué sur le panneau de commandes.

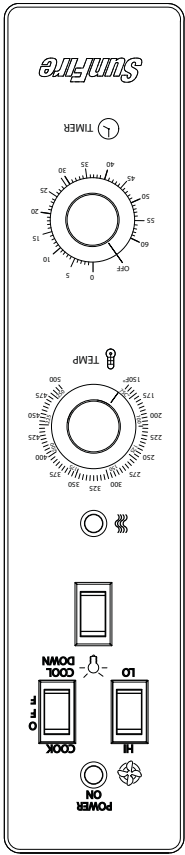
REMARQUE : La minuterie ne contrôle pas le chauffage.



Panneau de commandes du moteur à une seule vitesse de base



Panneau de commandes du moteur à deux vitesses en option



Panneau de commandes du moteur à deux vitesses en option avec éclairage intérieur du four

Raccordements électriques

Avant de procéder au raccordement électrique, vous devez vérifier la plaque signalétique pour vous assurer que les caractéristiques électriques de l'unité et les caractéristiques électriques de la source d'alimentation correspondent.

L'installation du câblage doit être faite conformément aux Normes U.L. 197 Appareil électrique commercial de cuisine, aux codes électriques locaux ou nationaux, à ANSI/NFPA 70-1990.

1 Taille de panneau du commutateur

2 Protection contre les surcharges

3 Type de fil électrique

4 Taille du fil électrique

5 Limites de température des fils électriques

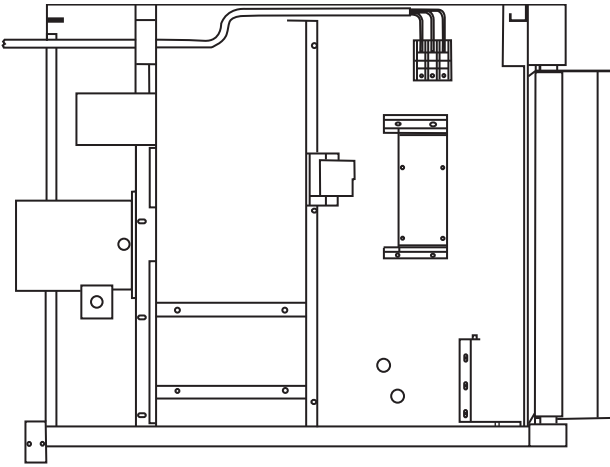
6 Méthode de raccordement (câble, conduite, etc.)

Le branchement entre par l'arrière de l'unité et doit être relié au bloc de jonction (voir le schéma de gauche). Le bloc de jonction est accessible en enlevant le couvercle avant inférieur. Il n'est pas nécessaire de retirer le côté de l'unité.

La tension d'entrée ainsi que de phasage doivent correspondre à la tension et au phasage de l'appareil. Le schéma électrique est situé à l'arrière de chaque four. Faites une inspection visuelle des connexions électriques. Mettez l'appareil sous tension.

Le four est câblé par commande d'usine d'origine. S'il est nécessaire le transformer pour une connexion monophasée ou triphasés, s'il vous plaît se référer à Numéro de Pièce 4533009.

La tension ainsi que le raccordement doivent correspondre.



Dégagement d'entrée

- Emballe : 47 po (1194 mm)
- Déballé : 32 ½ po (826 mm)

Conditions d'espace requises

NOTE : Toujours garder un espace suffisant pour l'entretien et l'utilisation.

- Espace de dégagement minimum d'installation près d'un mur de combustibles et noncombustibles:

Arrière	Côté commande	Côtés	1 po (26 mm)	1 po (26 mm)	1 po (26 mm)	Deux Sections
		Côté	3 po (77 mm)	1 po (26 mm)	2 po (51 mm)	3 po (77 mm)
			Modèles A	Modèles A	Modèles A	
			Une Section	Une Section	Une Section	

- Espace de dégagement minimum d'installation à d'équipements produisant de chaleur élevée:

Arrière	Côté commande	Côtés	1 po (26 mm)	1 po (26 mm)	1 po (26 mm)	Deux Sections
		Côté	3 po (77 mm)	1 po (26 mm)	6 po (153 mm)	3 po (77 mm)
			Modèles A	Modèles A	Modèles A	
			Une Section	Une Section	Une Section	

Avis
Éviter d'installer en plus d'autres équipements (comme les rôtissoires et friteuses) produisant de la chaleur et de l'air chargé avec la graisse.

- Pour le service, espace de dégagement (recommandation)

Côté commande	Modèles A	Modèles A	NOTE : Installer l'appareil sur roues pour faciliter le service de réparation dans les endroits étroits.
	12 po (305 mm)	12 po (305 mm)	
	Une Section	Deux Sections	

Installation des fours équipés de roulettes

- A. Pour un appareil équipé de roulettes, l'installation doit être faite avec un connecteur conforme à la norme pour les connecteurs pour appareils mobiles, ANSI Z21.69. Des moyens appropriés doivent être fournis afin de limiter le mouvement de l'appareil sans dépendre du raccordement du connecteur.
- B. Les roulettes avant de l'unité sont équipées de freins pour limiter le mouvement du four sans dépendre du raccordement du connecteur pour limiter le mouvement de l'appareil.
- C. La retenue peut être attachée à l'unité près de l'entrée électrique. Si la retenue est déconnectée, n'oubliez pas de la rebrancher après que le four a été retourné à sa position d'installation d'origine.

Installation des modèles à étage

- A. Placez l'encastrement dans l'ouverture au bas du pied et faites le entrer dans le pied en le tapotant vers le haut jusqu'à ce qu'il repose sur le collier. Fixez les pieds de six pouces (6 po, 152 mm) à la section inférieure du four. Soulevez l'unité ou couchez-la sur son côté gauche. Placez les pieds avant sur le four de manière à les aligner sur quatre (4) trous de fixation pour boulon. Fixez les pieds au cadre du four en utilisant les quatre (4) boulons 3/8-16 x 3/4 et les rondelles fournis. Recommencez pour l'arrière de l'unité.
- B. Retirez le couvercle avant inférieur de l'étage (situé sous les portes du four). Soulevez l'étage en place et alignez les côtés et l'arrière de l'unité. Fixez l'arrière des unités ensemble, avec le support d'empilage, à l'aide de (6) vis à métaux 1/4-20, de rondelles de blocage et d'écrans (fournis).
- C. Installez les pièces de combustion inter-connectées, en suivant attentivement les instructions contenues dans le kit d'empilage. Portez une attention particulière au type de fours que vous empilez et assurez-vous de suivre les instructions correspondantes.
- D. Vérifiez la mise à niveau de l'unité de quatre (4) façons (à l'aide d'un simple niveau de charpentier sur la grille à l'intérieur du four).
- E. Maintenez une distance avec les matières combustibles.

DIMENSIONS ET SPÉCIFICATIONS, MODÈLE SCO-ES-10S/20S

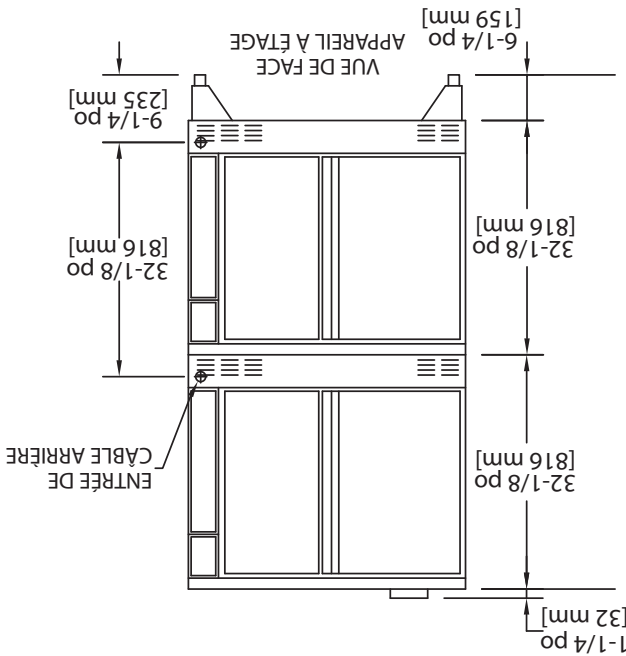
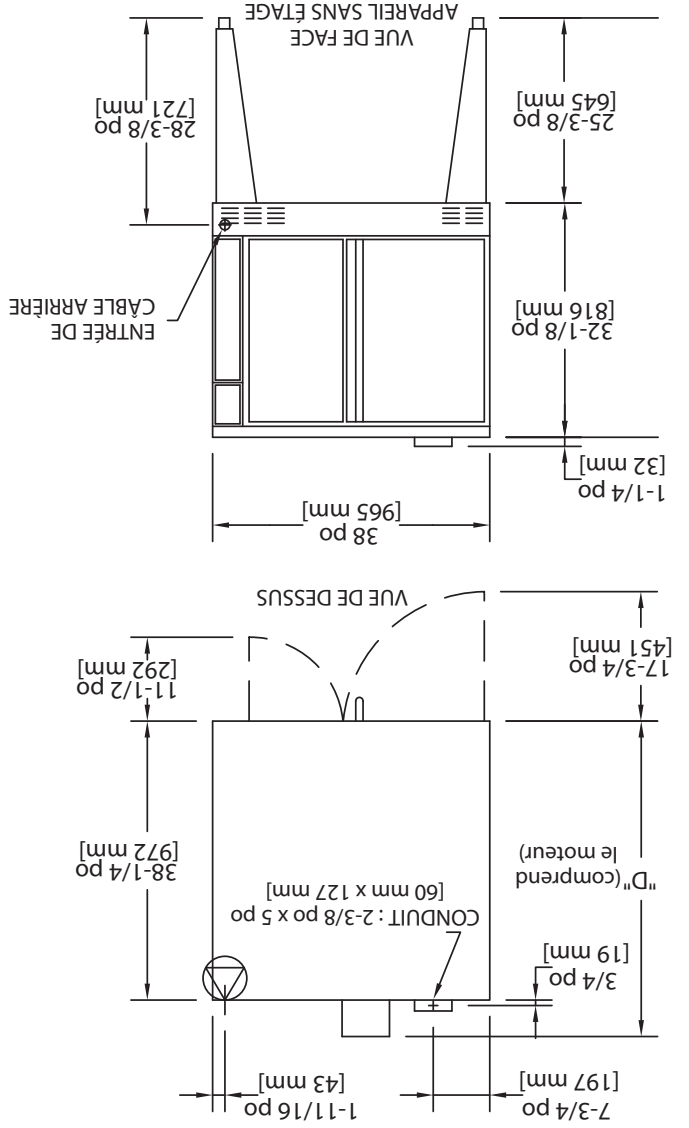
Modèle	Intérieur Dimensions: po (mm)			Extérieur Dimensions: po (mm)			Poids d'expédition	Volume d'expédition
	L	H	P	H	L	P		
SCO-ES-20S	29 (736)	24 (610)	24 (610)	38 (965)	70-1/2 (1791)**	41-1/4 (1048)	1030 / 465	128
SCO-ES-10S	29 (736)	24 (610)	24 (610)	38 (965)	57-1/2 (1461)	41-1/4 (1048)	515 / 230	64

** Hauteur avec les jambes ou à roulettes standard. Hauteur avec roulettes à profil bas (double pont) est 68-1/2" (1740mm).

Modèle	Total kW	Ampères nominaux par ligne (dont moteur de ventilateur 3/4 HP)					
		208V/1Ph	240V/1Ph	X	Y	Z	X
À étage* chaque four	10,4	50	43	30	30	28	26
Sans étage	10,4	50	43	30	30	28	26
							26
							Z
							Y
							X
							240V/3Ph

* Les modèles à étage sont fournis avec des branchements individuels pour l'alimentation électrique.

Les spécifications électriques comprennent les exigences motrices. 3/4, HP, moteur 2 vitesses : 1725/1140 tr/min, (60 Hz); Veuillez préciser les caractéristiques électriques lors de la commande.



De nombreux codes locaux existent et il est de la responsabilité du propriétaire et de l'installateur de se conformer à ces codes. Ces appareils sont destinés à un usage commercial par un personnel qualifié.

Références des modèles

Modèles	prof. standard	une section	deux sections	à une seule vitesse
SCO-ES-105				
SCO-ES-205				

Garantie

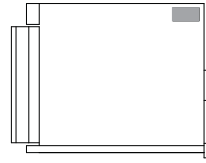
Visitez www.Garland-Group.com pour voir ou télécharger une copie de votre garantie.

Plaque signalétique

Lors des communications avec le fabricant ou votre centre de services local autorisé par le fabricant concernant des problèmes relatifs au service ou pour les pièces de remplacements, assurez-vous d'avoir les informations concernant le numéro du modèle de l'appareil (incluant les lettres et numéros du préfixe et du suffixe) ainsi que le numéro de série correspondant à la garantie.

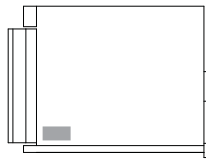
Fours construits entre 01-Avril-2011 and 02-Février-2015

- La plaque signalétique se trouve sur le coin inférieur arrière du panneau latéral gauche.



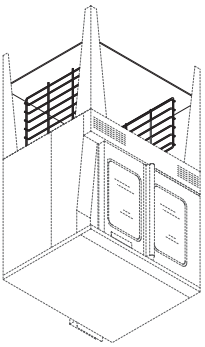
Fours construits après 02-Février-2015

- La plaque signalétique se trouve sur le coin supérieur avant du panneau latéral gauche.



Accessoires

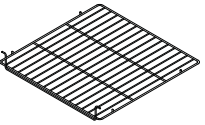
- base ouverte (en acier inoxydable) avec étagère et des guides pour les grilles du four (Modèles A Une Section)



- roulettes, ensemble de quatre



- la grille du four, supplémentaire



- lèche-frite, amovible

CETTE PAGE EST LAISSÉE BLANCHE INTENTIONNELLEMENT.

TABLE DES MATIÈRES

2	INFORMATIONS IMPORTANTES	2
5	GÉNÉRALITÉS	5
5	Références des modèles	5
5	Garantie	5
5	Plaque signalétique	5
5	Accessoires	5
6	DIMENSIONS ET SPÉCIFICATIONS, MODÈLE SCO-ES-10S/20S	6
7	INSTALLATION	7
7	Dégagement d'entrée	7
7	Conditions d'espace requises	7
7	Installation des fours équipés de roulettes	7
7	Installation des modèles à étage	7
8	Raccordements électriques	8
9	INSTRUCTIONS D'UTILISATION	9
9	Sunfire 200 Commande à semi-conducteurs avec minuterie électromécanique	9
9	En mode éteint	9
9	Démarrage	9
9	Sélection de la vitesse du ventilateur (selon l'équipement)	9
9	Ventilateur à une seule vitesse	9
9	Eclairage (selon l'équipement)	9
9	Refroidissement	9
9	Température	9
9	Minuterie	9
10	RECOMMANDATIONS DE PERFORMANCE	10
11	PROBLÈMES ET SOLUTIONS	11
12	GUIDE DE CUISSON	12
13	NETTOYAGE ET ENTRETIEN	13
13	Période de rodage	13
13	Nettoyage extérieur	13
13	Nettoyage intérieur	13
13	Entretien de la zone du ventilateur	13
13	Soins au moteur	13

AVERTISSEMENT : Ce produit contient des produits chimiques connus dans l'état de Californie pour provoquer le cancer et des malformations congénitales ou autres atteintes à la reproduction. L'installation et l'entretien de ce produit pourraient vous exposer à des particules de fibres de laine de verre et de céramique en suspension dans l'air. L'inhalation de particules de fibres de laine de verre et de céramique en suspension dans l'air est connue dans l'état de Californie, pour provoquer le cancer.

Dégagez la zone d'utilisation de l'appareil de tout produit combustible.

VEUILLEZ LIRE TOUTES LES SECTIONS DE CE MANUEL ET LES CONSERVER POUR RÉFÉRENCE FUTURE.

CE PRODUIT A ÉTÉ CERTIFIÉ COMME ÉQUIPEMENT COMMERCIAL DE CUISINE ET DOIT ÊTRE INSTALLÉ PAR UN PERSONNEL QUALIFIÉ, COMME SPÉCIFIÉ.

L'INSTALLATION ET LE RACCORDEMENT ÉLECTRIQUE DOIVENT SE CONFORMER AUX CODES EN VIGUEUR : AU CANADA - LE CODE CANADIEN DE L'ÉLECTRICITÉ PARTIE 1 OU LES CODES LOCAUX. AUX ÉTATS-UNIS, LE CODE NATIONAL D'ÉLECTRICITÉ AMÉRICAIN (NEC) ANSI / NFPA – ÉDITION COURANTE. ASSUREZ-VOUS QUE L'ALIMENTATION ÉLECTRIQUE EST CONFORME AUX CARACTÉRISTIQUES ÉLECTRIQUES INDICUÉES SUR LA PLAQUE SIGNALÉTIQUE.

POUR VOTRE SÉCURITÉ :
NE PAS STOCKER OU UTILISER D'ESSENCE OU D'AUTRES VAPEURS OU LIQUIDES INFLAMMABLES DANS LE VOISINAGE DE CET APPAREIL OU DE TOUT AUTRE APPAREIL ÉLECTRIQUE

AVERTISSEMENT :
UNE MAUVAISE INSTALLATION, ADAPTATION, ALTÉRATION, RÉPARATION OU UN MAUVAIS ENTRETIEN PEUVENT ENTRAÎNER DES DOMMAGES MATÉRIELS, DES BLESSURES OU LA MORT. LIRE ATTENTIVEMENT LES INSTRUCTIONS CONCERNANT L'INSTALLATION, L'UTILISATION ET L'ENTRETIEN AVANT D'INSTALLER OU DE RÉPARER CE MATÉRIEL

Les utilisateurs sont avertis que l'entretien et les réparations doivent être exécutés par des services d'entretien agréés par Garland à l'aide de pièces de rechange Garland. Garland n'aura aucune obligation relativement à tout produit qui a été mal installé, adapté, utilisé ou qui n'a pas été entreteenu conformément aux codes nationaux ou locaux, ou aux instructions d'installation fournies avec le produit, ou relativement à tout produit dont le numéro de série est abîmé, oblitéré ou supprimé, ou qui a été modifié ou réparé à l'aide de pièces non autorisées ou par des services d'entretien non agréés. Pour une liste des services d'entretien agréés, veuillez consulter le site web de Garland au <http://www.garland-group.com>. Les informations contenues dans les présentes, (y compris les spécifications de conception et de pièces), peuvent être remplacées et sont sujettes à changement sans préavis.

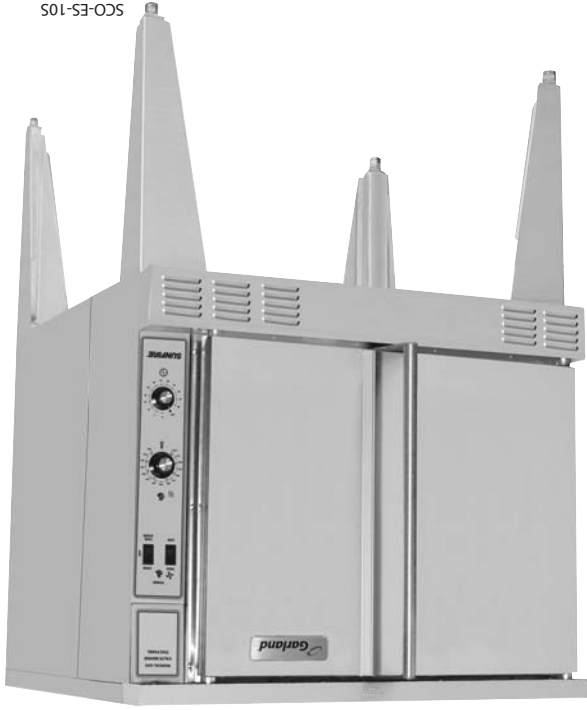
Panne d'électricité

En cas de panne d'électricité, ne pas essayer de faire fonctionner ce four.

Sunfire Four Électrique À Convection

Manuel d'Installation et d'utilisation

Ce manuel est mis à jour au fur et à mesure que de nouvelles informations sont disponibles et que de nouveaux modèles sont commercialisés. Pour obtenir la dernière mise à jour du manuel, visitez notre site Web.



SCO-ES-105

modèles

SCO-ES-105
SCO-ES-205

