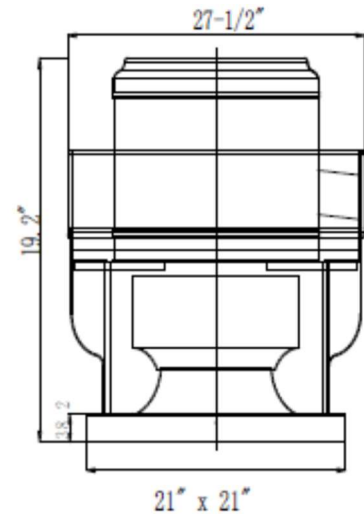




# Direct Drive Centrifugal Exhaust Fan

## Features:

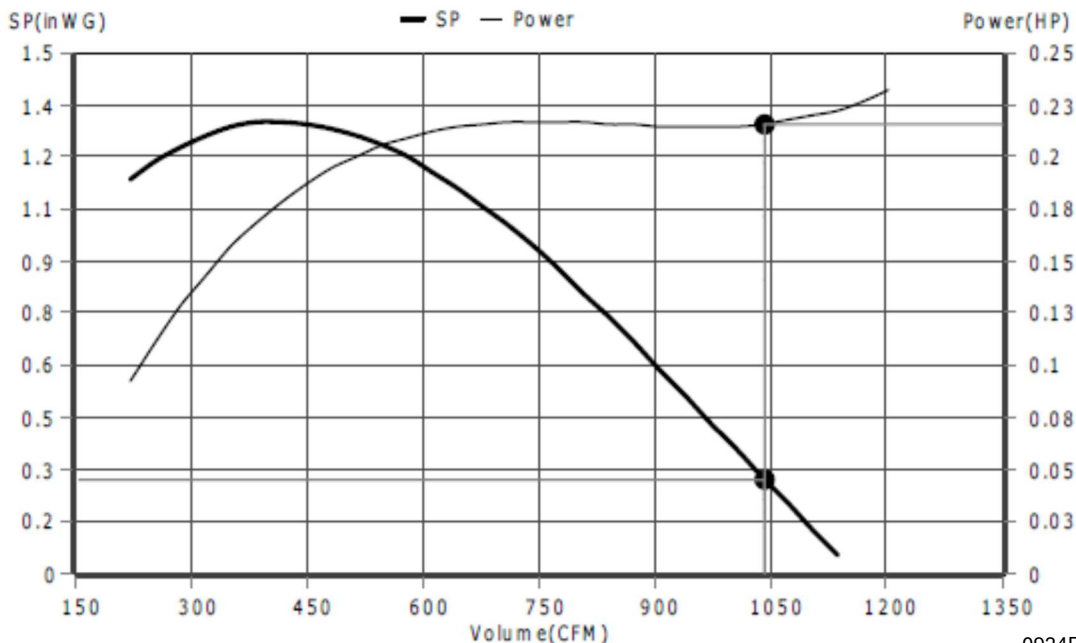
- UL-705 Certification for Restaurant and general ventilation applications
- Heavy Gauge Aluminum Housing
- Centrifugal Backward Inclined Aluminum Impeller
- 120 or 240 voltage single phase
- Speed Controller
- Factory Disconnect
- Thermally Protected Direct Drive ODP Motor
- Integral Grease Spout



Fan Performance						Motor Information			
Model	CFM*	ESP	dB(A)	Fan Speed	Weight (lbs)	Motor HP	BHP	Voltage	Motor AMPS
SH-EXH-RDU05	1040	0.10	60.5	1720	50	0.25	.169	115/1	3
								230/1	1.5

\*Sea level, 70 degree F ambient

Noise										
63	125	250	500	1K	2K	4K	8K	LwA	dBA(1m)	dBA(3m)
90	85	83	79	75	73	71	69	82	70	60.5



0924R1 Data Subject to Change