



**T&S BRASS AND BRONZE WORKS, INC.**  
 2 Saddleback Cove / P.O. Box 1088  
 Travelers Rest, SC 29690

Model No.  
**AG-5 Series**

Item No.

Travelers Rest, SC: 800-476-4103 • Simi Valley, CA: 800-423-0150 • Fax: 864-834-3518 • www.tsbrass.com

This Space for Architect/Engineer Approval

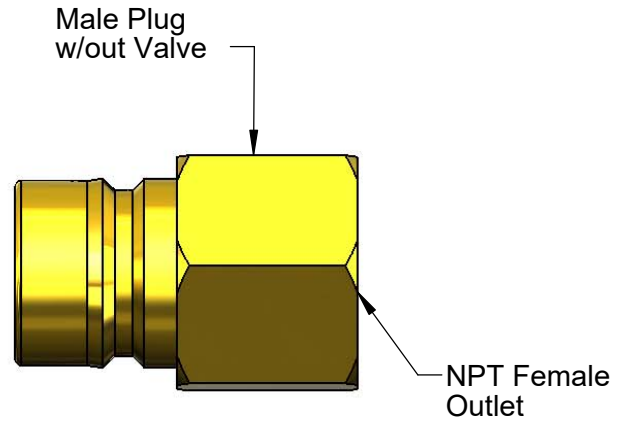
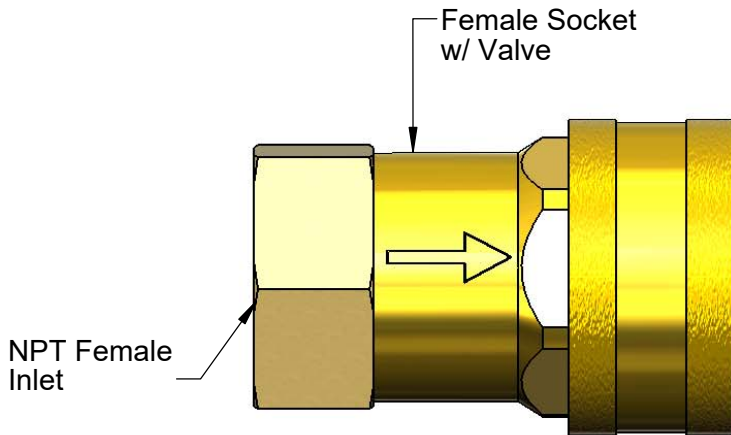
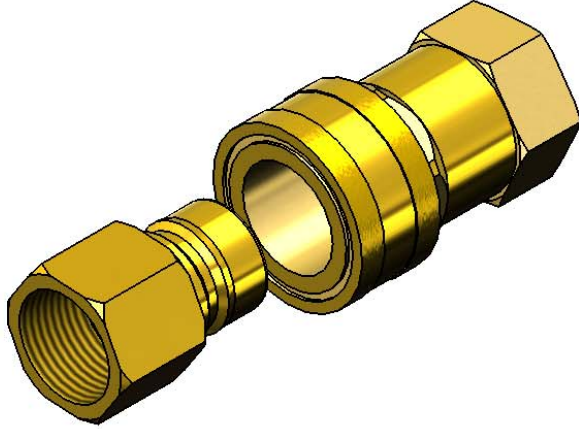
Job Name \_\_\_\_\_ Date \_\_\_\_\_

Model Specified \_\_\_\_\_ Quantity \_\_\_\_\_

Customer/Wholesaler \_\_\_\_\_

Contractor \_\_\_\_\_

Architect/Engineer \_\_\_\_\_



1/2" NPT	3/4" NPT	1" NPT	1 1/4" NPT
AG-5C	AG-5D	AG-5E	AG-5F

**AG-5 Series Product Configurator: AG - 5**

Ex: AG - 5

2-Piece Quick Disconnect, 3/4" NPT

Product Specifications:  
 Safe-T-Link Gas Appliance Connector:  
 2-Piece Quick Disconnect, 1/2" NPT - 1 1/4" NPT

Product Compliance:  
 ANSI Z21.41 / CSA 6.9  
 NSF 2  
 NFPA 54