



T&S BRASS AND BRONZE WORKS, INC.

2 Saddleback Cove / P.O. Box 1088
Travelers Rest, SC 29690

Model No.

B-0154-CR-C

Item No.

Travelers Rest, SC: 800-476-4103 • Simi Valley, CA: 800-423-0150 • Fax: 864-834-3518 • www.tsbrass.com

This Space for Architect/Engineer Approval

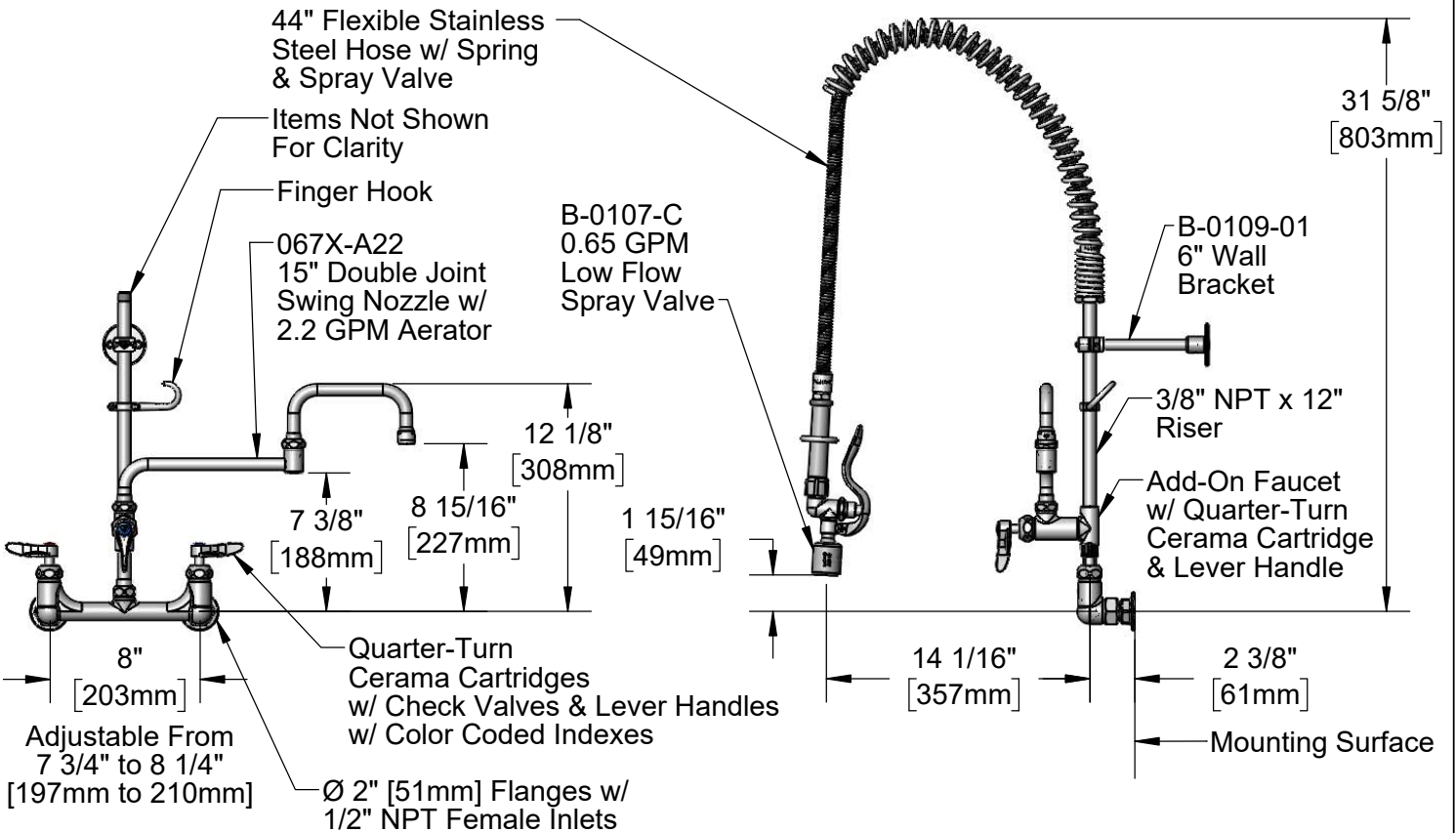
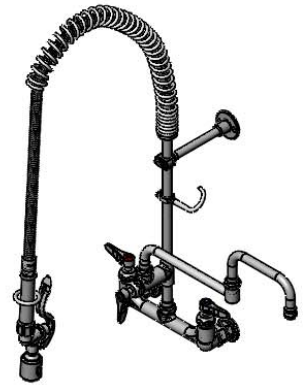
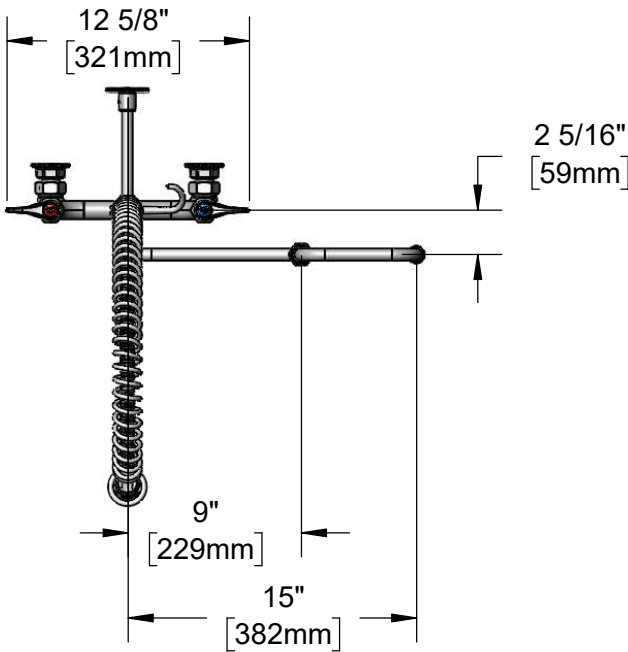
Job Name _____ Date _____

Model Specified _____ Quantity _____

Customer/Wholesaler _____

Contractor _____

Architect/Engineer _____



Product Specifications:

Pre-Rinse Unit: 8" Wall Mount Mixing Faucet, Quarter-Turn Cerama Cartridges w/ Check Valves, EasyInstall Add-On Faucet, 15" Double Joint Swing Nozzle w/ 2.2 GPM Aerator, 44" Flexible Stainless Steel Hose w/ 0.65 GPM Low Flow Spray Valve, 6" Wall Bracket & 1/2" NPT Female Inlets

Product Compliance:

ASME A112.18.1 / CSA B125.1
NSF 61 - Section 9
NSF 372 (Low Lead Content)
2019 DOE PRSV - Class I



T&S BRASS AND BRONZE WORKS, INC.

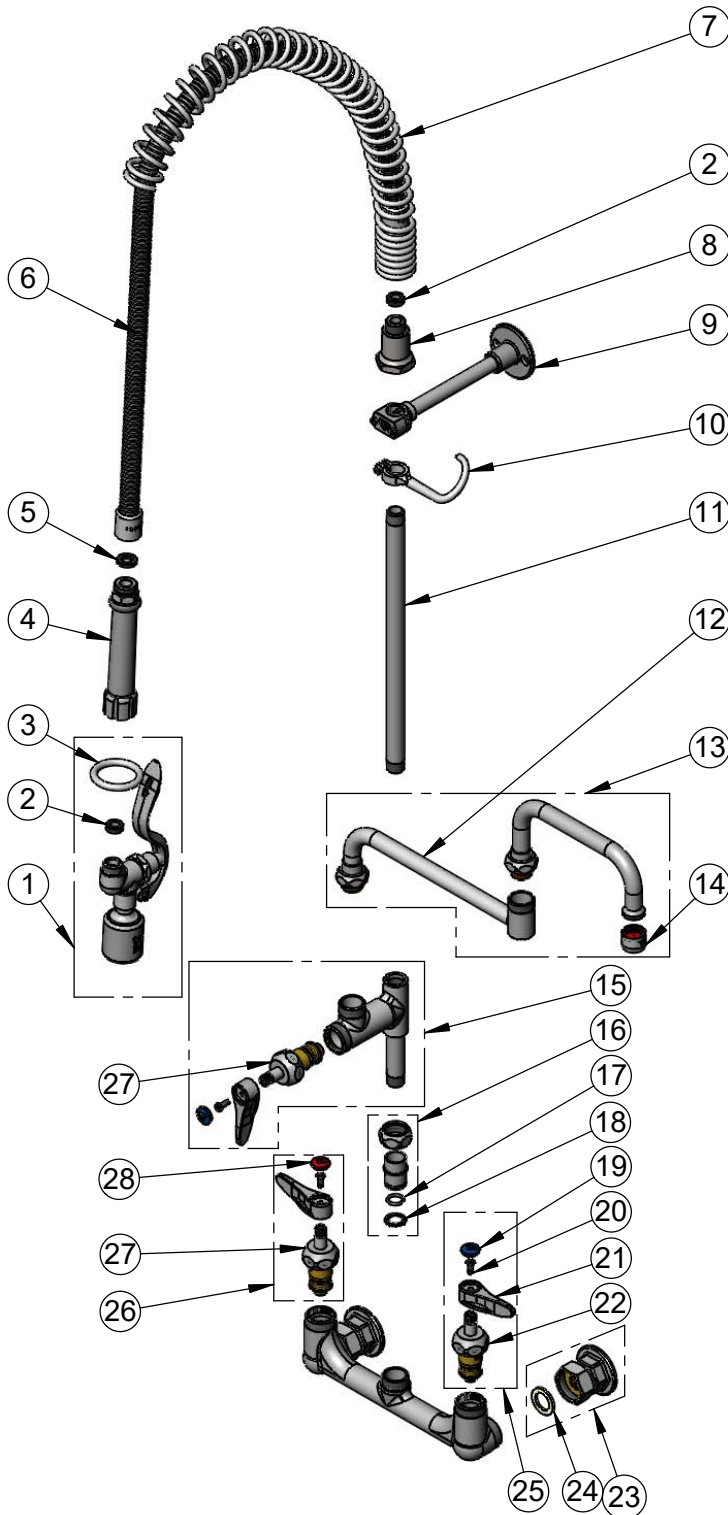
2 Saddleback Cove / P.O. Box 1088
Travelers Rest, SC 29690

Model No.

B-0154-CR-C

Item No.

Travelers Rest, SC: 800-476-4103 • Simi Valley, CA: 800-423-0150 • Fax: 864-834-3518 • www.tsbrass.com



ITEM NO.	SALES NO.	DESCRIPTION
1	B-0107-C	0.65 GPM Low Flow Spray Valve
2	010476-45	#27 Washer
3	000907-45	Spray Valve Hold Down Ring
4	002987-40	Grip Handle
5	001014-45	Washer, B-0100 Hose Barrel
6	B-0044-H2A	44" Flexible Stainless Steel Hose, Less Handle
7	000888-45	EasyInstall Overhead Spring
8	000821-40	Spring Body
9	B-0109-01	6" Wall Bracket
10	004R	Finger Hook
11	145X	3/8" NPT X 12" Riser
12	152X	9" Back Section
13	067X-A22	15" Double Joint Swing Nozzle w/ 2.2 GPM Aerator
14	B-0199-01	2.2 GPM Aerator, 55/64-27 UN Female
15	B-0155-CR-LN	EasyInstall Add-On Faucet - Less Nozzle
16	EZ-K	EasyInstall Kit: Nut, Bushing O-Ring & Lock Washer
17	001065-45	O-ring
18	014200-45	Star Washer, Anti-Rotation
19	018506-19NS	Blue Button Index, Press-in
20	000925-45	Lab Handle Screw
21	001638-45NS	Lever Handle (New Style)
22	012395-25NS	Quarter-Turn Cerama Cartridge w/ Check Valve, LTC
23	00AA	1/2" NPT Female Eccentric Flange
24	001019-45	Coupling Nut Washer
25	012447-25NS	Quarter-Turn Cerama Cartridge w/ Check Valve, Handle, Blue Index & Screw, LTC
26	012446-25NS	Quarter-Turn Cerama Cartridge w/ Check Valve, Handle, Red Index & Screw, RTC
27	012394-25NS	Quarter-Turn Cerama Cartridge w/ Check Valve, RTC
28	001193-19NS	Red Button Index, Press-in

Product Specifications:

Pre-Rinse Unit: 8" Wall Mount Mixing Faucet, Quarter-Turn Cerama Cartridges w/ Check Valves, EasyInstall Add-On Faucet, 15" Double Joint Swing Nozzle w/ 2.2 GPM Aerator, 44" Flexible Stainless Steel Hose w/ 0.65 GPM Low Flow Spray Valve, 6" Wall Bracket & 1/2" NPT Female Inlets

Product Compliance:

ASME A112.18.1 / CSA B125.1
NSF 61 - Section 9
NSF 372 (Low Lead Content)
2019 DOE PRSV - Class I