



4184 E. Conant st., Long Beach, CA 90808
 Tel. 310-900-1000 Fax. 310-900-1077
www.turboairinc.com

Project :

Model # :

Item # :

Qty :

Available W/H :

Approval :

36" Wide Heavy Duty Restaurant Range

Model : TAR-6



≡ FEATURES / BENEFITS ≡

- HEAVY GAUGE WELDED FRAME CONSTRUCTION.
- STAINLESS STEEL FRONT, SIDES, BACK RISER LIFT-OFF HIGH SHELF.
- INDIVIDUAL PILOT FOR EACH LIFT OFF TOP OPEN BURNER AT 32,000 BTU/HR.
- 6" STAINLESS STEEL ADJUSTABLE LEGS (CASTORS AVAILABLE AS AN OPTION).
- 12" X 12" SECTIONED HEAVY DUTY CAST IRON GRATES.
- FULL SIZE PULL OUT CRUMB TRAY.
- WRAP AROUND FULL STAINLESS STEEL OVEN INTERIOR / 26.3" DEPTH STANDARD.
- FULLY ADJUSTABLE OVEN THERMOSTAT PROVIDING TEMPERATURES FROM 250-550 DEGREES.
- PULL OFF STAINLESS STEEL DOOR FOR EASY CLEANING.
- THERMOSTATICALLY CONTROLLED GRIDDLE (COMBO MODEL).
- 1 STAINLESS STEEL OVEN RACK (ADDITIONAL RACKS OPTIONAL).
- CSA CERTIFIED FOR SAFETY & SANITATION FOR U.S. AND CANADA.
- A FULL ONE YEAR LIMITED PARTS AND LABOR WARRANTY.



Model	Oven	Weight (lbs.)	Width (inches)	Total BTUs	Configuration
TAR-6	1	527	36	227K	6 Open Burners (NAT)
TAR-6-LP	1	527	36	224K	6 Open Burners (LPG)

Heavy Duty Restaurant Range

Model : TAR-6

DATA	TAR-6
Gas Type	NAT
Gas Connection	3/4"
Regulator	3/4"
Gas Pressure	5 W.C"
DIMENSIONAL DATA	
Ext. Length Overall (inch)	36 (914mm)
Ext. Depth Overall (inch)	31 7/8 (810mm) + manifold
Ext. Height Overall (inch)	56 1/2 (1436mm)
OVEN DIMENSION (Interior)	
Number of Oven	1
Length (inch)	26 3/8 (670mm)
Depth (inch)	26 1/4 (669mm)
Height (inch)	13 5/8 (345mm)

DATA	TAR-6-LP
Gas Type	LPG
Gas Connection	3/4"
Regulator	3/4"
Gas Pressure	10 W.C"
DIMENSIONAL DATA	
Ext. Length Overall (inch)	36 (914mm)
Ext. Depth Overall (inch)	31 7/8 (810mm) + manifold
Ext. Height Overall (inch)	56 1/2 (1436mm)
OVEN DIMENSION (Interior)	
Number of Oven	1
Length (inch)	26 3/8 (670mm)
Depth (inch)	26 1/4 (669mm)
Height (inch)	13 5/8 (345mm)

Design and specifications subject to change without notice.
Actual shipping weight may differ due to extra packing materials for product protection.

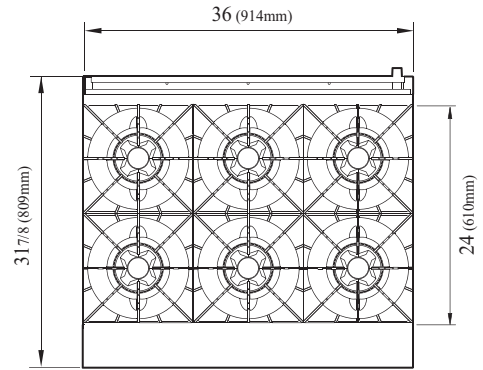
■ WARRANTY : 1 Year Labor and Parts Warranty

■ OPTIONAL ACCESSORIES :

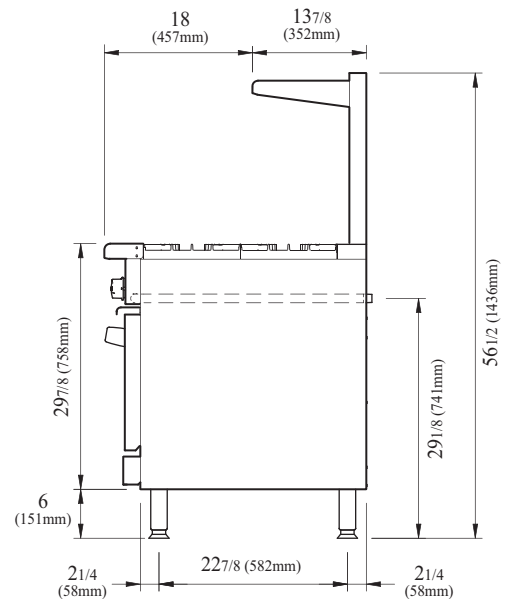
- Casters (Set of 4)
- Stainless steel oven racks

PLAN VIEW

(unit : inch)



TOP VIEW



SIDE VIEW

Ver.201401



- Turbo Air : 800-627-0032 ■ GK : 800-500-3519
- Warranty : 800-381-7770 ■ AC : 888-900-1002

REFRIGERATOR MANUFACTURER
Turbo air

GERMAN KNIFE

RADIANCE

AIR CONDITIONER MANUFACTURER
GREEN WORLD Turbo air