



4184 E. Conant st., Long Beach, CA 90808
 Tel. 310-900-1000 Fax. 310-900-1077
www.turboairinc.com

Project :

Model # :

Item # :

Qty :

Available W/H :

Approval :

Heavy Duty Stock Pot Stoves

Model : TASP-D



TASP-18-D



TASP-18S-D

FEATURES / BENEFITS

- HIGH QUALITY STAINLESS STEEL FRONT AND SIDES
- CAST-IRON 3 RING BURNER WITH 2 CONTROL KNOB
- HIGH PERFORMANCE 79,000 BTU/HR PER BURNER
- REMOVABLE 21" X 18" HEAVY CAST-IRON TOP GRATES
- REMOVABLE FULL WIDTH GREASE PAN
- ERGONOMICALLY DESIGNED HEAT RESISTANT PPS (POLY PHENYLENE SULFIDE) ON-OFF KNOB
- ADJUSTABLE STAINLESS STEEL STANDING PILOT FOR EACH BURNER
- 3/4" REAR GAS CONNECTION AND GAS PRESSURE REGULATOR
- 6" STAINLESS STEEL LEGS INCLUDED
- AVAILABLE IN 24" HIGH AND 18" HIGH



| Model | #of Burners | Total BTUs | Crated Weight (lbs.) | W x D x H (inches) |
|------------|-------------|------------|----------------------|--------------------|
| TASP-18-D | 3-Ring | 158,000 | 230 | 18 x 41 1/2 x 24 |
| TASP-18S-D | 3-Ring | 158,000 | 220 | 18 x 41 1/2 x 18 |

Ver.201401

* Depth does not include 3/4" for rear gas connection and 2" for control knob.

Heavy Duty Stock Pot Stoves

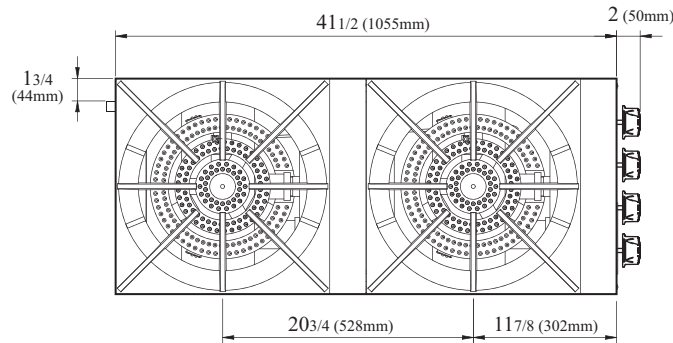
Model : TASP-D

| GAS DATA | TASP-18-D | TASP-18S-D |
|------------------------|---------------------------|--------------------|
| Gas Type | NAT/LP Convertible | NAT/LP Convertible |
| Gas Connection | 3/4" | 3/4" |
| Regulator | 3/4" | 3/4" |
| Gas Pressure | NAT : 5W.C" / LP : 10W.C" | |
| SHIPPING DATA | | |
| Class | 70 | 70 |
| Length (in.) | 18 (457mm) | 18 (457mm) |
| Depth (in.)* | 41 1/2 (1055mm) | 41 1/2 (1055mm) |
| Height (in.) | 24 (610mm) | 18 (457mm) |
| Shipping Weight (lbs.) | 230 | 220 |

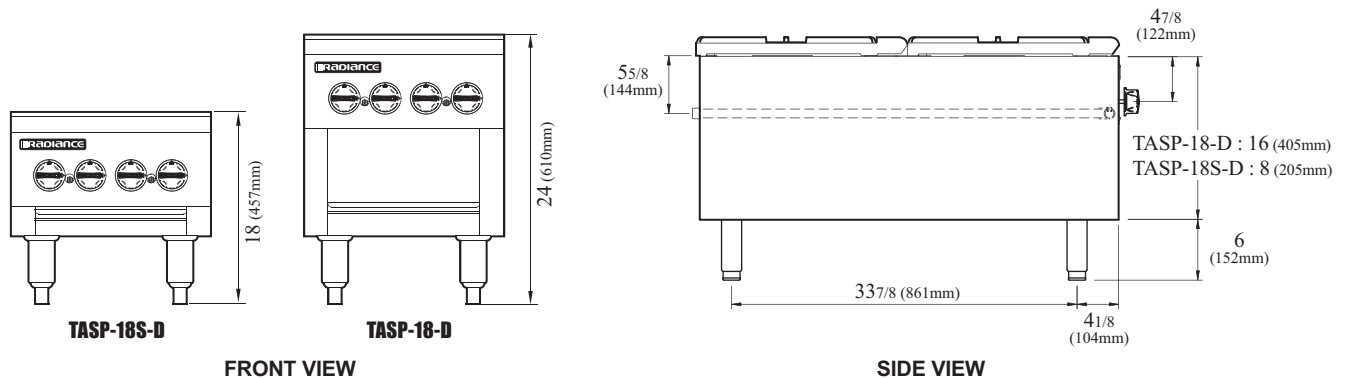
Design and specifications subject to change without notice.
 Actual shipping weight may differ due to extra packing materials for product protection.
 * Depth does not include 3/4" for rear gas connection and 2" for control knob.

■ **WARRANTY : 1 Year Parts and Labor Warranty**

(unit : inch) **PLAN VIEW**



TOP VIEW



Ver.201401



- Turbo Air : 800-627-0032 ■ GK : 800-500-3519
- Warranty : 800-381-7770 ■ AC : 888-900-1002