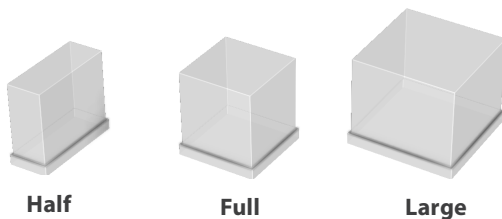




TCIM-522
TIB-422

CUBE SIZES



Half

Full

Large

Ice Cube Dimensions	
Half	7/16" x 1-1/8" x 7/8" (11.1 x 28.6 x 22.2 mm)
Full	7/8" x 7/8" x 7/8" (22.2 x 22.2 x 22.2 mm)
Large	1-1/8" x 1-1/8" x 7/8" (28.6 x 28.6 x 22.2 mm)

FEATURES & BENEFITS

Produces up to 550 lbs. of ice per 24 hours

- Environmentally friendly R290 refrigeration system for optimum ice production and energy efficiency
- 30% below DOE 2018
- 20% below Energy Star

Superior Sanitation

- TrueZone protection to purify surrounding air in bin and food zone
- TrueGuard Antimicrobial embedded in every plastic piece including bin liners
- Food zone pieces easily removed without tools
- Simple 1-touch cleaning
- Easily removable air filter with RCU technology

Advanced Control with Touch Screen

- 4.3" front display – largest in the industry
- Simple touch operation
- Advanced diagnostics which allows for predictive and proactive measures
- Built-in alarms & push notifications
- Programmable ice production
- Time of flight ice sensor eliminates the need for bin thermostats

Remote Monitoring Capabilities

- Remote monitoring with easy back end data access
- Location based performance enhancement
- Remote shut off

Commercial Ice Maker Warranty	
Ice Maker	3 YEARS parts and labor
Compressor	5 YEARS parts
Evaporator	5 YEARS parts and labor

ADDITIONAL FEATURES

Evaporator Plate:

- High performance copper
- No harvest assist necessary
- TrueNcap^{SL} L8 Sanitary evaporator fully insulated & sealed for efficiency and cleanliness

Construction:

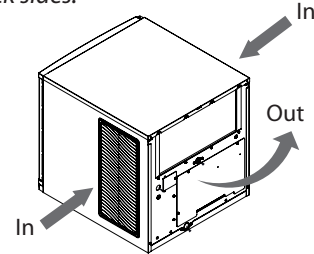
- TrueTech aluminum front and sides, all plastic interior and single piece case for both 22" & 30" units

Refrigeration System:

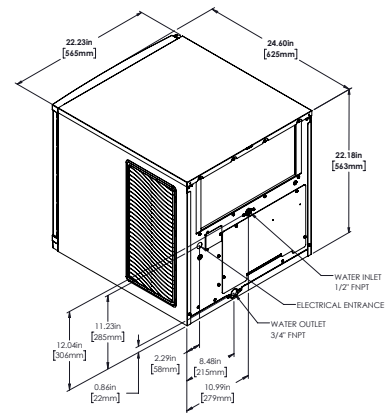
- Environmentally friendly R290 Refrigerant
- High & low pressure transducers for gauge-free servicing
- Micro channel condenser for superior efficiency
- Wide operating range: 35°F to 110°F ambient
- Ultra quiet fan operation

AIR COOLED

Please note: air-cooled units require 6" (15.24mm) clearance for air intake and exhaust on the left, right, and back sides.



PLAN VIEW



SPECIFICATIONS

Model	Condenser Type	Refrigerant	Crated Weight (lbs)	@ 70°F air/50°F water	@ 90°F air/70°F water			Peak Heat of Rejection	Min Circuit Ampacity
				Ice Production per 24hr	Ice Production per 24hr	Potable Water Consumption	Electrical Consumption		
TCIM-522	Air	R290	164	550 lbs (249 kg)	500 lbs (227 kg)	14.0 gal/100lb	3.90 kWh/100lb	7600 BTU/hr	15

OPTIONS & ACCESSORIES

OPERATING REQUIREMENTS

Water Filters			Minimum	Maximum
Model	Filter System	Replacement Cartridge	Ambient Air Temp:	35°F (1.7°C) / 110°F (43.3°C)
TCIM-522	P/N 855953	P/N 855884	Water Temp:	35°F (1.7°C) / 100°F (37.7°C)
CONNECTIONS			Water Pressure:	20 psi (138 kPa) / 100 psi (689 kPa)

DIMENSIONS

Potable water in:	1/2" Female NPT	W x D x H (in.)	22 x 24 x 22
Water out:	3/4" Female NPT	W x D x H (mm)	559 x 610 x 559
Hole for electrical connections:	7/8"	UL EPH for Sanitation	
Electrical connection junction box:	104-127 VAC/60Hz/1		

