



TRUE FOOD SERVICE EQUIPMENT, INC.

St. Charles Industrial Center • P.O. Box 970 • O'Fallon, Missouri 63366
(636)240-2400 • FAX (636)272-2408 • (800)325-6152 • www.truemfg.com

Project Name: _____

Location: _____

Item #: _____ Qty: _____

Model #: _____

AIA #

SIS #

Direct Draw Beer Dispensers



TDD-2

Direct Draw Beer Dispensers

- TDD-1**, **TDD-2**,
- TDD-3**, **TDD-4**

True's oversized and balanced refrigeration system with extra large evaporator performs in the hottest, most humid climates. Excellent for all tropical beach bars.

SPECIFICATIONS / FEATURES

CABINET CONSTRUCTION:

- Durable, non-peel or chip black laminated vinyl exterior. All Stainless steel top.
- Interior - 300 series stainless steel floor with 1/2" lip and heavy galvanized steel walls. Construction of liner in accordance with NSF standards.
- Incandescent interior lighting (excluding TDD-1).
- 3" diameter stainless steel beer columns.
- Each cabinet designed to accommodate all types of beer kegs.

DOORS:

- Positive seal doors. Door gaskets of one piece construction, and removable for ease in cleaning.
- Doors include 12" long horizontal recessed handle with sheetmetal interlock. Handles foamed-in-place to insure permanent attachment.
- Door locks standard.

INSULATION:

- Entire cabinet structure and doors insulated using foamed-in-place CFC free polyurethane foam.

REFRIGERATION SYSTEM:

- Refrigeration system factory balanced using CFC free 134A refrigerant.
- Condensing unit positioned to allow easy access for maintenance.
- Factory pre-engineered capillary tube system with oversized condenser and evaporator to reduce product pull down time and to consistently maintain 33° to 38°F interior cabinet temperature. (non-adjustable capillary tube system superior to problematic expansion valve)
- Evaporator - epoxy coated at the time of manufacture to eliminate the potential of corrosion.
- Air vents on side to maximize flow of fresh air through condenser.

ELECTRICAL CHARACTERISTICS:

- Unit completely pre-wired at factory, and ready for final connection to a 115/60/1 phase - 15 amp dedicated outlet. A cord and plug set to be included.
- A sole use circuit is required.



115/60/1
NEMA-5-15R

Also available:

- *Stainless Steel Exterior Direct Draw Beer Dispensers*
- *Club Top Direct Draw Beer Dispensers*
- *Stainless Steel Exterior Club Top Direct Draw Beer Dispensers*

Remote cabinets available 14% off list (condensing units supplied by others). Unavailable for TDD-1 models.

Consult factory technical service dept. for BTU information.

Specifications subject to change without notice.

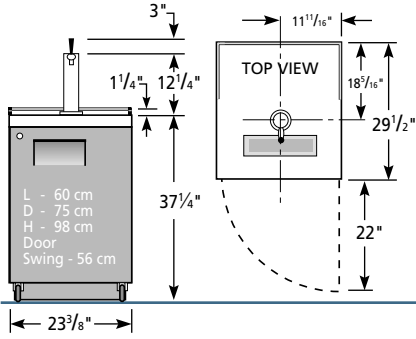
Printed in U.S.A.



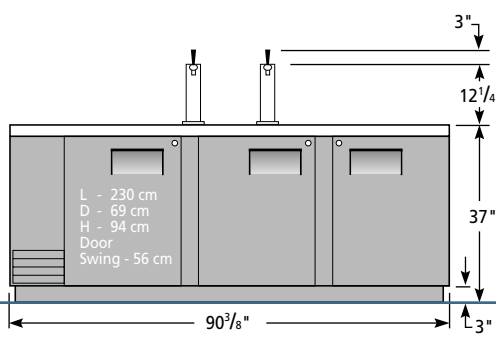
APPROVALS:

2/03

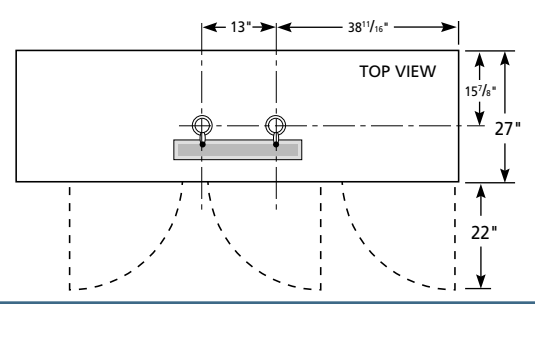
Exceptions:



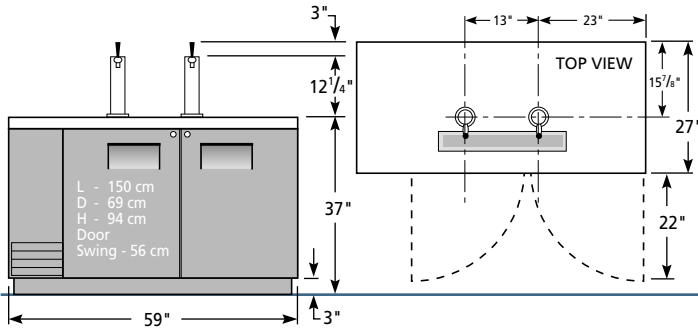
TDD-1



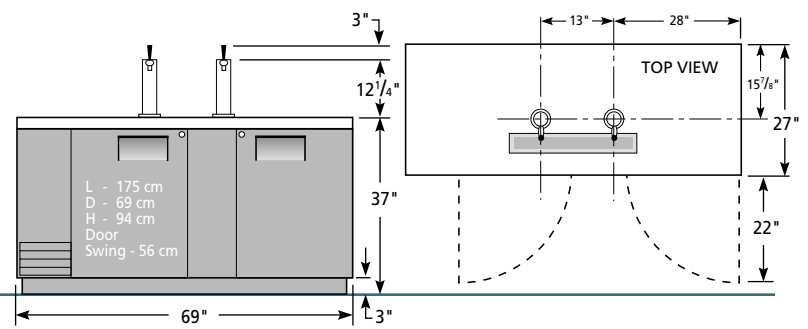
TDD-2



TDD-3



TDD-4



| Rough-In Data | | | | | | | | | | | | |
|---------------|-------|--------------|---------------------|--------|--------|-----|-------|----|------|--------------|--------------------|---------------|
| Model | Doors | Half Barrels | Dimensions (inches) | | | HP | Volts | PH | Amps | NEMA Config. | Cord Length (feet) | Crated Weight |
| | | | L | D | H* | | | | | | | |
| TDD-1 (1) | 1 | 1 | 23 3/8 | 29 1/2 | 38 1/2 | 1/5 | 115 | 1 | 3.8 | 5-15 | 7 | 178 |
| TDD-2 (1,2,3) | 2 | 2 | 59 | 27 | 37 | 1/3 | 115 | 1 | 8.5 | 5-15 | 7 | 298 |
| TDD-3 (1,2,3) | 2 | 3 | 69 | 27 | 37 | 1/3 | 115 | 1 | 8.5 | 5-15 | 7 | 338 |
| TDD-4 (1,2,3) | 3 | 4 | 90 3/8 | 27 | 37 | 1/3 | 115 | 1 | 8.5 | 5-15 | 7 | 441 |

- * Add 15 1/4" to height for draft arm
- (1) Available in Stainless Steel model
- (2) Available in Club Top model
- (3) Available in Stainless Steel Club Top model

Specifications subject to change without notice.

Standard Features

- Oversized environmentally friendly (134A) refrigeration system holds 33°F to 38°F.
- Stainless steel top with aluminum back.
- Durable, black laminated vinyl exterior.
- Interior - 300 series stainless steel floor with 1/2" lip & heavy galvanized steel walls.
- 3" diameter stainless steel beer columns.
- Door locks standard.
- Positive seal doors.
- Recessed door handles.
- Incandescent interior lighting (excluding TDD-1).
- Castors standard on TDD-1.
- Foamed-in-place high density polyurethane insulation (CFC free).
- Air vents on side of cooler.
- Each cabinet designed to accommodate all types of beer kegs.
- Adaptable beer drain line connector.
- Epoxy coated evaporator.
- Slide out compressor can be serviced easily and accessed by a single repairman.

- Self-contained system.
- 1 year parts & labor warranty (USA).
- 5 year compressor warranty.

Optional Accessories

- Available with stainless steel or optional seismic legs.
- Available with optional 2 1/2" or 4" diameter stem castors (requires castor frame).
- Tapping equipment.
- Multiple faucet draft arms.

| | Model | Front | Right | Plan | 3D |
|--|-------|---------|---------|---------|---------|
| | TDD-1 | TFHY04E | TFHY04S | TFHY04P | TFHY043 |
| | TDD-2 | TFHY03E | TFHY03S | TFHY03P | TFHY033 |
| | TDD-3 | TFHY02E | TFHY02S | TFHY02P | TFHY023 |
| | TDD-4 | TFHY01E | TFHY02S | TFHY01P | TFHY013 |

| Clearance Required For Coolers (USA) | | |
|--------------------------------------|---------------|----------------|
| Sides Inches/mm | Top Inches/mm | Rear Inches/mm |
| 1 / 26 | 1 / 26 | 1 / 26 |

