



# STAINLESS STEEL EQUIPMENT FILLER TABLE

## FEATURES:

TOP is furnished with 1 5/8" sanitary rolled rim edge in front. Square edges on sides and 1/1/2" splash of single metal thickness on rear.

Hat channels stud welded to top which reinforces and maintains a level working surface.

Welded Front to Back Leg Assembly.

Rear (Left to Right) Stretcher bolts to side leg assemblies.

## CONSTRUCTION:

All TIG welded. Exposed weld areas polished to match adjacent surfaces.

Entire top mechanically polished to a satin finish.

Top is sound deadened.

Roll formed embossed galvanized hat channels are secured to top by means of structural adhesive and weld studs.

Gussets welded to support hat sections.

## MATERIAL:

**TOP:** 16 gauge stainless steel type "304" series.

**STRETCHERS:** 1 5/8" diameter tubular stainless steel.

**LEGS:** 1 5/8" diameter tubular stainless steel.

Stainless steel gussets.

1" stainless steel bullet feet.

**Item #:** \_\_\_\_\_ **Qty #:** \_\_\_\_\_

**Model #:** \_\_\_\_\_

**Project #:** \_\_\_\_\_

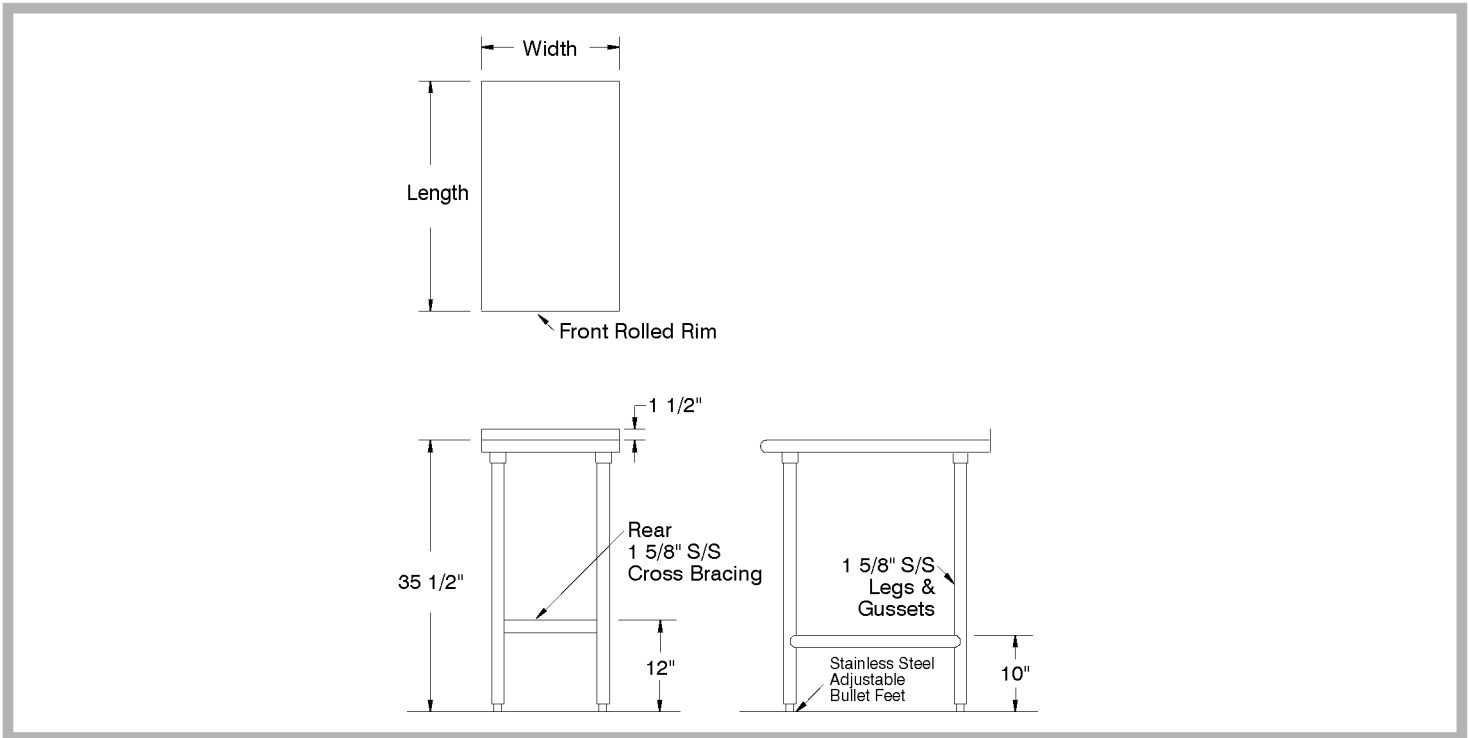


| Model #  | Width | Length | Wt.     |
|----------|-------|--------|---------|
| TFMS-182 | 18"   | 24"    | 27 lbs. |
| TFMS-180 | 18"   | 30"    | 35 lbs. |
| TFMS-183 | 18"   | 36"    | 43 lbs. |
| TFMS-152 | 15"   | 24"    | 25 lbs. |
| TFMS-150 | 15"   | 30"    | 33 lbs. |
| TFMS-153 | 15"   | 36"    | 41 lbs. |
| TFMS-122 | 12"   | 24"    | 22 lbs. |
| TFMS-120 | 12"   | 30"    | 31 lbs. |
| TFMS-123 | 12"   | 36"    | 39 lbs. |

## DETAILS and SPECIFICATIONS

TOL ± .500"

ALL DIMENSIONS ARE TYPICAL



**Customer Service Available To Assist You 1-800-645-3166 8:30 am - 8:00 pm E.S.T.**

Email Orders To: [customer@advancetabco.com](mailto:customer@advancetabco.com). For Smart Fabrication™ Quotes, Email To: [smartfab@advancetabco.com](mailto:smartfab@advancetabco.com) or Fax To: 631-586-2933

**NEW YORK**  
Fax: (631) 242-6900

**GEORGIA**  
Fax: (770) 775-5625

**TEXAS**  
Fax: (972) 932-4795

**NEVADA**  
Fax: (775) 972-1578