

# PMG | PREMIER<sup>™</sup> METAL & GLASS

## READY TO SHIP

FULLY WELDED, STAINLESS STEEL, TEMPERED GLASS FOOD SHIELDS



**FULL SERVE**

**TM2N-RS-48**

**TM2N-RS-62**

COUNTER MOUNT

✓ FREIGHT INCLUDED (CONTIGUOUS 48 STATES)

✓ CHOOSE FROM: 48"- COVERS MOST 3-WELL DROP-IN  
62"- COVERS MOST 4-WELL DROP-IN

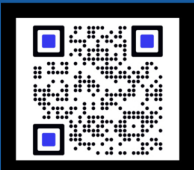
✓ SHIPS WITHIN 5 DAYS FROM ATLANTA, GA

✓  COMPLIANT

AVAILABLE ON

 AutoQuotes

PMG | PREMIER<sup>™</sup>  
METAL & GLASS



*The High-End, Permanent Solution*

1-800-251-5800  
WWW.PMG-INC.COM

# TECHNICAL SPECS:

## CARTON CONTAINS:

(2) STAINLESS STEEL END POSTS

(2) 3/8" GLASS END PANELS

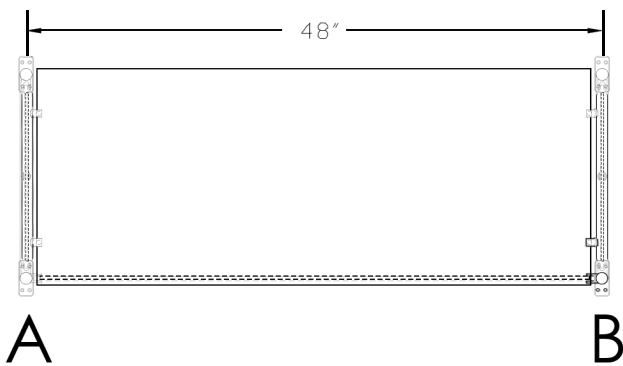
(1) 3/8" GLASS TOP PANEL

(1) 3/8" GLASS FRONT PANEL

(1) PACKET OF HARDWARE AND INSTALLATION TOOLS

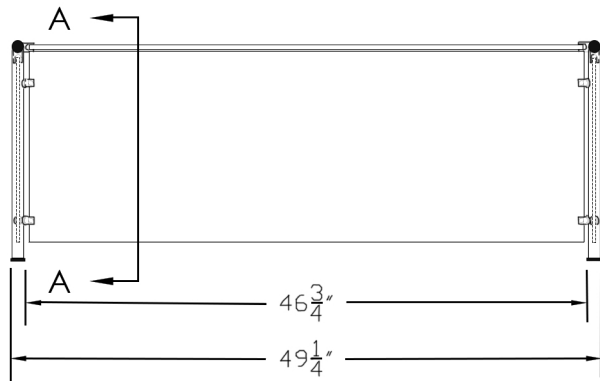
(1) SET OF INSTRUCTIONS

48" MODEL SHOWN



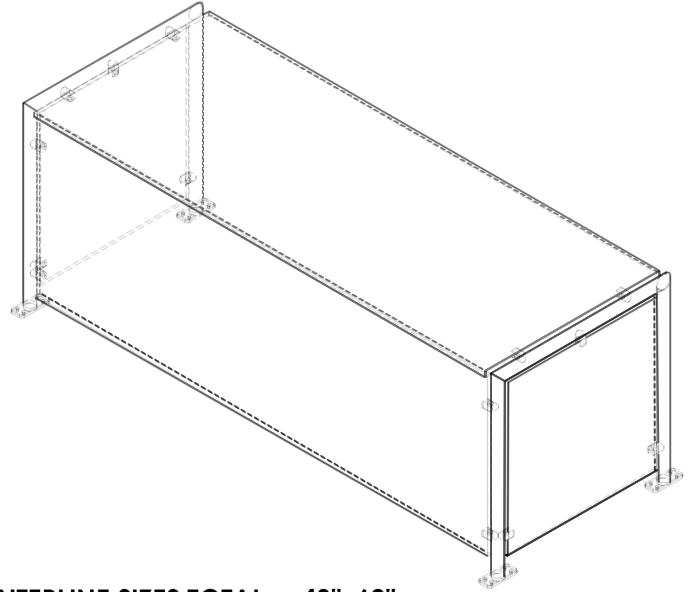
Plan View

Scale 3/4"=1'-0"



Elevation View

Scale 3/4"=1'-0"



2 CENTERLINE SIZES TOTAL ... 48", 62"

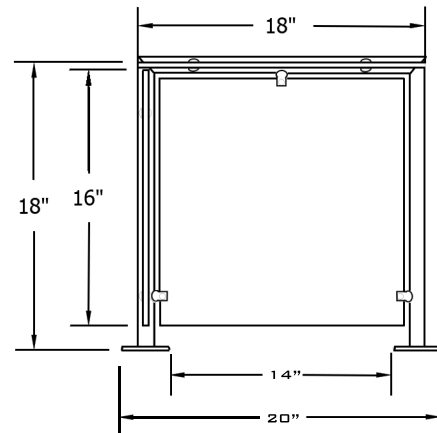
GLASS DIMS : TOP / SLANT

46-1/4" x 18"/16" (48" CL / PART# TM2N-RS-48)

60-1/4" x 18"/16" (62" CL / PART# TM2N-RS-62)

GLASS DIMS : END PANELS

15-1/4" x 15-7/16"



Section A-A  
Scale 1" = 1'-0"