



Foodservice Equipment

Job \_\_\_\_\_ Item# \_\_\_\_\_

## Electric Hot Plates

*TMHPE & TMHPF*

### Standard Features:

#### Model TMHPE

- Removable coil-type incoloy sheath tubular elements.
- Independent infinite controls for precise temperature control.
- Requires only 12" of counter space.
- Drip pan for easy cleaning.
- Adjustable 4" legs.

#### Model TMHPF

- Two each 9" solid round ceramic heating element.
- Independent controls for precise temperature control.
- Solid top design for easy clean-up and even heat distribution.
- Requires only 12" of counter space.
- Adjustable 4" legs.



*TMHPE*



*TMHPF*

### Applications:

Toastmaster's countertop electric hot plates are the most economical and flexible countertop hot plates in the food service industry. They offer unsurpassed performance, combining a proven control system with Toastmaster quality and durability.

### General Information:

Stainless steel front including top rail, with

aluminized steel rear and sides. Units include full drip tray for easy cleaning. Both models are designed with (2) 9" cooking plates.

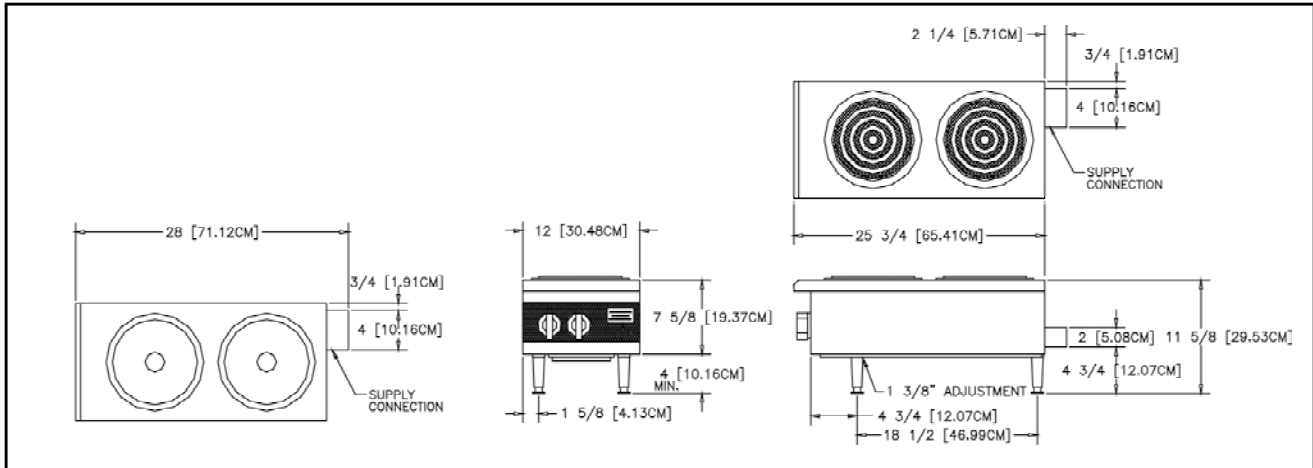
### Warranty:

Toastmaster hot plates are covered by Toastmaster's one year parts and labor warranty.



# Electric Hot Plates

## TMHPE & TMHPF



Model Number	TMHPE	TMHPF
<b>Dimensions</b>	12-3/16" W x 11-15/16" H x 28-7/8" L	12-3/16" W x 11-15/16" H x 28-7/8" L
<b>Cooking Surface Height (In.) (cm)</b>	11-5/8 (29.5)	11-5/8 (29.5)
<b>Number of Controls</b>	2	2
<b>Installed Weight (lbs.) (kg)</b>	30 lbs. (13.6)	35 lbs. (18.1)
<b>Shipping Weight (lbs.) (kg)</b>	35 lbs. (15.9)	45 lbs. (20.4)

\*4" (10cm) legs with 1-3/8" (3.5cm) adjustment

Model No.	Rated Wattage		Nominal Amps - Single Phase	
	208V	240V	208V	240V
TMHPE	3150	4200	15.1	17.5
TMHPF	3900	5200	18.8	21.6

### Typical Specifications:

Electric hot plates are constructed of aluminized steel with stainless top and front. Units are equipped with infinite controls, 2 indicator lights, and are available with incoloy sheath tubular elements or sealed ceramic elements. Hot plates have a junction box at the rear of the unit for electrical connection and operate on 208V or 240V. Units carry the approval of Underwriters' Laboratories, NSF listed and CSA approved. Printed in the U.S.A.

**INTENDED FOR COMMERCIAL USE ONLY. NOT FOR HOUSEHOLD USE.** TM104/1060



Toastmaster, in line with its policy to continually improve its product, reserves the right to change materials or specifications without notice. Such revisions do not entitle the buyer to corresponding changes, improvements, additions, or replacements for previously purchased equipment.



**Toastmaster**® 10 Sunnen Dr, St. Louis MO 63143 • www.toastmastercorp.com  
Toll Free: 1-800-264-7827 • Telephone: 1-314-781-2777 • Fax: 1-314-781-3636