



T&S BRASS AND BRONZE WORKS, INC.

2 Saddleback Cove / P.O. Box 1088
Travelers Rest, SC 29690

Model No.

B-0605-CR-EK

Item No.

Travelers Rest, SC: 800-476-4103 • Simi Valley, CA: 800-423-0150 • Fax: 864-834-3518 • www.tsbrass.com

This Space for Architect/Engineer Approval

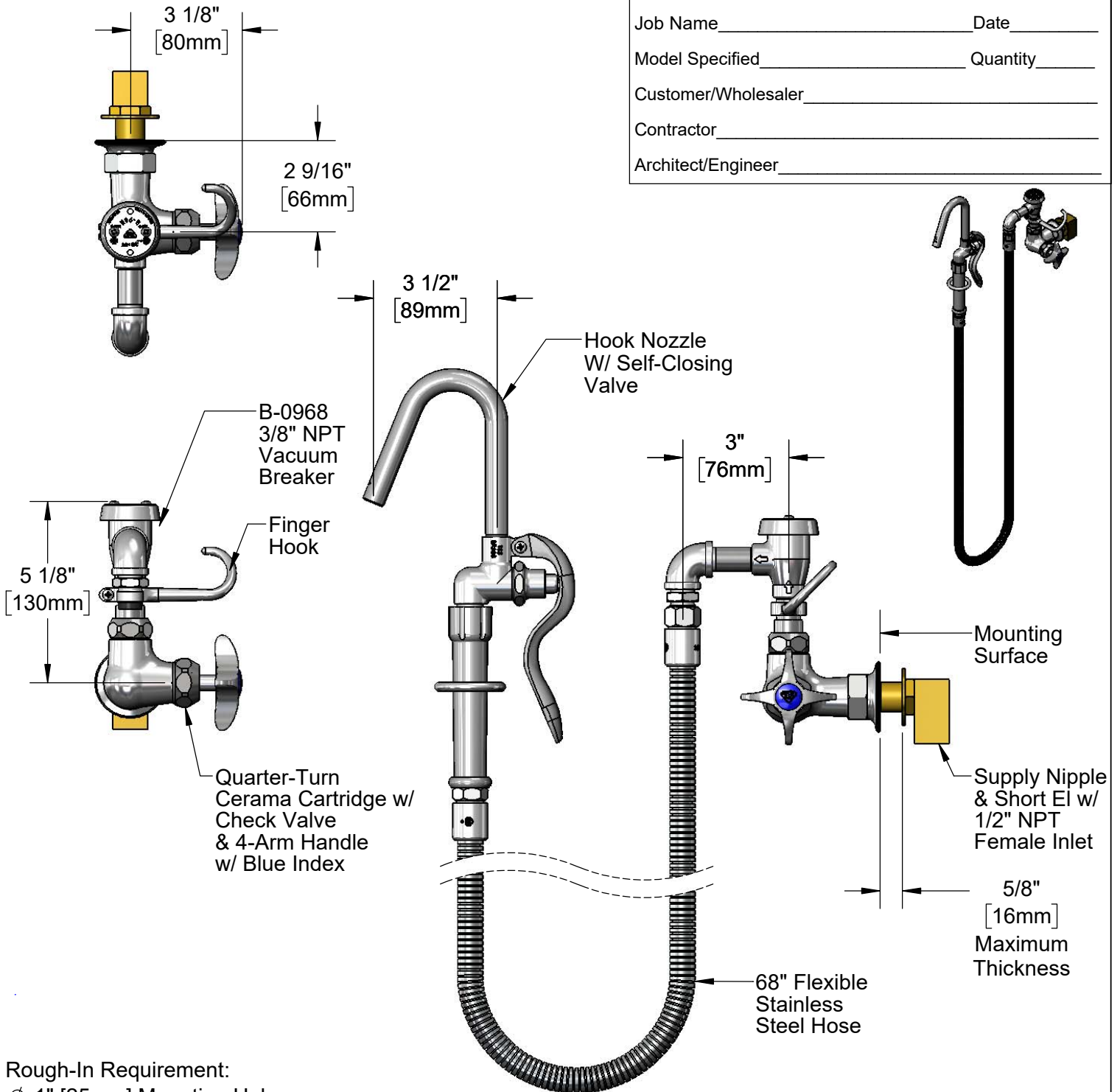
Job Name _____ Date _____

Model Specified _____ Quantity _____

Customer/Wholesaler _____

Contractor _____

Architect/Engineer _____



Rough-In Requirement:
Ø 1" [25mm] Mounting Hole

Product Specifications:

Kettle & Pot Filler Wall Mount Faucet, Quarter-Turn Cerama Cartridge w/ Check Valve, 3/8" NPT Vacuum Breaker, 4-Arm Handle, 68" Flexible Stainless Steel Hose, Hook Nozzle & 1/2" NPT Female Inlet

Product Compliance:

ASME A112.18.1 / CSA B125.1
NSF 61 - Section 9
NSF 372 (Low Lead Content)
ASSE 1001
EPA Act 2005 Non-Compliant (PRSV)

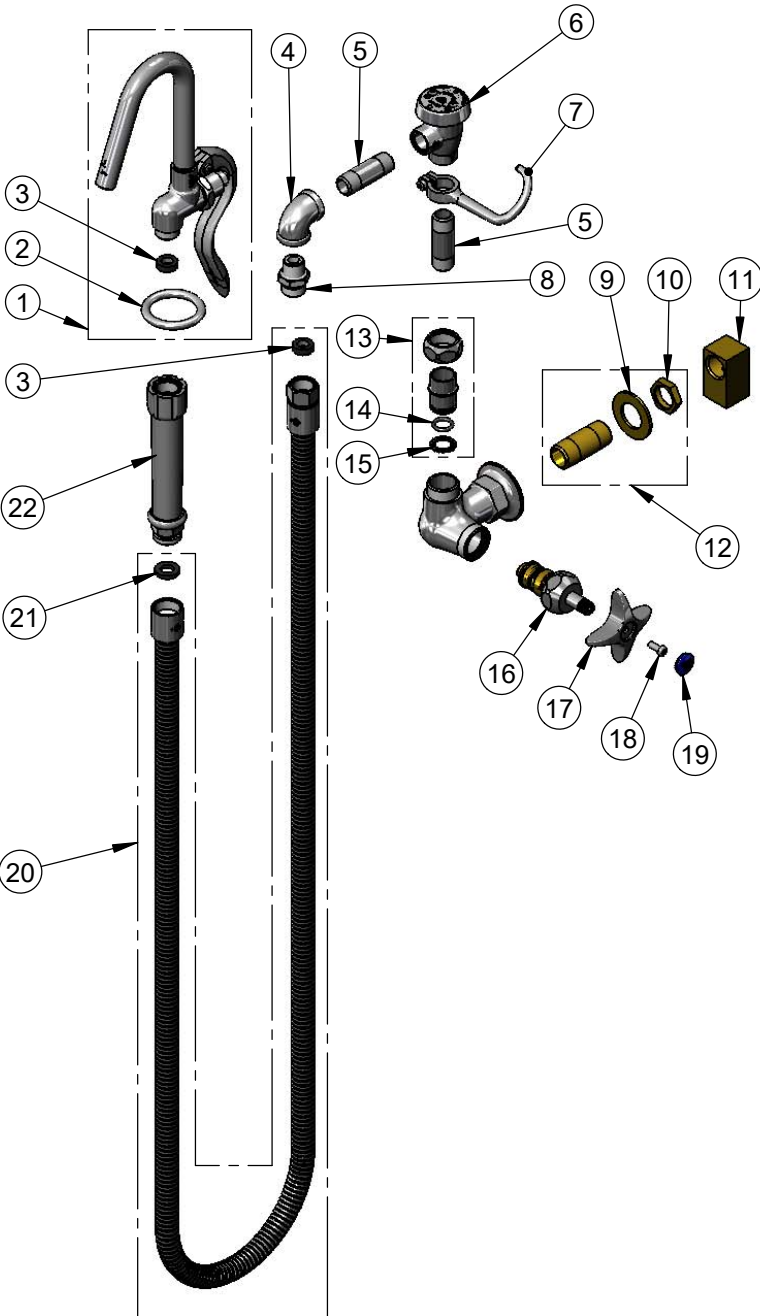


T&S BRASS AND BRONZE WORKS, INC.
 2 Saddleback Cove / P.O. Box 1088
 Travelers Rest, SC 29690

Model No.
B-0605-CR-EK

Item No.

Travelers Rest, SC: 800-476-4103 • Simi Valley, CA: 800-423-0150 • Fax: 864-834-3518 • www.tsbrass.com



| ITEM NO. | SALES NO. | DESCRIPTION |
|----------|-------------|---|
| 1 | 002851-40 | Hook Nozzle w/ Self-Closing Valve |
| 2 | 000907-45 | Spray Valve Hold Down Ring |
| 3 | 010476-45 | #27 Washer |
| 4 | 001355-40 | Elbow, 3/8 NPT |
| 5 | 000357-40 | Nipple, 3/8" NPT x 2" |
| 6 | B-0968 | 3/8" NPT Vacuum Breaker |
| 7 | 004R | Finger Hook |
| 8 | 053A | Adapter, 3/8" NPT Male |
| 9 | 000999-45 | Brass Lock Washer |
| 10 | 002954-45 | Shank Lock Nut |
| 11 | 006895-20 | Short EI, 1/2 NPT-F x 1/2 NPT-F |
| 12 | B-0425 | 1/2" NPT Supply Nipple Kit |
| 13 | EZ-K | EasyInstall Kit |
| 14 | 006562-45 | O-ring |
| 15 | 014200-45 | Star Washer, Anti-Rotation |
| 16 | 012394-25NS | Quarter-Turn Cerama Cartridge w/ Check Valve, RTC |
| 17 | 002521-45NS | 4-Arm Handle (New Style) |
| 18 | 000925-45 | Lab Handle Screw |
| 19 | 018506-19NS | Blue Button Index, Press-in |
| 20 | B-0068-H2A | 68" Flexible Stainless Steel Hose, Less Handle |
| 21 | 001014-45 | Washer |
| 22 | 002987-40 | Grip Handle |

Product Specifications:

Kettle & Pot Filler Wall Mount Faucet, Quarter-Turn Cerama Cartridge w/ Check Valve, 3/8" NPT Vacuum Breaker, 4-Arm Handle, 68" Flexible Stainless Steel Hose, Hook Nozzle & 1/2" NPT Female Inlet

Product Compliance:

ASME A112.18.1 / CSA B125.1
 NSF 61 - Section 9
 NSF 372 (Low Lead Content)
 ASSE 1001
 EPAAct 2005 Non-Compliant (PRSV)