



UNDERBAR SINKS
Hand Sink With Towel Dispenser



ASME A112.19.3/
CSA B45.4
NSF/ANSI 2



JOB	
AREA	
ITEM NO.	
MODEL NO.	

MODELS	
TS Series	TSD Series
TS18HSN	TSD18HSN
TS18HST	TSD18HST

MODEL NUMBERS - TS18HSN, TSD18HSN, TS18HST, TSD18HST

KEY PRODUCT FEATURES AND BENEFITS

- Deep drawn stainless steel bowl for longevity of the equipment
- Combine with one of our Perlick commercial grade faucets – sold separately
- Includes a large capacity soap dispenser for less refills
- Stainless steel legs install without tools and have rust-free, adjustable feet
- Includes sound deadening pads for quiet operation
- Dispenser options for folded or rolled paper towels

Quick Features:

- All stainless steel construction for durability
- Heavy duty sink bowl for long life
- Four faucet options available to fit your needs
- Includes soap dispenser and paper towel holder to satisfy local health codes

Form No. SK01
Rev. 03.22.22

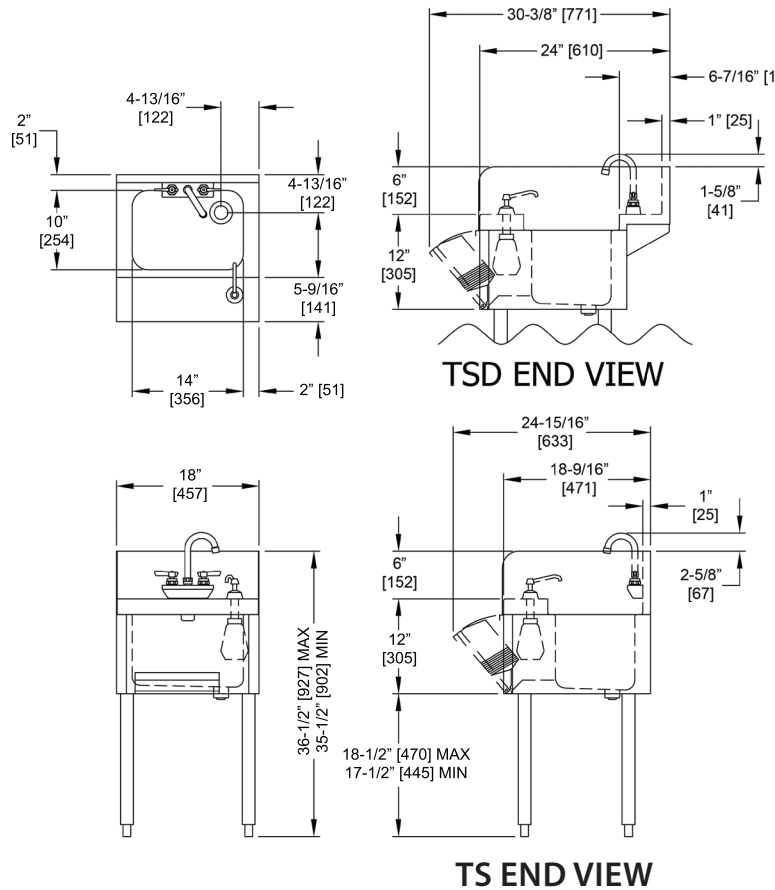


UNDERBAR SINKS

Hand Sink With Towel Dispenser

MODEL NUMBERS - TS18HSN, TSD18HSN, TS18HST, TSD18HST

MODEL NOS.	TS18HSN	TSD18HSN	TS18HST	TSD18HST	
DIMENSIONS: EXTERIOR (mm)	Length	18" (457)	18" (457)	18" (457)	18" (457)
	Width	18-9/16" (471)	24" (610)	18-9/16" (471)	24" (610)
	Ship Weight lbs.(kg)	60 (27)	60 (27)	60 (27)	60 (27)
PERLICK BAR EQUIPMENT	Towel Dispenser	Folded		Roll 8" Wide	
	Top & Sides	Stainless steel			
	Back & Bottom	Galvanized back, stainless steel bottom			
	Backsplash	Stainless steel 6" high (4" high optional) with 1" return at the top, mechanically fastened and sealed to hand sink top with steel support brackets. TSD Series: Stainless steel rear deck.			
	Legs	1-5/8" tubular, stainless steel with 1" adjustable thermoplastic feet			
	Door	Stainless steel hinged with magnetic catches			
	Bowl	Stainless steel, 10"x14" x 9-1/4" deep, with sound deadening underside. All horizontal and vertical edges 1-1/2" radius with balled corners. Furnished with 1-1/2" stainless steel drain socket. 8-1/2" standpipe.			
	Water Faucet	Hot and cold, heavy-duty all brass construction, chrome plated 18" double-jointed swing spout faucet. Must be ordered separately. Lead-free faucet also available.			
PLUMBING	Drain Connection	1-1/2" NPS male. Hot and cold water connection TS Series: 3/8" copper supply tubes TSD Series: 1/2" IPS shanks and nuts			



Faucet shown for clarity. Must be ordered separately.

Form No. SK01
Rev. 03.22.22