

TURBO air
REFRIGERATOR MANUFACTURER
more durable, efficient, beautiful

4184 E. Conant st.
Long Beach, CA 90808
Tel. 310-900-1000
Fax. 310-900-1077
www.turboairinc.com

Project :	
Model # :	
Item # :	Qty :
Available W/H :	
Approval :	

Two Compartment Sinks (No Drain Board)

HIGH QUALITY 304 STAINLESS STEEL

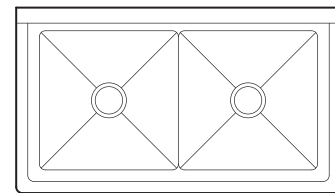
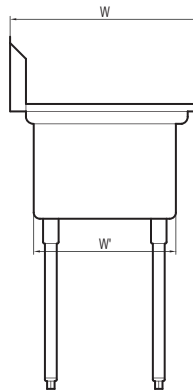
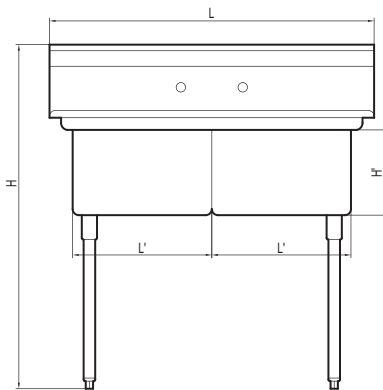
**Model : TSA-2-N
TSB-2-N**



* Faucet sold separately

TSA-2-N

- ENTIRE ASSEMBLY IS FUSED, SHIELDED AND POLISHED PROVIDING A ONE-PIECE SEAMLESS SINK UNIT
- WELDED AREAS ARE HIGH-SPEED BELT BLENDED TO MATCH ADJACENT SURFACES WITH THE CONTINUITY OF A SATIN FINISH
- ALL SINK COMPARTMENTS ARE COVERED ON A FULL 5/8" RADIUS AND CONSTRUCTED USING STATE OF THE ART SEAMLESS WELDING TECHNIQUES
- DIE-STAMPED CREASED DRAIN BOARDS FOR POSITIVE DRAINAGE
- SWIRL AWAY BOWL DRAINAGE
- GALVANIZED LEGS AND GUSSETS
- ADJUSTABLE ABS BULLET FEET
- STAINLESS STEEL LEGS AVAILABLE (OPTIONAL)



(unit : inch)

Model	Ga.	Bowl Size (L' x W' x H')	Length	Width	Height	# of Faucet Accepted	Net Weight* (lbs.)
TSA-2-N	18	18x18x11	42	24	44 1/2	1	50
TSB-2-N	16	24x24x14	54	30	44 1/2	1	95

Ver.201410

Information and specifications are subject to change without notice.

* All net weights are approximated. Crafting fee will be added for shipping via common carriers (Please confirm at the time of the purchase).