



4184 E. Conant St.
 Long Beach, CA 90808
 Tel. 800-500-3519
 Fax. 310-900-1066
 www.turboairinc.com

Project :

Model # :

Item # :

Qty :

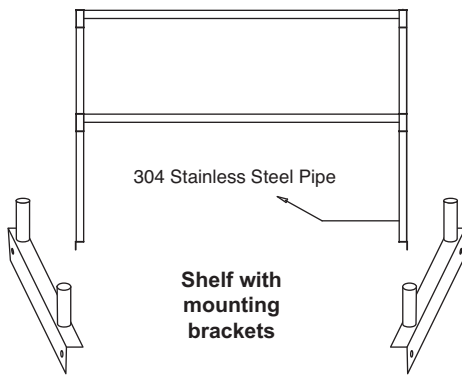
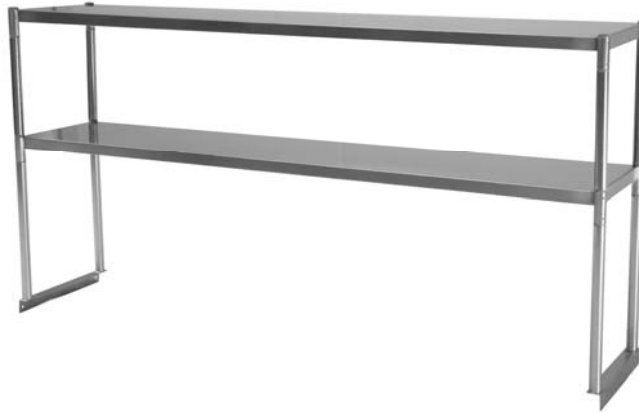
Available W/H :

Approval :

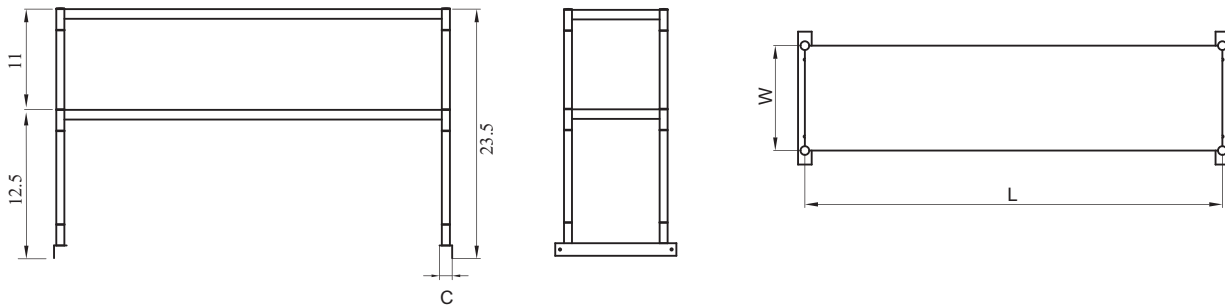
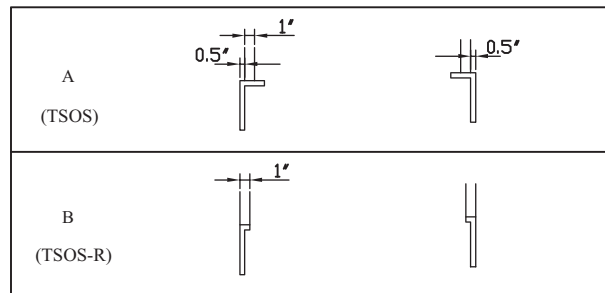
Over Shelves

HIGH QUALITY 304 STAINLESS STEEL

Model : TSOS-



Bracket Types



(Unit : inch)

Model	Ga.	L (in.)	D (in.)	H (in.)	C (in.)	Net Weight (lbs)
TSOS-3	18	36	12.8	23.5	1.5	26
TSOS-4	18	48	12.8	23.5	1.5	30
TSOS-5	18	60	12.8	23.5	1.5	35
TSOS-6	18	72	12.8	23.5	1.5	40

Model	Ga.	L (in.)	D (in.)	H (in.)	C (in.)	Net Weight (lbs)
TSOS-3R	18	36	12.8	23.5	1	26
TSOS-4R	18	48	12.8	23.5	1	30
TSOS-5R	18	60	12.8	23.5	1	35
TSOS-6R	18	72	12.8	23.5	1	40