



STAINLESS STEEL

TT, TTF & TTS Series Work Tables



Flat Top Shown



Fully Adjustable Leg Collar

Item #: _____ Qty #: _____
 Model #: _____
 Project #: _____

TT & TTF Series

FEATURES:

TT Series top is furnished with 1 5/8" square bend on ends and 1 5/8" sanitary rolled rim on front and rear and square sides.

TTF Series top is furnished with 1 5/8" square bend on sides and 1 5/8" sanitary rolled rim on front and and 1 1/2" backsplash on rear.

Two die formed hat channels are attached to underside of work table top to reinforce and maintain a level working surface.

Leg Collar at undershelf corner secures leg shelf to legs & is fully adjustable.

CONSTRUCTION:

All TIG welded. Exposed weld areas polished to match adjacent surface.

Top is sound deadened.

Die formed galvanized hat channels are secured to top by means of structural adhesive and weld studs.

Gussets welded to hat channels.

MATERIAL:

TOP: 18 Gauge Stainless Steel Type "430" Series

SHELF: 18 Gauge Galvanized Steel with Galvanized Steel Gussets

LEGS: 1 5/8" Diameter Tubular Galvanized Steel
 1" Adjustable Plastic Bullet Feet

FLAT TOP

W	L	Single Undershelf	WT.
24"	24"	TT-242	26 lbs.
	30"	TT-240	31 lbs.
	36"	TT-243	38 lbs.
	48"	TT-244	53 lbs.
	60"	TT-245	62 lbs.
	72"	TT-246	71 lbs.
	96"	TT-248*	100 lbs.
30"	30"	TT-300	38 lbs.
	36"	TT-303	43 lbs.
	48"	TT-304	61 lbs.
	60"	TT-305	75 lbs.
	72"	TT-306	83 lbs.
	96"	TT-308*	125 lbs.

1-1/2" BACKSPLASH

W	L	Single Undershelf	WT.
24"	24"	TTF-242	26 lbs.
	30"	TTF-240	31 lbs.
	36"	TTF-243	38 lbs.
	48"	TTF-244	53 lbs.
	60"	TTF-245	62 lbs.
	72"	TTF-246	71 lbs.
	96"	TTF-248*	100 lbs.
30"	30"	TTF-300	38 lbs.
	36"	TTF-303	43 lbs.
	48"	TTF-304	61 lbs.
	60"	TTF-305	75 lbs.
	72"	TTF-306	83 lbs.
	96"	TTF-308*	125 lbs.

*8' tables furnished with 6 legs

TTS Series All Stainless Steel

FEATURES:

Top is furnished with 1 5/8" square bend on ends and 1 5/8" sanitary rolled rim on front and rear.

Two die formed hat channels are attached to underside of work table top to reinforce and maintain a level working surface.

Leg Collar at undershelf corner secures leg shelf to legs and is fully adjustable.

CONSTRUCTION:

All TIG welded. Exposed weld areas polished to match adjacent surface.

Top is sound deadened.

Die formed galvanized hat channels are secured to top by means of structural adhesive and weld studs.

Gussets welded to hat channels.

MATERIAL:

TOP: 18 Gauge Stainless Steel Type "304" Series

SHELF: 18 Gauge Stainless Steel with Stainless Steel Gussets

LEGS: 1 5/8" Diameter Tubular Stainless Steel Steel
 1" Stainless Steel Legs & Bullet Feet

FLAT TOP

W	L	Single Undershelf	WT.
24"	24"	TTS-242	26 lbs.
	30"	TTS-240	31 lbs.
	36"	TTS-243	38 lbs.
	48"	TTS-244	53 lbs.
	60"	TTS-245	62 lbs.
	72"	TTS-246	71 lbs.
	96"	TTS-248*	100 lbs.
30"	30"	TTS-300	38 lbs.
	36"	TTS-303	43 lbs.
	48"	TTS-304	61 lbs.
	60"	TTS-305	75 lbs.
	72"	TTS-306	83 lbs.
	96"	TTS-308*	125 lbs.

*8' tables furnished with 6 legs



Customer Service Available To Assist You **1-800-645-3166** 8:30 am - 8:00 pm E.S.T.

Email Orders To: customer@advancetabco.com. For Smart Fabrication™ Quotes, Email To: smartfab@advancetabco.com or Fax To: 631-586-2933

NEW YORK
 Fax: (631) 242-6900

GEORGIA
 Fax: (770) 775-5625

TEXAS
 Fax: (972) 932-4795

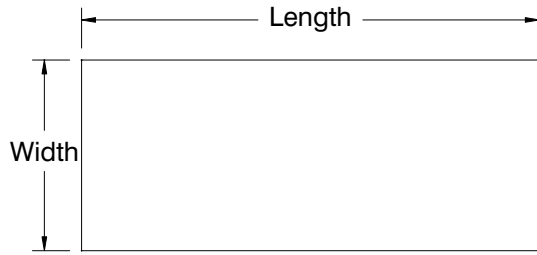
NEVADA
 Fax: (775) 972-1578

DIMENSIONS and SPECIFICATIONS

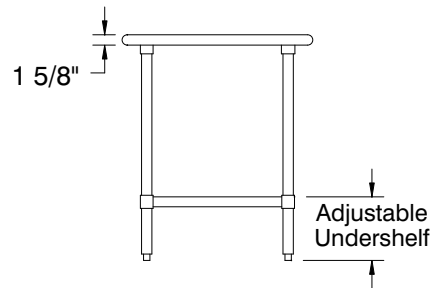
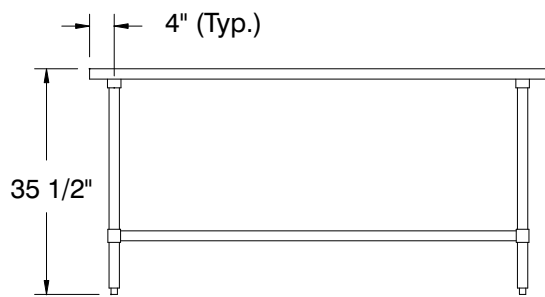
ALL DIMENSIONS ARE TYPICAL TOL ± .500"

All Units Shipped Unassembled (KD) for Reduced Shipping Costs.

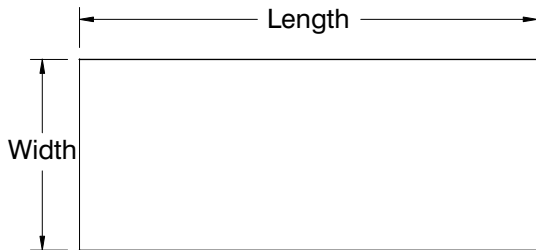
TT & TTS Series Flat Top Work Tables



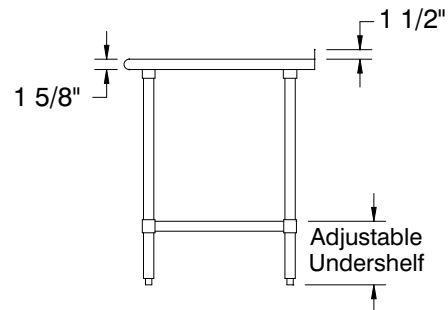
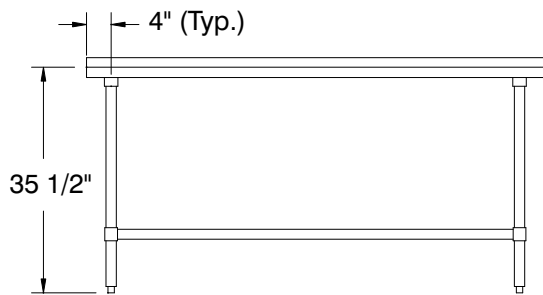
For Future Drawer Installation,
Order **TA-90 Drawer Adapter**
With The Drawer



TTF Series 1-1/2" Backsplash Work Tables



For Future Drawer Installation,
Order **TA-90 Drawer Adapter**
With The Drawer



200 Heartland Boulevard, Edgewood, NY 11717-8380

ADVANCE TABCO is constantly engaged in a program of improving our products. Therefore, we reserve the right to change specifications without prior notice.

© ADVANCE TABCO, SEPT 2012

A City Discount