

**REFRIGERATOR MANUFACTURER**  
**Turbo air**  
 more durable, efficient, beautiful

4184 E. Conant St.  
 Long Beach, CA 90808  
 Tel. 310-900-1000  
 Fax. 310-900-1077  
[www.turboairinc.com](http://www.turboairinc.com)

|                 |       |
|-----------------|-------|
| Project :       |       |
| Model # :       |       |
| Item # :        | Qty : |
| Available W/H : |       |
| Approval :      |       |

## Mega Top Unit

Food Prep Tables  
 E-line

**Model : EST-72-30-N**



### ≡ FEATURES & BENEFITS ≡

■ **Hydrocarbon refrigerants (R-290)**

With innovative and eco-friendly technology, Turbo Air brings you hydrocarbon refrigerators designed to meet DOE's Energy Conservation Standards in 2017 and to use EPA's SNAP Program approved HC refrigerants. Hydrocarbon refrigerants do not deplete the ozone layer and have very low contribution to global warming (ODP-0, GWP-3).

■ **Cold air compartment**

Our innovative "Cold Air Compartment" maintains temperature evenly for each pan to preserve fresh food longer. In addition, the compartment isolates pans from the reach-in area to prevent food spillage.

■ **Cabinet construction**

E-line model boasts an AL exterior (galvanized steel back and bottom). Interior is stainless steel floor and back with AL sides. It guarantees the utmost in cleanliness and long product life.

■ **Convenient cutting board side rail**

■ **High-density polyurethane insulation**

The entire cabinet structure and solid doors are foamed-in-place using high density, CFC free polyurethane insulation.

■ **Self-contained system**

■ **Standard 4" dia. swivel casters with locks on the front set**

■ **Standard 1/6 size, 4" deep condiment pans included**

■ **9-1/2" deep, 1/2" thick cutting board included**

■ **Adjustable, heavy duty, PE (polyethylene) coated wire shelves**

■ **Refrigerator holds 33°F ~ 39°F for the best in food preservation**



| Model              | Swing Door | CU./FT.   | #of Shelves | #of Pans  | #of Hood | HP         | AMPS       | Crated Weight (lbs.) | L x D' x H <sup>†</sup> (inches)                                      |
|--------------------|------------|-----------|-------------|-----------|----------|------------|------------|----------------------|---|
| <b>EST-72-30-N</b> | <b>3</b>   | <b>19</b> | <b>3</b>    | <b>30</b> | <b>2</b> | <b>1/3</b> | <b>5.7</b> | <b>396</b>           | <b>72<sup>5</sup>/<sub>8</sub> x 33<sup>7</sup>/<sub>8</sub> x 39</b> |

## Model : EST-72-30-N

| ELECTRICAL DATA            |   |
|----------------------------|---|
| Voltage                    | 115/60/1                                |
| Plug Type                  | ⓘ NEMA 5-15P                            |
| Full Load Amperes          | 5.7                                     |
| Compressor HP              | 1/3                                     |
| Cord Length (ft.)          | 9                                       |
| Refrigerant                | R-290                                   |
| DIMENSIONAL DATA           |   |
| Ext. Length Overall (in.)  | 72 <sup>5</sup> / <sub>8</sub> (1846mm) |
| Ext. Depth Overall (in.)*  | 33 <sup>7</sup> / <sub>8</sub> (859mm)  |
| Ext. Height Overall (in.)† | 39 (991mm)                              |
| # of Doors                 | 3                                       |
| # of Shelves               | 3                                       |
| # of Pans                  | 30                                      |
| Net Capacity (cu. ft.)     | 19                                      |
| Shelf Size (in.)           | 21 x 16 <sup>7</sup> / <sub>8</sub>     |
| Net Weight (lbs.)          | 356                                     |
| Gross Weight (lbs.)        | 396                                     |

Design and specifications subject to change without notice.  
Actual shipping weight may differ due to extra packing materials for product protection.  
\* Depth does not include 3" for cutting boards and 1" for rear spacers.  
† Height does not include 5-1/2" for caster height.

■ **WARRANTY : 2 Year Parts and Labor Warranty**  
**Additional 3 Year Warranty on Compressor**

■ **STANDARD FEATURES**

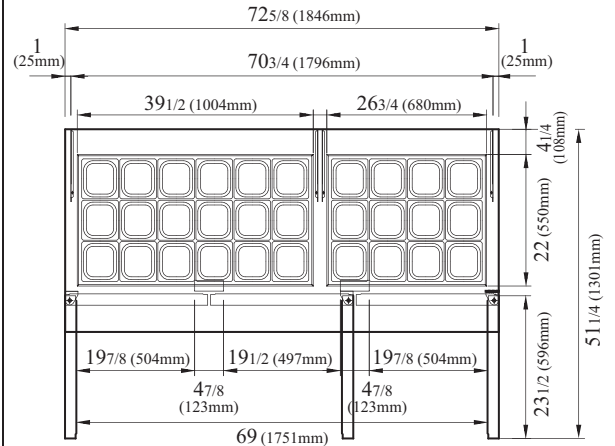
- Self-contained system
- Standard 4" dia. swivel casters with locks on the front set
- Standard 1/6 size, 4" deep condiment pans included

■ **OPTIONAL ACCESSORIES**

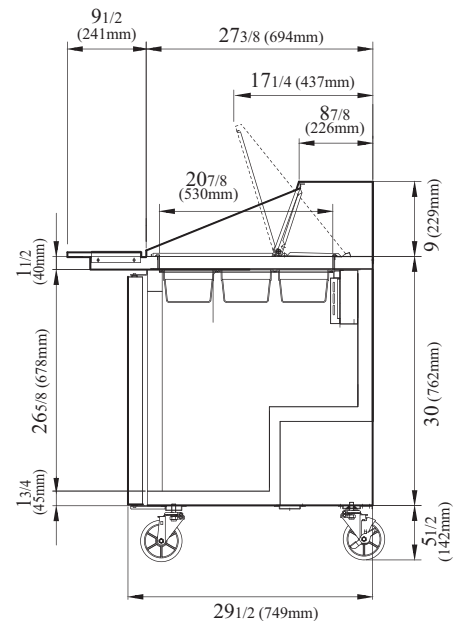
- 1" caster, 1/2" diameter & 13 TPI: S28R813660 (non-brake)
- 2.5" caster, 1/2" diameter & 13 TPI: 30265H0100 (non-brake), 30265H0200 (w/ brake)
- 5" caster, 1/2" diameter & 13 TPI: M726500100 (non-brake), M726500200 (w/ brake)
- Leveling leg, 1/2" - 13TPI x 1.54": LFM1213566
- 6" ABS plastic leg: 30221M0200
- 6" stainless steel leg: 30221M0600
- Removable food cover: RCT-48-18/72-30-L (Left) / RCT-60-24/72-30-R (Right)
- Stainless steel double overshelf: TSOS-6R

## PLAN VIEW

(unit : inch)



TOP VIEW



SIDE VIEW

Ver.20190412



- Turbo Air : 800-627-0032
- GK : 800-500-3519
- Warranty : 800-381-7770
- AC : 888-900-1002