

REFRIGERATOR MANUFACTURER
Turbo air
 more durable, efficient, beautiful

4184 E. Conant St.
 Long Beach, CA 90808
 Tel. 310-900-1000
 Fax. 310-900-1077
www.turboairinc.com

Project :	
Model # :	
Item # :	Qty :
Available W/H :	
Approval :	

Swing Door Merchandisers

Glass Door Merchandisers
 Super Deluxe Series

Model : TGM-7SD-N6

≡ FEATURES & BENEFITS ≡

- **Hydrocarbon refrigerants (R-600a)**
 With innovative and eco-friendly technology, Turbo Air brings you hydrocarbon refrigerators designed to meet DOE's Energy Conservation Standards in 2017 and to use EPA's SNAP Program approved HC refrigerants. Hydrocarbon refrigerants do not deplete the ozone layer and have very low contribution to global warming (ODP-0, GWP-3).
- **Double pane glass doors with Low-E glass**
 Energy saving double pane glass doors are equipped with Low-emissivity glass, which reduces outer heat gain and decreases energy consumption. It enhances energy efficiency and minimizes condensation. Lightweight door construction also reduces door maintenance and bushing wear, which in turn facilitates smoother door opening.
- **High-density polyurethane insulation**
 The entire cabinet structure is foamed-in-place using high density, HCFC free polyurethane insulation.
- **LED interior lighting**
- **Refrigerator holds 33°F ~ 38°F for the best in food preservation**



TGM-7SDW-N6



TGM-7SDB-N6

NATURAL Refrigerant

SPFC
 ISO 9001:2008

ETL
 Intertek

ETL
 Intertek

3 YEAR WARRANTY

Compressor
5 YEAR WARRANTY
 (U.S.A. only)

ENERGY STAR®
 Qualified

Model	Swing Door	CU./FT.	#of Shelves	HP	AMPS	Crated Weight (lbs.)	L x D* x H† (inches)
TGM-7SD-N6	1	6.2	3	1/8	1.4	202	25 x 23 1/4 x 38 1/8

Model : TGM-7SD-N6

ELECTRICAL DATA	
Voltage	115/60/1
Plug Type	Ⓜ NEMA 5-15P
Full Load Amperes	1.4
Compressor HP	1/8
Cord Length (ft.)	9
Refrigerant	R-600a
DIMENSIONAL DATA	
# of Doors	1
Net Capacity (cu. ft.)	6.2
Ext. Length Overall (in.)	25 (635mm)
Ext. Depth Overall (in.)*	23 1/4 (590mm)
Ext. Height Overall (in.)†	38 1/8 (970mm)
Int. Length Overall (in.)	20 5/8 (525mm)
Int. Depth Overall (in.)	18 3/4 (475mm)
Int. Height Overall (in.)	33 7/8 (860mm)
Net Weight (lbs.)	171
Gross Weight (lbs.)	202
# of Shelves	3
Shelf Size (L x D) (in.)	19 3/8 x 16 5/8

Design and specifications subject to change without notice.
Actual shipping weight may differ due to extra packing materials for product protection.
* Depth does not include 2-1/4" for door handle.
* Depth does not include 2-3/8" for rear mechanical component and additional 1-5/8" for a power cord bushing & radius of curvature.
† Height does not include 2-1/4" (56mm) for leg height.

■ **WARRANTY : 3 Year Parts and Labor Warranty**
Additional 2 Year Warranty on Compressor

■ **Standard features**

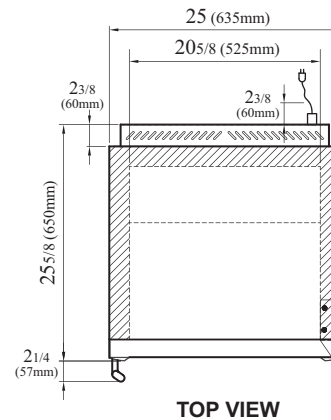
- **Anti-corrosion coated evaporator**
- **Door locks standard**
- ‡ **Two color options available (standard):** white cabinet (W), black cabinet with black color trim (B).
* Please allow extra lead time for white cabinet with wine color trim.

■ **OPTIONAL ACCESSORIES :**

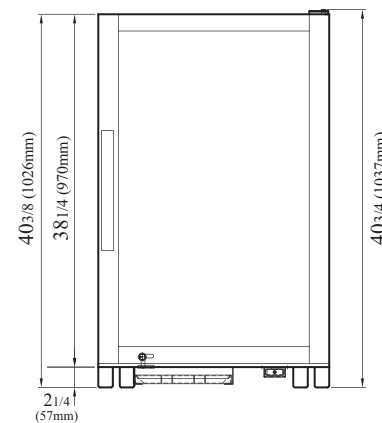
- 2.5" dia. casters available -1/2" dia. & 13 TPI (Refer TGM-5SD-N6)
- Price tag channel available (optional): P0122K5700

PLAN VIEW

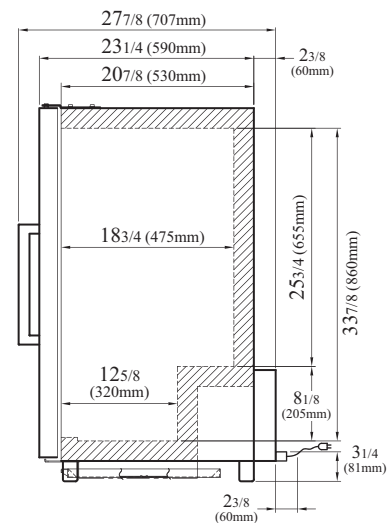
(unit : inch)



TOP VIEW

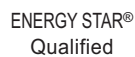


FRONT VIEW



SIDE VIEW

Ver.20190103



- Turbo Air : 800-627-0032
- GK : 800-500-3519
- Warranty : 800-381-7770
- AC : 888-900-1002

