

**REFRIGERATOR MANUFACTURER**  
**Turbo air**  
 more durable, efficient, beautiful

4184 E. Conant St.  
 Long Beach, CA 90808  
 Tel. 310-900-1000  
 Fax. 310-900-1077  
[www.turboairinc.com](http://www.turboairinc.com)

|                 |       |
|-----------------|-------|
| Project :       |       |
| Model # :       |       |
| Item # :        | Qty : |
| Available W/H : |       |
| Approval :      |       |

## Combination Case

European Straight Front Display Cases  
 Open Display Merchandisers

### Patented Self-Cleaning Condenser



This product is equipped with a fine mesh filter to the front of the condenser to catch dust, and a rotating brush that moves up and down daily to remove excess buildup outward and away.

## Model : TOM-W-40SW(B)-UF-N

**TWO FUNCTIONS IN ONE REFRIGERATOR**  
 (Refrigerated Merchandiser + Refrigerated Top Display Case)



\* Image shown here  
 TOM-W-50SB-UF-N

### ≡ FEATURES & BENEFITS ≡

#### ■ Self-Cleaning Condenser

The accumulation of dust in the condenser can cause the failure or breakdown of refrigerators. Refrigerators run normally until they reach a certain level of accumulation. At some point, when they are over the limit, their performance drops quickly resulting in damage to, or disposal of the stored products inside. The Self-Cleaning Condenser keeps the condenser clean and prevents system failure by automatically brushing daily.

#### ■ Hydrocarbon refrigerants (R-290)

With innovative and eco-friendly technology, Turbo Air brings you hydrocarbon refrigerators designed to meet the new standards of the EPA and DOE in 2017. Hydrocarbon refrigerants do not deplete the ozone layer and have very low contribution to global warming (ODP-0, GWP-3).

#### ■ Modern design

By integrating great contours with durable structures, our modern style product designs are user-friendly while maintaining the highest product visibility and aesthetics. Safety reinforced tempered glass front shield and side walls optimize the merchandiser's display effects of fresh salads, sandwiches, desserts and beverages. Its elegant contemporary euro design will enhance any store application.

#### ■ Designed to enhance impulsive sales

Ideal for eye-catching displays and convenient access with fast service in high traffic area.

#### ■ Stainless steel interior standard including back wall and deck pans

#### ■ Stainless steel solid shelves standard

#### ■ Standard back-guard improves airflow

#### ■ Foamed with polyurethane, high-density cell insulation (CFC Free)

#### ■ Perforated interior back wall and top for improved airflow

#### ■ Front air intake and rear air discharge



| Model             | CU./FT.<br>(Top / Bottom) | HP  | AMPS | Crated<br>Weight (lbs.) | L x D x H<br>(inches) |
|-------------------|---------------------------|-----|------|-------------------------|-----------------------|
| TOM-W-40S(B)-UF-N | 4.2 / 6.4                 | 3/4 | 6.9  | 535                     | 38 7/8 x 34 x 56 1/2  |

## Model : TOM-W-40SB-UF-N

| ELECTRICAL DATA                            |                                      |
|--|--------------------------------------|
| Voltage                                    | 115/60/1                             |
| Plug Type                                  | ⓘ NEMA 5-15P                         |
| Full Load Amperes                          | 6.9                                  |
| Compressor HP                              | 3/4                                  |
| Refrigerant                                | R-290                                |
| DIMENSIONAL DATA                           |                                      |
| Net Capacity (Top / Bottom) (cu. ft.)      | 4.2 / 6.4                            |
| Ext. Length Overall (in.)                  | 38 7/8 (987mm)                       |
| Ext. Depth Overall (in.)                   | 34 (864mm)                           |
| Ext. Height Overall (in.)                  | 56 1/2 (1435mm)                      |
| Int. Dimensions (L x D x H) (Top) (in.)    | 35 5/8 x 13 x 15 3/4                 |
| Int. Dimensions (L x D x H) (Bottom) (in.) | 35 5/8 x 24 x 13 7/8                 |
| Net Weight (lbs.)                          | 425                                  |
| Gross Weight (lbs.)                        | 535                                  |
| # of Shelves                               | 2                                    |
| Shelf Size (in.)                           | 34 1/2 x 11 5/8<br>35 x 9 3/4 (Step) |
| Power Cord Length (in.)                    | 59 1/8                               |

Design and specifications subject to change without notice.  
Actual shipping weight may differ due to extra packing materials for product protection.

**WARRANTY :** 2 Year Parts and Labor Warranty  
Additional 3 Year Warranty on Compressor

### STANDARD FEATURES :

- Anti-corrosion coated evaporator
- Simple plug-in installation
- Patented self-contained system, no plumbing required
- Standard color comes in black only
- Solar powered digital thermometer
- Digital electronic thermostat with defrost control
- LED interior lighting
- Recommended operating conditions:  
TOM models are designed to operate in an environment where temperature & humidity do not exceed 75°F and 55% respectively.  
Units should not be installed near HVAC vents, fans or doorways that will disrupt the air curtain and compromise the function of the cabinet.  
Air curtain models will run most efficiently when completely loaded with product.

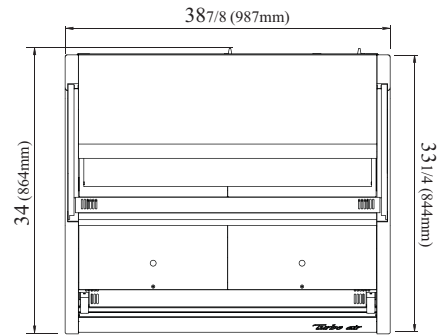
### OPTIONAL ACCESSORIES :

- Price tag channel: PW400000ZK (34 1/4" L)
  - White color option available (please allow 8 weeks lead time)
- \* Night Cover (NCT) is not applicable to TOM-W models.

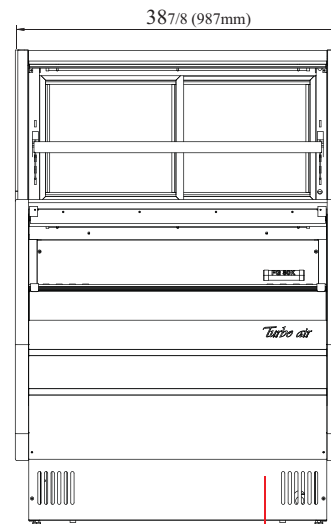
Ver.20180326

### PLAN VIEW

(unit : inch)

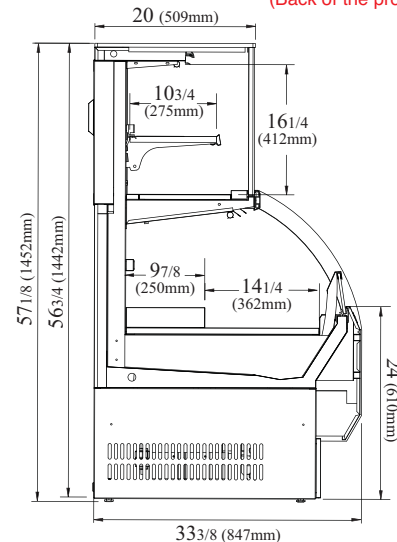


TOP VIEW



FRONT VIEW

Power Cord  
(Back of the product)



SIDE VIEW



- Turbo Air : 800-627-0032
- GK : 800-500-3519
- Warranty : 800-381-7770
- AC : 888-900-1002