



Project _____
 Item # _____
 Quantity _____

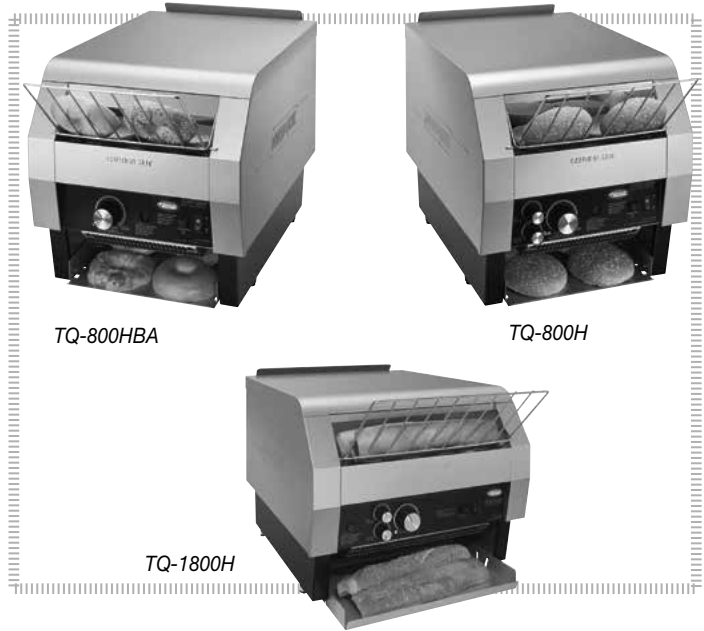
Toast-Qwik® Electric Conveyor Toasters

Models: TQ-800, -800H, -805, -800BA, -800HBA -1200, -1800, -1800H, -1800BA, -1800HBA

The Hatco Toast-Qwik® is an economical conveyor toaster with fast, dependable and versatile toasting, offering 800 to 1800 slices per hour. Hatco toasters utilize conveyor speed, not temperature to determine toasting color. This method allows for instant adjustment of toasting time to match the bread product being toasted.

Standard features

- Patented ColorGuard sensing system assures toast uniformity
- Power save mode with indicator light saves energy and money during slow periods
- Efficient design of front or rear discharge allows Toast-Qwik to be placed where it is most convenient – for sending product to operator side or customer/server
- BA models toast one side only and are for bagels and buns only, cut side up
- Opening height is 2" (5 mm) and for H models is 3" (8 mm)
- Insulation and an interior fan provide cool surface temperatures
- Toast storage area keeps bread warm and dry
- Permanently lubricated ball bearing motor and heating elements guaranteed against burnout and breakage for two years



Options (available at time of purchase only)

- Automatic Power Save Mode

Accessories

- Additional extended feed guide. (Add 3" (76 mm))
- Security Package
- 20 Amp Receptacle: 125V (NEMA 5-20R)
- 20 Amp Receptacle: 250V (NEMA 6-20R)
- 30 Amp Receptacle: 250V (NEMA 6-30R)



TQ-800 series only

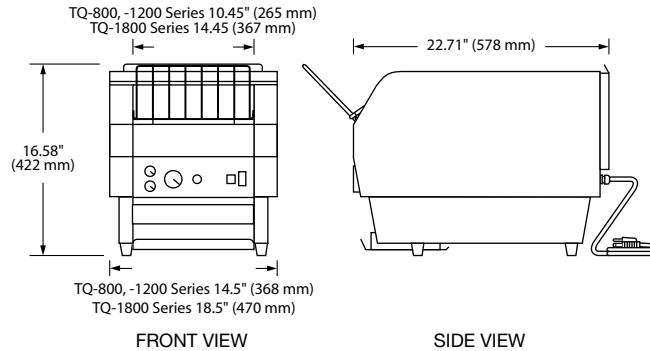


HATCO CORPORATION | P.O. Box 340500 Milwaukee, WI 53234-0500 U.S.A. | (800) 558-0607 | (414) 671-6350
 Fax: (800) 543-7521 | Int'l. Fax: (414) 671-3976 | www.hatcocorp.com | email: equipsales@hatcocorp.com



Toast Qwik® Electric Conveyor Toasters

Models: TQ-800, -800H, -805, -800BA, -800HBA -1200,-1800, -1800H, -1800BA, -1800HBA



SPECIFICATIONS Toast Qwik Conveyor Toasters

■ The shaded areas contain electrical information for International models only

Model	Dimensions (Width x Depth x Height)	Volts	Hertz	Phase	Watts	Amps	Plug	Ship Weight*							
TQ-800 TQ-800H	14.5" x 22.71" x 16.58" (368 x 578 x 422 mm) Tray extends 6.5" (165 mm) in rear	208	60	Single	3330	16.0	NEMA 6-20P†	62 lbs. (28 kg)							
		240			13.9	NEMA 6-15P‡									
		200	50/60		3080	15.4	AS 3112								
		220-230 (CE)			3019-3330	13.8-14.5	No Plug								
		230-240 (CE)			3330-3593	14.5-15.0									
TQ-805		230-240 (CE)	50/60	Single	3330-3593	14.5-15.0	No Plug	62 lbs. (28 kg)							
TQ-800BA TQ-800HBA		14.5" x 22.71" x 16.58" (368 x 578 x 422 mm) Tray extends 6.5" (165 mm) in rear	208	60	Single	3280	15.8	NEMA 6-20P†	62 lbs. (28 kg)						
			240			13.7	NEMA 6-15P‡								
			200	50/60		3033	15.1	AS 3112							
			220-230 (CE)			2791-3050	12.7-13.3	No Plug							
	230-240 (CE)		3050-3321			13.3-13.9									
TQ-1200	18.5" x 22.71" x 16.58" (470 x 578 x 422 mm) Tray extends 6.5" (165 mm) in rear		208	60	Single	4030	19.4	NEMA 6-30P	65 lbs. (30 kg)						
			240			4330	16.8								
TQ-1800			18.5" x 22.71" x 16.58" (470 x 578 x 422 mm) Tray extends 6.5" (165 mm) in rear	208		60	Single	4440		21.4	NEMA 6-30P	73 lbs. (33 kg)			
				240				18.5							
TQ-1800H				18.5" x 22.71" x 16.58" (470 x 578 x 422 mm) Tray extends 6.5" (165 mm) in rear		208		60		Single			4650	22.4	NEMA 6-30P
		240			19.4										
TQ-1800BA		18.5" x 22.71" x 16.58" (470 x 578 x 422 mm) Tray extends 6.5" (165 mm) in rear			208	60		Single	4580				22.0	NEMA 6-30P	
					240		19.1								
TQ-1800HBA					18.5" x 22.71" x 16.58" (470 x 578 x 422 mm) Tray extends 6.5" (165 mm) in rear	208	60		Single		4580	22.0	NEMA 6-30P		
						240				19.1					

* Shipping weight includes packaging.

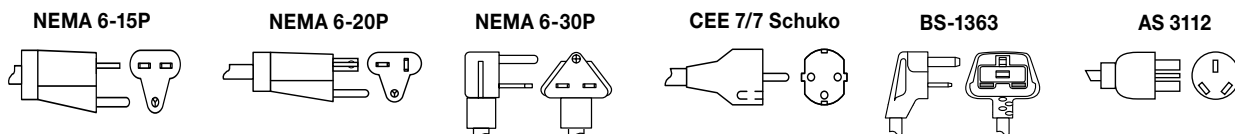
† Available with optional 6-30P cord

‡ NEMA 6-20P cord for Canada

CORD LOCATION

Bottom right corner on back of unit.

PLUG CONFIGURATIONS



PRODUCT SPECS Conveyor Toasters

The electric Conveyor Toaster with patented ColorGuard shall be a Hatco model ... as manufactured by the Hatco Corporation, Milwaukee, WI 53234 U.S.A. The toaster shall have the capacity to toast up to ... pieces per minute and it shall be rated at ... kW, ... volts, single phase. The toaster shall be of stainless steel design and shall include a front mounted controlpanel with a toast selector knob, variable speed

control knob, and a toast collector pan. The toaster will have multiple metal sheathed heating elements and an impedance protected motor. It shall be complete with factory attached UL listed 4' (1219 mm) cord and plug.

Comes with 24/7 parts and service assistance (U.S. and Canada only).

HATCO CORPORATION | P.O. Box 340500 Milwaukee, WI 53234-0500 U.S.A. | (800) 558-0607 | (414) 671-6350

Fax: (800) 543-7521 | Int'l. Fax: (414) 671-3976 | www.hatcocorp.com | email: equipsales@hatcocorp.com