

PRODUCT:

QUANTITY:

ITEM:

## Designed Smart

### Bid Specifications

Mobile, field adjustable Dish Dispenser features heavy-duty stainless steel frame construction and has a load capacity up to 210 lbs per tube. Tube diameters are field adjustable by positioning stainless steel guide rods in proper head guide holes. The mechanism in APW Wyott's Lowerators® uses springs attached to a sliding support bar that rides both inside and outside the tube. This design feature prevents a stack of dishware from sticking in the down position, and releasing unexpectedly. Available in heated or unheated modes. Tubular frame is welded construction. Unit has 4" polyurethane swivel casters, two with brakes.

### Applications

Mobile Dish Dispenser utilizes Adjustable® II self-leveling tubes that are field adjustable for weight and diameter. Holds and dispenses plates, saucers, or bowls. Hole cutouts in base align lower end of tubes in position to prevent movement during transit. Field adjustable for varying weight loads up to 210 lbs. per tube.

## Reliability backed by APW Wyott's Warranty

All APW Wyott Lowerators are backed by a 1-year limited warranty and a 1-year on-site labor warrant. \*

\*Certified by the following agencies:



Model: Trendline Adjustable II Plate Dispensers

### Models

TL2-5	TL2-6	TL2-6.5
TL2-7	TL2-8	TL2-9
TL2-10	TL2-12	TL2-13
HTL2-5	HTL2-6	HTL2-6.5
HTL2-7	HTL2-8	HTL2-9
HTL2-10	HTL2-6	HTL2-13
TL3-5	TL3-6	TL3-6.5
TL3-7	TL3-8	TL3-9
TL3-10		
HTL3-5	HTL3-6	HTL3-6.5
HTL3-7	HTL3-8	HTL3-9
HTL3-10		
TL4-5	TL4-6	TL4-6.5
TL4-7	TL4-8	TL4-9
TL4-10		
HTL4-5	HTL4-6	HTL4-6.5
HTL4-8	HTL4-9	HTL4-9

### OPTIONS

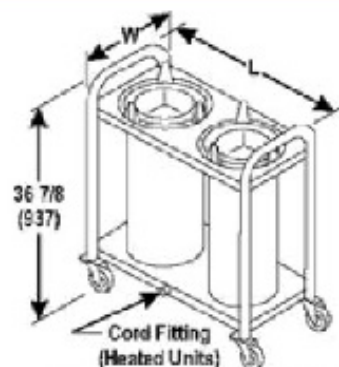
Add options suffix number below to model number  
 -5P 5" polyurethane casters, two with brakes  
 -RB Revolving corner bumpers

See reverse side for product specifications.

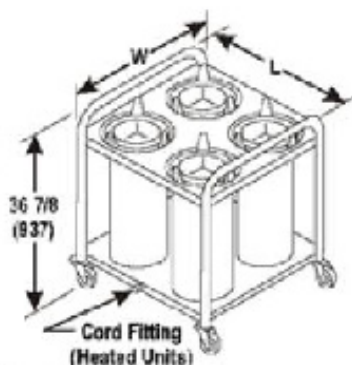
PRODUCT:

QUANTITY:

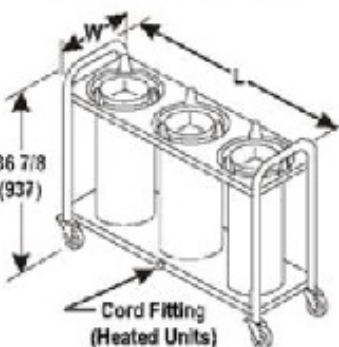
ITEM:



**Models TL/HTL2**

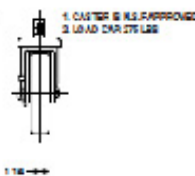
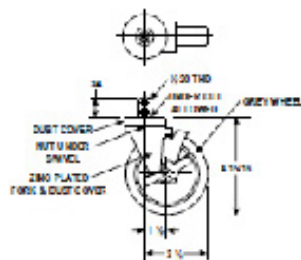


**Models TL/HTL4**



**Models TL/HTL3**

### TL/HTL Brake System



## PRODUCT SPECIFICATION

### Construction:

Stainless steel frame and tubes, stainless steel guide rods, polyurethane swivel casters. Each tube will hold a stack of china approximately 22" tall. Consult factory and provide sample of plate for fits other than round plates.

### Electrical Information:

Each heated tube has individual heaters and controls thermostat, on/off switch and light. Tube thermostats adjustable from 90 to 115F. Units provided with 5ft wire, 14 gauge power cord with NEMA 5-15P plug.

### Shipping:

FOB: Cheyenne, WY 82007

Unheated	Heated	Width	Amp	Dimensions Length/Width (in)		China Size (in)	China Size (mm)
TL2-5	HTL2-6	42.0	3.5	24	12 1/2	up to 5	12.7
TL2-6	HTL2-6	48.0	4	24	12 1/2	5 1/8 to 5 3/4	13 to 14.6
TL2-6.5	HTL2-6.5	54.0	4.5	24	12 1/2	5 7/8 to 6 1/2	14.9 to 16.5
TL2-7	HTL2-7	60.0	5	24	12 1/2	5 7/8 to 6 1/2	16.5 to 18.4
TL2-8	HTL2-8	66.0	5.5	30	15 1/2	7 3/8 to 8 1/8	18.7 to 20.6
TL2-9	HTL2-9	76.0	6.3	30	15 1/2	8 1/4 to 9 1/8	21.0 to 23.2
TL2-10	HTL2-10	84.0	7	30	15 1/2	9 1/4 to 10 1/8	23.5 to 25.7
TL2-12	HTL2-12	100	8.3	33 1/2	17	10 1/4 to 11 7/8	26 to 30.2
TL2-13	HTL2-13	100.0	9.2	31 11/16	18 1/8	12 to 13	30.5 to 33
TL3-5	HTL3-6	63.0	5.3	30 1/2	12 1/2	up to 5	12.7
TL3-6	HTL3-6	72.0	6	30 1/2	12 1/2	5 1/8 to 5 3/4	13 to 14.6
TL3-6.5	HTL3-6.5	81.0	6.8	35	15 1/2	5 7/8 to 6 1/2	14.9 to 16.5
TL3-7	HTL3-7	90.0	7.5	35	15 1/2	5 7/8 to 6 1/2	16.5 to 18.4
TL3-8	HTL3-8	99.0	8.3	41	17	7 3/8 to 8 1/8	18.7 to 20.6
TL3-9	HTL3-9	114.0	9.5	41	17	8 1/4 to 9 1/8	21.0 to 23.2
TL3-10	HTL3-10	126.0	10.5	44	17	9 1/4 to 10 1/8	23.5 to 25.7
TL4-5	HTL4-6	84.0	7	24 1/2	24 1/2	up to 5	12.7
TL4-6	HTL4-6	96.0	8	24 1/2	24 1/2	5 1/8 to 5 3/4	13 to 14.6
TL4-6.5	HTL4-6.5	108.0	9	24 1/2	24 1/2	5 7/8 to 6 1/2	14.9 to 16.5
TL4-7	HTL4-7	120.0	10	24 1/2	24 1/2	5 7/8 to 6 1/2	16.5 to 18.4
TL4-8	HTL4-8	132.0	11	30 1/2	30 1/2	7 3/8 to 8 1/8	18.7 to 20.6
TL4-9	HTL4-9	152.0	12.7	30 1/2	30 1/2	8 1/4 to 9 1/8	21.0 to 23.2
TL4-10	HTL4-10	168.0	14	30 1/2	30 1/2	9 1/4 to 10 1/8	23.5 to 25.7

\* APW/Wyott reserves the right to modify specifications or discontinue models without incurring obligation.