

**REFRIGERATOR MANUFACTURER**  
**Turbo air**

more durable, efficient, beautiful

4184 E. Conant St.  
 Long Beach, CA 90808  
 Tel. 310-900-1000  
 Fax. 310-900-1077  
[www.turboairinc.com](http://www.turboairinc.com)

Project:	
Model #:	
Item #:	
Available W/H:	Qty:
Approval:	
AIA #:	SIS #:
CSI Section 11400	

## Sandwich & Cheese Display Cases

Open Display  
Merchandisers

### Patented Self-Cleaning Condenser

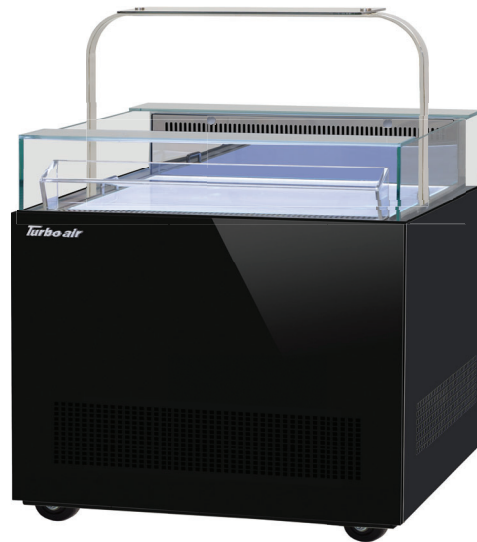


This product is equipped with a fine mesh filter to the front of the condenser to catch dust, and a rotating brush that moves up and down daily to remove excess buildup outward and away.

**Model : TOS-30NN-D-W(B)**



**TOS-30NN-D-W**



**TOS-30NN-D-B**

### ≡ FEATURES & BENEFITS ≡

■ **Self-Cleaning Condenser**

The accumulation of dust in the condenser can cause the failure or breakdown of refrigerators. Refrigerators run normally until they reach a certain level of accumulation. At some point, when they are over the limit, their performance drops quickly resulting in damage to, or disposal of the stored products inside. The Self-Cleaning Condenser device keeps the condenser clean and prevents system failure by automatically brushing daily.

■ **Hydrocarbon refrigerants (R-290)**

With innovative and eco-friendly technology, Turbo Air brings you hydrocarbon refrigerators designed to meet DOE's Energy Conservation Standards in 2017 and to use EPA's SNAP Program approved HC refrigerants. Hydrocarbon refrigerants do not deplete the ozone layer and have very low contribution to global warming (ODP-0, GWP-3).

■ **Exterior is white (black) with a mirror finish**

■ **Top shelf equipped**

Top shelf is white glass with a mirror finish and stainless steel frame.

■ **High-density polyurethane insulation**

The entire cabinet structure is foamed-in-place using high density, CFC free polyurethane insulation.

■ **Digital temperature controller**

■ **Single pane glass is tempered for safety**

■ **Stainless steel airflow grille**

■ **Self-contained system, no plumbing required**

■ **Bottom lit, LED interior lighting**

NATURAL  
Refrigerant

ETL  
Intertek

ETL  
Intertek

2 YEAR  
WARRANTY


Compressor  
5 YEAR  
WARRANTY  
U.S.A. 0007

Model	Load Line CU./FT.	HP	AMPS	Crated Weight (lbs.)	L x D x H* (inches)
<b>TOS-30NN-D-W(B)</b>	<b>1.31</b>	<b>1/3</b>	<b>8</b>	<b>481</b>	<b>30 1/4 x 35 3/8 x 40</b>

# Sandwich & Cheese Display Cases

Open Display Merchandisers

## Model : TOS-30NN-D-W(B)

ELECTRICAL DATA	
Voltage	115/60/1
Plug Type	 NEMA 5-15P
Full Load Amperes	8
Compressor HP	1/3
Cord Length (ft.)	8 1/4
Refrigerant	R-290
DIMENSIONAL DATA	
Load Line Net Capacity (cu. ft.)	1.31
Ext. Length Overall (in.)	30 1/4 (767mm)
Ext. Depth Overall (in.)	35 3/8 (900mm)
Ext. Height Overall (in.)*	40 (1017mm)
Int. Length Overall (in.)	25 3/8 (645mm)
Int. Depth Overall (in.)	25 1/4 (641mm)
Int. Height Overall (in.)	6 1/2 (164mm)
Int. Height Load limit (in.)	3 1/2 (90mm)
Top Shelf Size (L x D)(in.)	17 1/2 x 9 7/8
Net Weight (lbs.)	316
Gross Weight (lbs.)	481

Design and specifications subject to change without notice.

Actual shipping weight may differ due to extra packing materials for product protection.

\* Height does not include 2-1/4" for caster height.

■ **WARRANTY : 2 Year Parts and Labor Warranty**  
**Additional 3 Year Warranty on Compressor**

### ■ STANDARD FEATURES

- White and black color come standard
- 3" dia. swivel casters with locks on the rear set

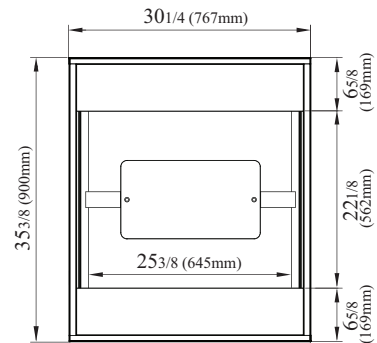
\*\* Extended lead time applies. Please contact your sales representative for more details to order.

### ■ Recommended operating conditions

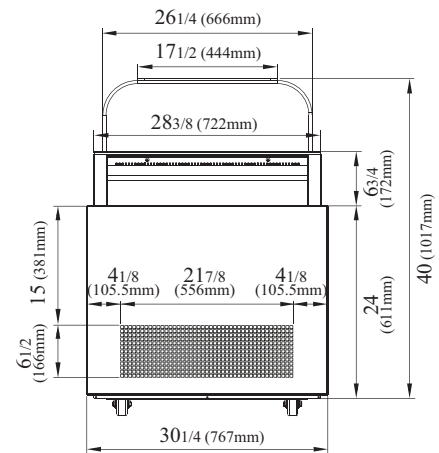
TOS models are designed to operate in an environment where temperature & humidity do not exceed 75°F and 55% respectively. Keep the cycle air duct area clear of objects for optimal cooling.

## PLAN VIEW

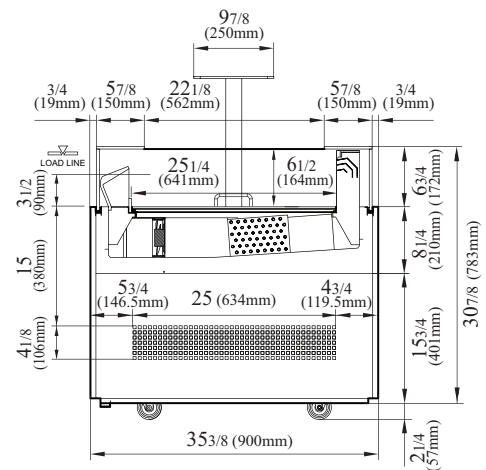
(unit : inch)



TOP VIEW



FRONT VIEW



SIDE VIEW

Ver.20210728



■ Turbo Air : 800-627-0032 ■ GK : 800-500-3519  
 ■ Warranty : 800-381-7770 ■ AC : 888-900-1002

REFRIGERATOR MANUFACTURER  
**Turbo air**

GERMAN  
**KNIFE**

||| **RADIANCE**

HYDROBINATION SYSTEM  
**Turbo air**

**TEXAKING**

Continued product development may necessitate specification changes without notice.