

| | |
|-------------------|--------|
| Project: | |
| Model #: | |
| Item #: | |
| Available W/H: | Qty: |
| Approval: | |
| AIA #: | SIS #: |
| CSI Section 11400 | |

Sandwich / Salad Unit - Drawers / Front Breathing Airflow

Food Prep Tables - Drawers
 Super Deluxe Series

FEATURES & BENEFITS

Self-Cleaning Condenser

The accumulation of dust in the condenser can cause the failure or breakdown of refrigerators. Refrigerators run normally until they reach a certain level of accumulation. At some point, when they are over the limit, their performance drops quickly resulting in damage to, or disposal of the stored products inside. The Self-Cleaning Condenser device keeps the condenser clean and prevents system failure by automatically brushing daily.

Digital temperature control & monitor system

Keeps food products safe by maintaining constant temperatures. External digital display allows for easy monitoring.

Front Breathing airflow

Front Breathing airflow is designed to draw in air and discharge from the front, allowing units to run at high efficiency in tight spaces and eliminates the need for surrounding clearances.

Hydrocarbon refrigerants (R-290)

With innovative and eco-friendly technology, Turbo Air brings you hydrocarbon refrigerators designed to meet DOE's Energy Conservation Standards in 2017 and to use EPA's SNAP Program approved HC refrigerants. Hydrocarbon refrigerants do not deplete the ozone layer and have very low contribution to global warming (ODP-0, GWP-3).

Cold Bunker system

Our innovative forced air system allows cold air to flow all around the food pan area, covering not only underneath the pan, but also the front, top and the rear. This unique air flow creates a cold air-shield around the pan, which maintains the food temperature at under 41°F (NSF requirement) even when the lids are opened. In addition, the compartment isolates pans from the reach-in area to prevent food spillage.

Stainless steel cabinet construction

The Turbo Air Super Deluxe model boasts a stainless steel interior (ABS door liner) and exterior (galvanized steel back & bottom). It guarantees the utmost in cleanliness and long product life. The Super Deluxe adds a touch of style to the most refined setting.

High-density polyurethane insulation

The entire cabinet structure and solid doors are foamed-in-place high density, CFC free polyurethane insulation.

Insulated pan cover

9-1/2" deep, 1/2" thick high-density Polyethylene cutting board included with convenient side rail

Each top drawer accommodates up to 6" deep, (2) two 1/3 size pans with (2) two 1/6 size pans or (6) six 1/6 size pans. And each bottom drawer accommodates up to 6" deep, (2) two 1/3 size pans or (4) four 1/6 size pans (drawer pans not included)

Model : TST-48SD-D2R-FB-N TST-48SD-D2L-FB-N



TST-48SD-D2R-FB-N



TST-48SD-D2L-FB-N



Patented Self-Cleaning Condenser

This product is equipped with a fine mesh filter to the front of the condenser to catch dust, and a rotating brush that moves up and down daily to remove excess buildup outward and away.


Refrigerator holds 33°F ~ 39°F for the best in food preservation

- TST-48SD-D2R-FB-N: (Left)Drawer + (Right)Right hinged door
- TST-48SD-D2L-FB-N: (Right)Drawer + (Left)Left hinged door



| Model | Swing Doors | Drawers | CU./FT. | #of Shelves | #of Pans | HP | AMPS | Crated Weight (lbs.) | L x D x H† (inches) |
|----------------------|-------------|---------|---------|-------------|----------|-----|------|----------------------|---------------------|
| TST-48SD-D2R(L)-FB-N | 1 | 2 | 11.1 | 1 | 12 | 1/5 | 6.5 | 273 | 48 1/4 X 30 X 37 |

Model : TST-48SD-D2R(L)-FB-N

| ELECTRICAL DATA | |
|----------------------------|--|
| Voltage | 115/60/1 |
| Plug Type |  NEMA 5-15P |
| Full Load Amperes | 6.5 |
| Compressor HP | 1/5 |
| Cord Length (ft.) | 10 |
| Refrigerant | R-290 |
| DIMENSIONAL DATA | |
| Ext. Length Overall (in.) | 48 1/4 (1225mm) |
| Ext. Depth Overall (in.) | 30 (762mm) |
| Ext. Height Overall (in.)† | 37 (939mm) |
| # of Doors | 2 |
| # of Shelves | 1 |
| # of Pans | 12 |
| # of Hood | 1 |
| Net Capacity (cu. ft.) | 11.1 |
| Shelf Size (L x D) (in.) | 21 x 17 |
| Net Weight (lbs.) | 243 |
| Gross Weight (lbs.) | 273 |

Design and specifications subject to change without notice.
Actual shipping weight may differ due to extra packing materials for product protection.
† Height does not include 5-1/8" for caster height.

■ WARRANTY : 5 Year Parts and Labor Warranty 7 Year Compressor Warranty

■ STANDARD FEATURES

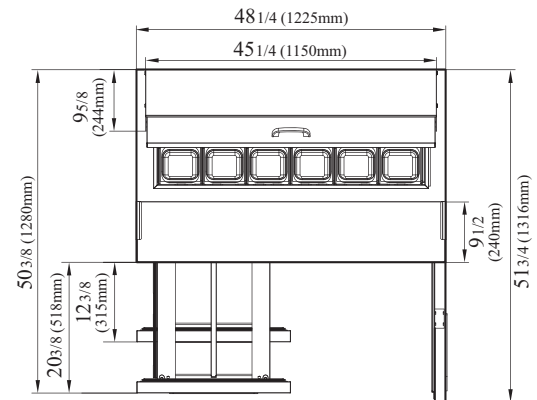
- *Anti-corrosion coated evaporator*
- *Self-contained system*
- *4" dia. swivel casters with locks on the front set*
- *1/6 size, 4" deep condiment pans included*

■ OPTIONAL ACCESSORIES

- 1" caster, 1/2" diameter & 13 TPI: S2R813660 (non-brake)
- 2.5" caster, 1/2" diameter & 13 TPI: 30265H0100 (non-brake), 30265H0200 (w/ brake)
- 5" caster, 1/2" diameter & 13 TPI: M726500100 (non-brake), M726500200 (w/ brake)
- Leveling leg, 1/2" - 13 TPI x 1.54": LFM1213566
- 6" ABS plastic leg: 30221M0200
- 6" stainless steel leg: 30221M0600
- Additional stainless steel shelf: M727800100
- Removable food cover: RCT-48
- Clear lid: CL-48
- Single overshef, stainless steel, 48-3/8" W: TSOS-4S
- Double overshef, stainless steel, 48-3/8" W: TSOS-4R-T

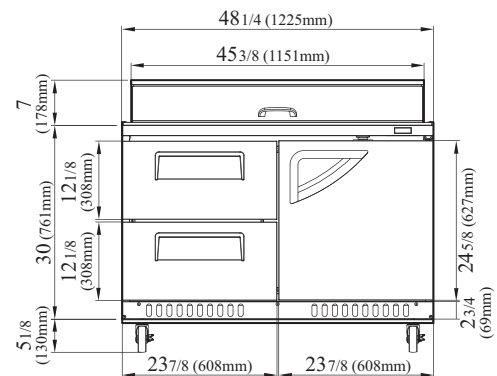
PLAN VIEW

(unit : inch)



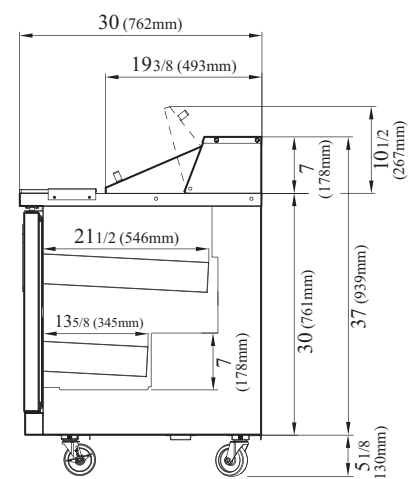
TST-48SD-D2R-FB-N

TOP VIEW



TST-48SD-D2R-FB-N

FRONT VIEW



SIDE VIEW

Ver.20230816



- Turbo Air : 800-627-0032
- GK : 800-500-3519
- Warranty : 800-381-7770
- AC : 888-900-1002

