

15" Dispensers

CDE215H: Tap 1: Nitro Coffee • Tap 2: Still Coffee

CDE215F: Tap 1: Beer



Coffee dispensers utilize patent-pending technology trusted by America's largest coffee chain



CDE215H

CDE215F

Project:	Notes:
----------	--------

Features and Specifications

Includes: refrigeration cabinet, dispensing tower, tubing, hardware, black tap handles, drip tray, and casters		
Convection cooling system provides a quick cool down and consistent temperature		
Stainless steel cabinet, grille, and full-wrap door		
Full-depth lower interior with an interior volume of 3.6 cu ft		
Removable lower interior stainless steel liner		
CDE215H holds up to one 5 gallon cornelius keg & one 10 lb / 38 cu ft nitro tank		
CDE215F holds up to one 1/6 barrel & one 10 lb / 38 cu ft CO ² tank		
Cabinet Dimensions: 34 1/2" H x 15" W x 25 15/16" D (see diagram for tower heights)		
Temperature range: 34°F - 60°F		
Designed for built-in or freestanding applications		
High efficiency variable speed compressor with 1.2 running amps		
Environmentally friendly R600a refrigerant	CDE215H: (1.06 oz)	CDE215F: (1.23 oz)

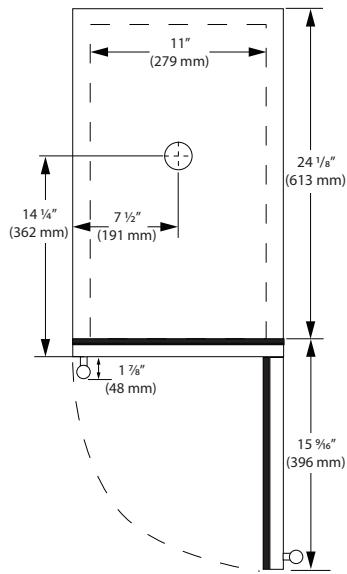
Model Details

Model	Description	Voltage/Hz	Shipping Weight
UCDE215HSS03A	Cold Coffee 2 Dispenser 15" Reversible Hinge Stainless Solid	115v / 60hz	86 lb
UCDE215FSS03A	Beer 1 Dispenser 15" Reversible Hinge Stainless Solid	115v / 60hz	80 lb

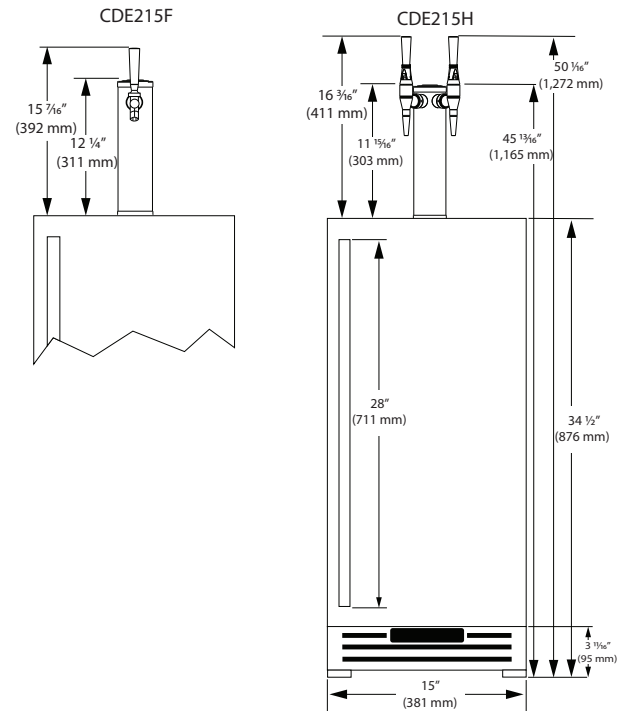
Accessories

Model	Description	Shipping Weight
ULANITROTANK	22 cu ft Aluminum Nitro Tank	5 lb
ULACOFFEEKEG	2.5 gal Coffee Keg	6 lb
ULANITROREG	Nitrogen Regulator	3 lb
ULACOFFEECLEAN	Coffee Dispenser Cleaner (1 Box of 5 Packets)	1 lb

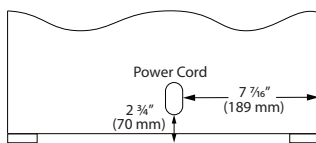
Top



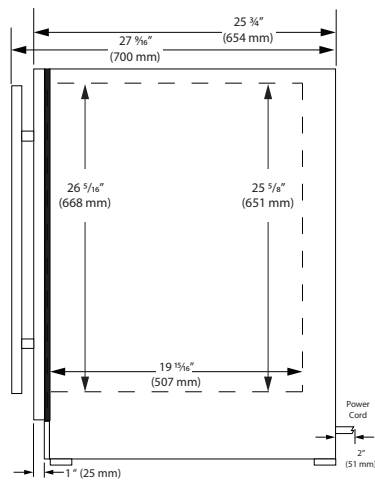
Front



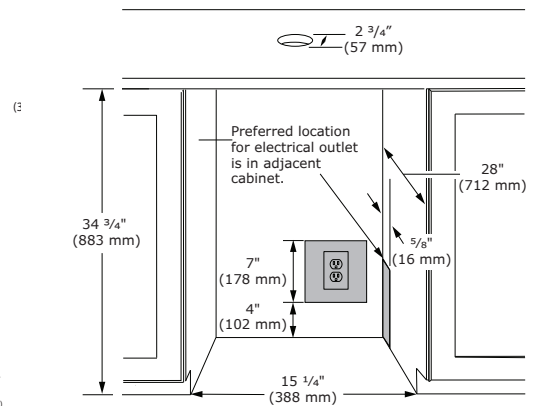
Back



Side



Cabinet Cut-Out



Commercial Warranty

1 Year (parts & labor) / 5 year sealed system (parts)
See complete warranty for details

Installation Notes

- Power cord extends 2" beyond total depth
- No additional clearance is needed for ventilation
- Do not obstruct front grille air flow