

24" Dispensers

- CDE224B:** Tap 1 & 2: Nitro Coffee • Tap 3: Still Coffee
- CDE224C:** Tap 1 & 2: Nitro Coffee • Tap 3 & 4: Still Coffee
- CDE224D:** Tap 1: Beer • Tap 2: Beer
- CDE224E:** Tap 1: Nitro Coffee • Tap 2: Still Coffee • Tap 3: Wine • Tap 4: Beer



CDE224B

CDE224C

CDE224D

CDE224E



Coffee dispensers utilize patent-pending technology trusted by America's largest coffee chain

Project:	Notes:
----------	--------

Features and Specifications

Includes: refrigeration cabinet, dispensing tower, tubing, hardware, black tap handles, drip tray, and casters
Convection cooling system provides a quick cool down and consistent temperature
Stainless steel cabinet, grille, and full-wrap door
Full-depth lower interior with an interior volume of 6.3 cu ft
Removable lower interior stainless steel liner
CDE224B holds up to three 5 gallon cornelius kegs & one 10 lb / 38 cu ft nitro tank
CDE224C holds up to four cornelius kegs (two 5 gallon and two 3 gallon) & one 10 lb / 38 cu ft nitro tank
CDE224D holds up to one ½ barrel or three ¼ barrels & one 5 lb / 22 cu ft CO ² tank
CDE224E holds up to one 5 gallon cornelius keg, one ¼ barrel, one ¼ slim barrel, & two 5 lb / 22 cu ft tanks (one CO ² one nitro)
Cabinet Dimensions: 34 ½" H x 23 5/8" W x 23 1/8" D (see diagram for tower height)
Temperature range: 34°F – 60°F
Designed for built-in or freestanding applications
High efficiency variable speed compressor with 1.2 running amps
Environmentally friendly R600a refrigerant (1.23 oz)

Model Details

Model	Description	Voltage/Hz	Shipping Weight
UCDE224BSS03A	Cold Coffee 3 Dispenser 24" Reversible Hinge Stainless Solid	115v / 60hz	134 lb
UCDE224CSS03A	Cold Coffee 4 Dispenser 24" Reversible Hinge Stainless Solid	115v / 60hz	134 lb
UCDE224DSS03A	Beer 2 Dispenser 24" Reversible Hinge Stainless Solid	115v / 60hz	134 lb
UCDE224ESS03A	Cold Coffee, Beer, Wine 4 Dispenser 24" Reversible Hinge Stainless Solid	115v / 60hz	134 lb

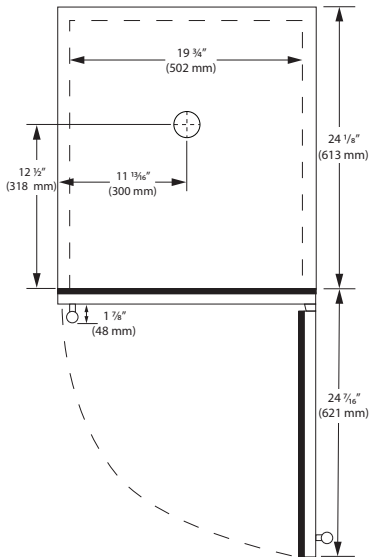
Accessories

Model	Description	Shipping Weight
ULANITROTANK	22 cu ft Aluminum Nitro Tank	5 lb
ULACOFFEEKEG	2.5 gal Coffee Keg	6 lb
ULANITROREG	Nitrogen Regulator	3 lb
ULACOFFEECLEAN	Coffee Dispenser Cleaner (1 Box of 5 Packets)	1 lb

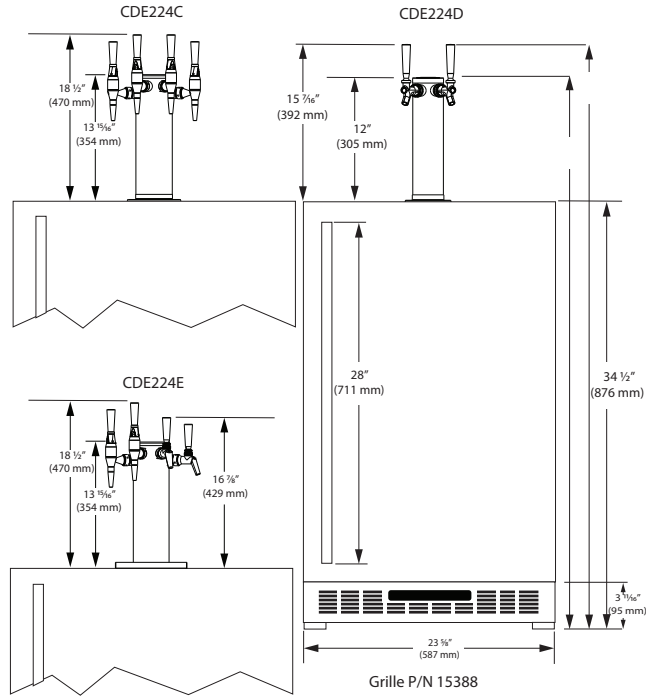


Product Specifications • 24" Dispensers

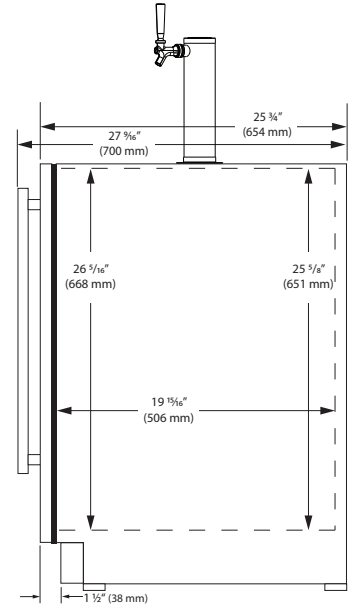
Top



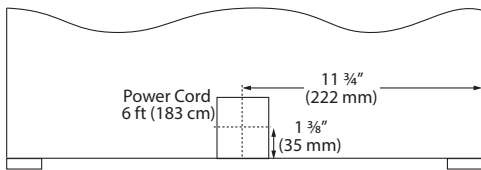
Front



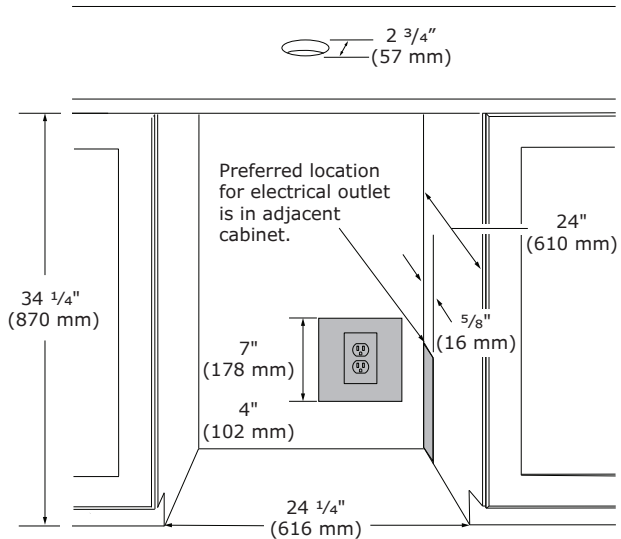
Side



Back



Cabinet Cut-Out



Commercial Warranty

1 Year (parts & labor) / 5 year sealed system (parts)
See complete warranty for details

Installation Notes

- Power cord extends 2" beyond total depth
- No additional clearance is needed for ventilation
- Do not obstruct front grille air flow